

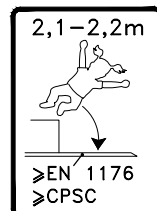
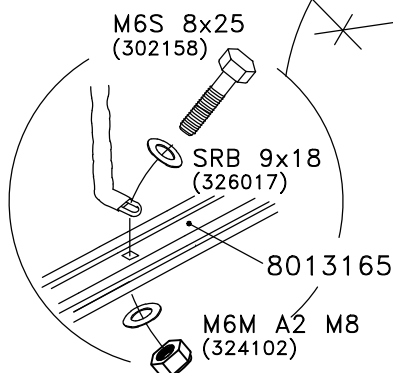
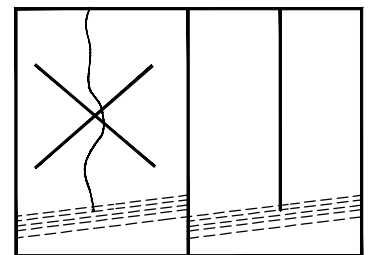
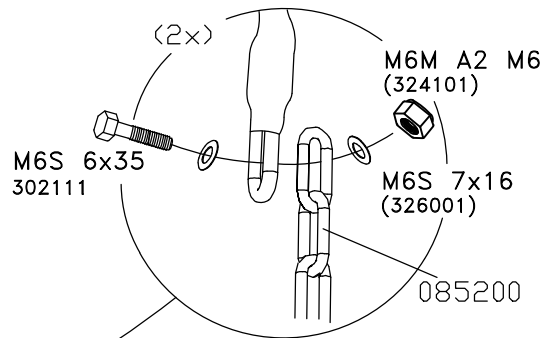
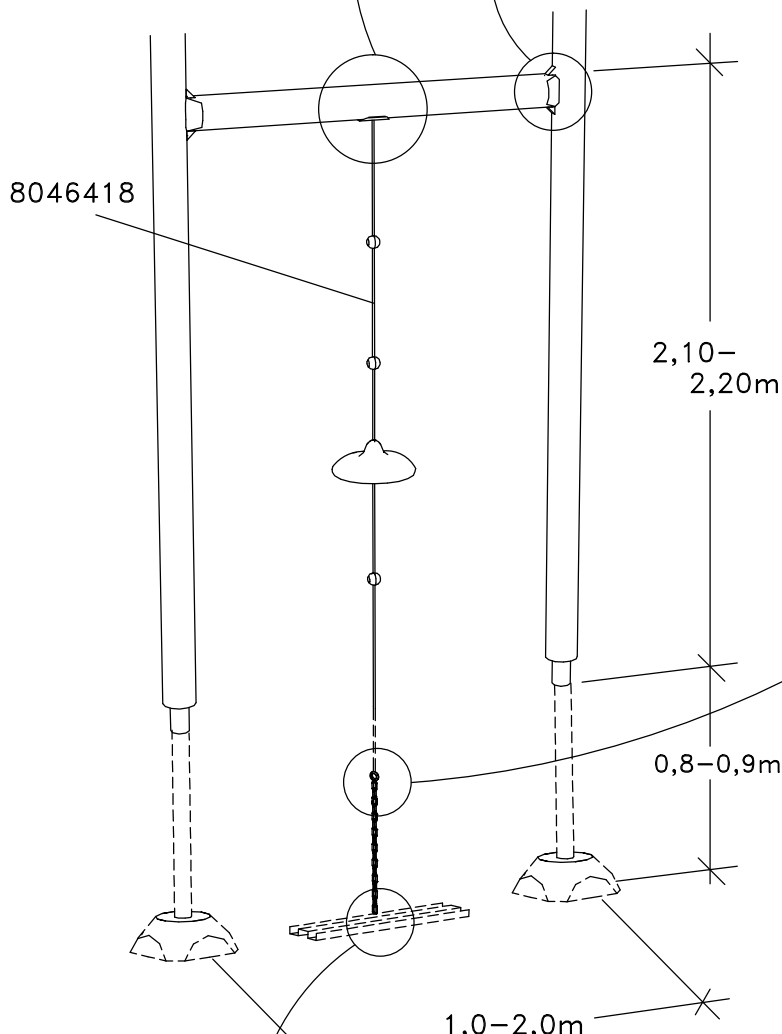
TYPE	HAGS.NO	
	8046418	
	0,62m	8013165
	0,45m	8000301

Ø7,3  
250  
MAX 400rpm

(4X)

Screw thr-forming  
M8x25-8.8-(ISO7380)  
(8008506)

MA45060310



**HAGS** ANEBY, SWEDEN  
+46(0)380-47300  
www.hags.com

Button Seat, BM, Steel Post  
454 718 10  
1(1)