

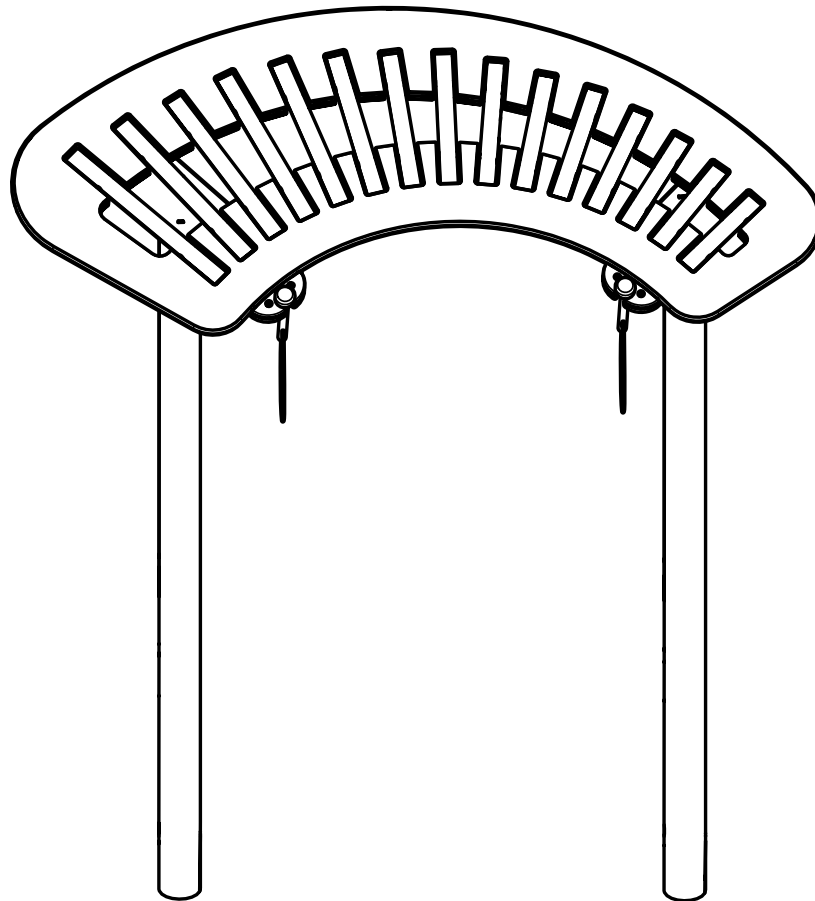
# concerto™

## Installation Instructions

Models ZZXX0666, ZZXX0666S,  
450-2, 450-2BD and 200203438

Concerto™ Vibes

In-ground and Surface Mount Models

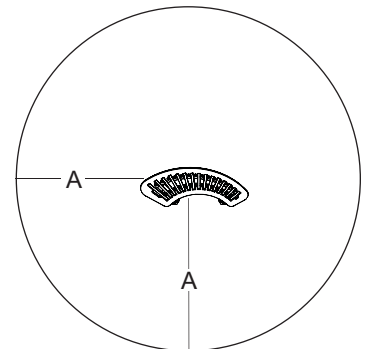


Assembly View (representative model)

### Installation Preparation

Recommended Crew: ..... Two (2) adults  
Installation Time: ..... 2 man-hours (In-ground)  
Installation Time: ..... 1 man-hour (Surface Mount)  
Concrete Required: ..... 0.26 cubic yard (0,20 cubic meters)  
User Group Age (years): ..... ASTM: 2-12, EN: 2-14

**Important Note:** To meet CSA Compliance, mallets **must** be removed.

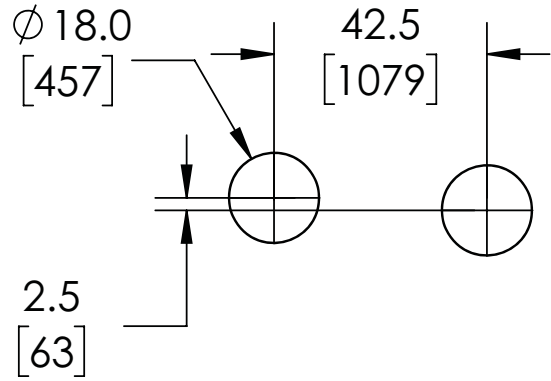


Equipment Use Zone  
A - (ASTM): 72 in. (1830 mm)  
(CSA): 1800 mm  
(EN): 1500 mm

# Installation Instructions

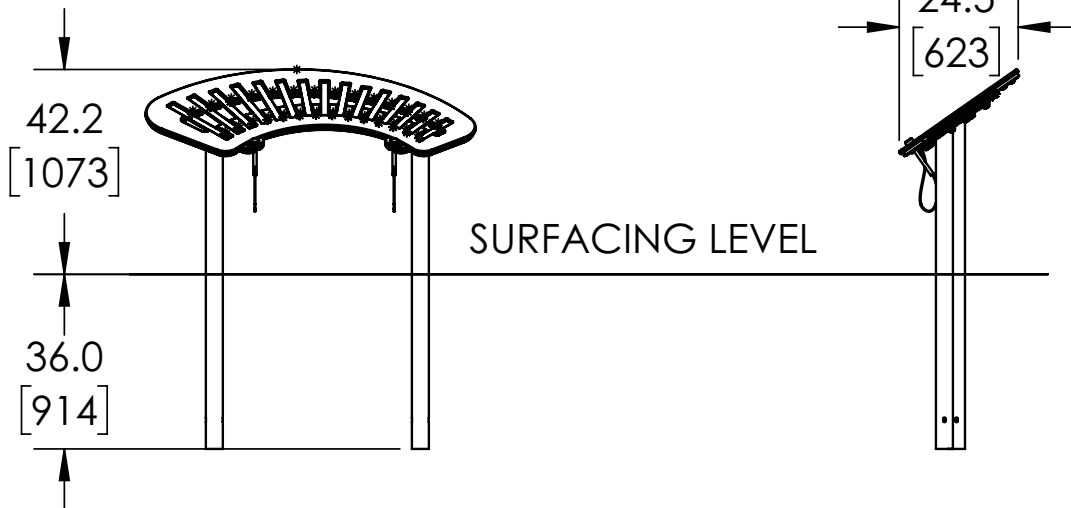
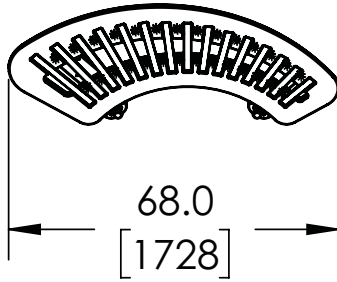
## KEY

Position	Unit of Measurement
Top #	Inches
Bottom #	[Millimeters]



Footing Diagram

Top View

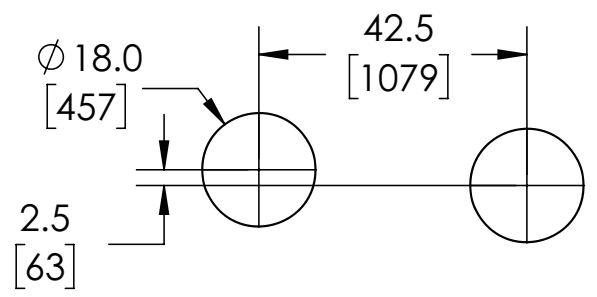


Elevation Views

ZZXX0666, 450-2 and 200203438

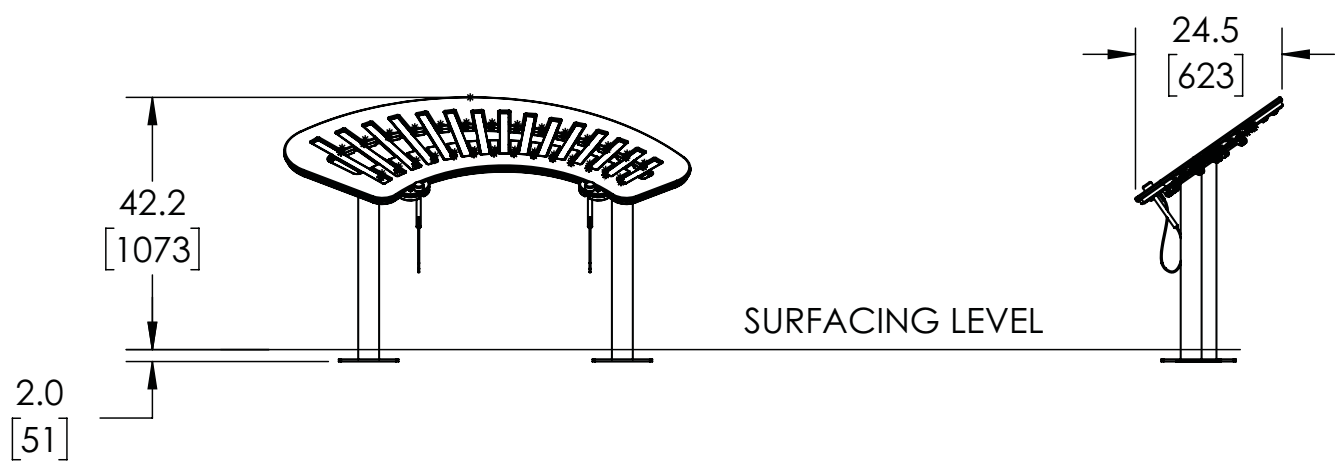
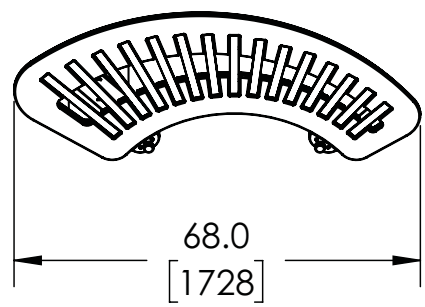
# Installation Instructions

KEY	
Position	Unit of Measurement
Top #	Inches
Bottom #	[Millimeters]



Footing Diagram

Top View

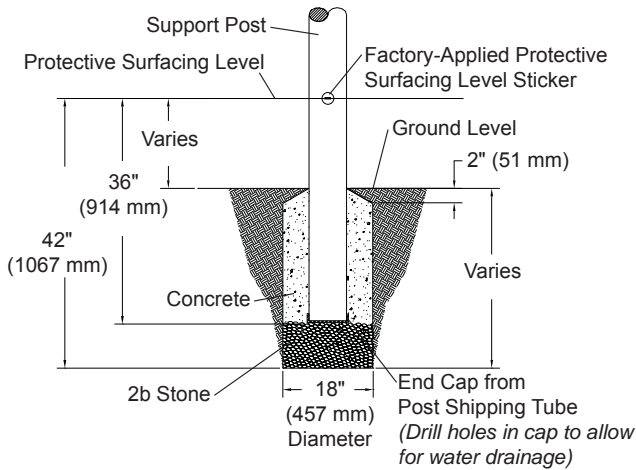


SURFACING LEVEL

Elevation Views  
ZZXX0666S, 450-2BD and 200203438

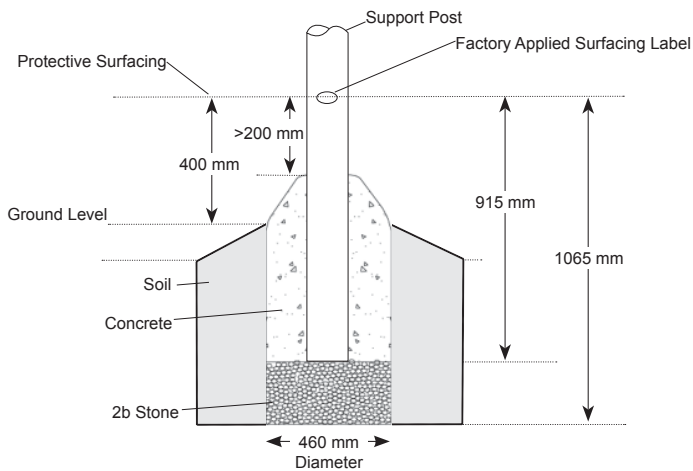
# Installation Instructions

## IN GROUND FOOTING DIAGRAMS: ASTM / CSA



Support Post Footing Detail (ASTM/CSA)

## IN GROUND FOOTING DIAGRAMS: EN (EUROPE ONLY)



Footing Detail Support Post (EN)

## FOOTING NOTES

- Support post footing depth equals 42 in. (1067 mm) less the depth of the protective surfacing material. The post is designed to have 24" (610 mm) in concrete.

*Example:* If 12 in. (305 mm) of wood mulch is used for surfacing, the footing depth would be 30 in. (762 mm).

- Most support posts and component support legs will have either a factory-applied sticker with line, or factory-applied mark designating protective surfacing level on a clear and level installation site.

- If play structure is installed on uneven terrain, maintain support post mark at protective surfacing level at lowest grade. Adjust other footings accordingly. Support posts and all attaching decks and play components must be plumb and level.

- Do not encase bottom of support post in concrete. Place post directly on packed stone.

- The footings shown on this documentation are recommendations based on historical performance in average soil conditions. Footing dimensions may be modified by the owner based on actual soil conditions.

For example:

- If local soil is loose or unstable, a larger footing may be required.

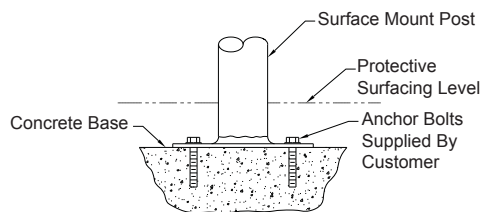
- If local soil is considered stable, such as bedrock, clay or hard packed earth, a smaller footing may be used. Before changing footing dimensions, we strongly recommend that the footings be reviewed and approved by a registered engineer.

- Base of footing must be below frost line.

- Assemble the entire structure before pouring concrete unless specifically instructed to do so in the individual component installation instructions.

# Installation Instructions

## SURFACE MOUNT FOOTING DIAGRAMS: SUPPORT POSTS AND COMPONENTS



Surface Mount Footing Detail

### DEFINITIONS

- **Concrete Pier:** A pier type surface mount installation is defined as a footing hole that has been excavated and poured with concrete. Concrete should be flush to the top surface of excavated hole. Equipment would then be secured to this concrete footing that has been properly cured.
- **Concrete Slab:** Existing concrete slab type installation is defined as equipment being secured to an existing concrete pad or slab. As an example, this pad could be in the form of an existing concrete parking lot.

### FOOTING NOTES: PIER TYPE SURFACE MOUNT

- Most support posts and component support legs will have either a factory-applied sticker with line, or factory-applied mark designating protective surfacing level on a clear and level installation site.
- If play structure is installed on uneven terrain, maintain support post mark at protective surfacing level at lowest grade. Adjust other footings accordingly. Support posts and all attaching decks and play components must be plumb and level.
- Footing size may vary due to local soil and weather conditions.
- Base of footing must be below frost line.








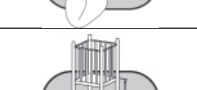
### FOOTING NOTES: EXISTING CONCRETE SLAB TYPE SURFACE MOUNT

- Most support posts and component support legs will have either a factory-applied sticker with line, or factory-applied mark designating protective surfacing level on a clear and level installation site.
- Support posts and all attaching decks and play components must be plumb and level.

**IMPORTANT NOTE: Surface mount hardware is not supplied. The customer is responsible for the concrete base and providing surface mount hardware as specified by a registered structural engineer for each specific project application.**

# Installation Instructions

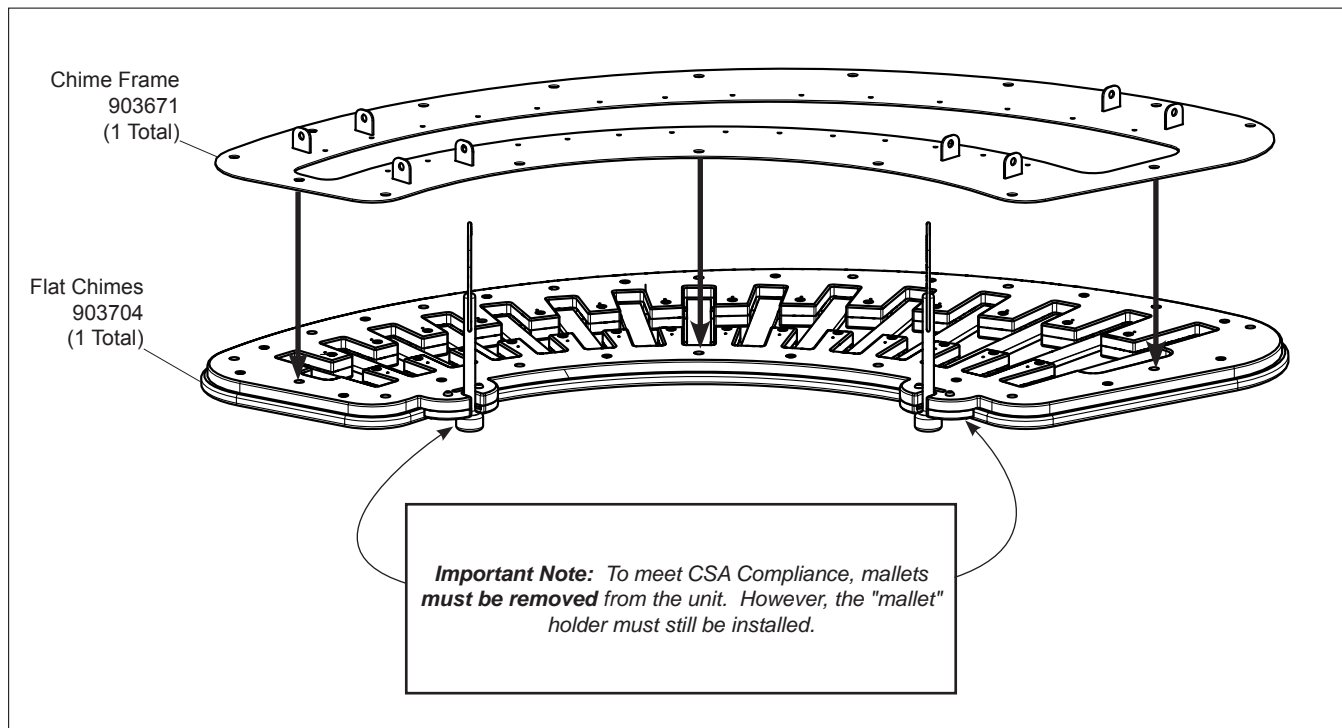
## ICON KEY

	Fully Tighten Hardware		Add 1 Drop of Thread Locking Adhesive
	Do <b>Not</b> Fully Tighten Hardware		Pour Concrete
	Drill		Dig Footing Holes
	Hammer		Critical Fall Height

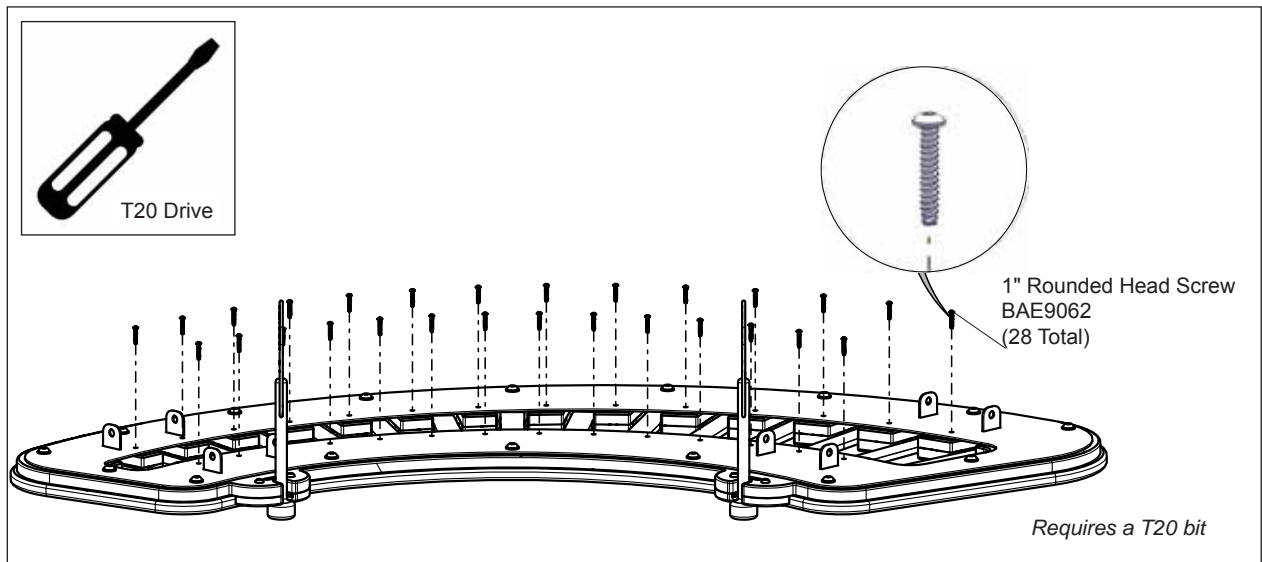
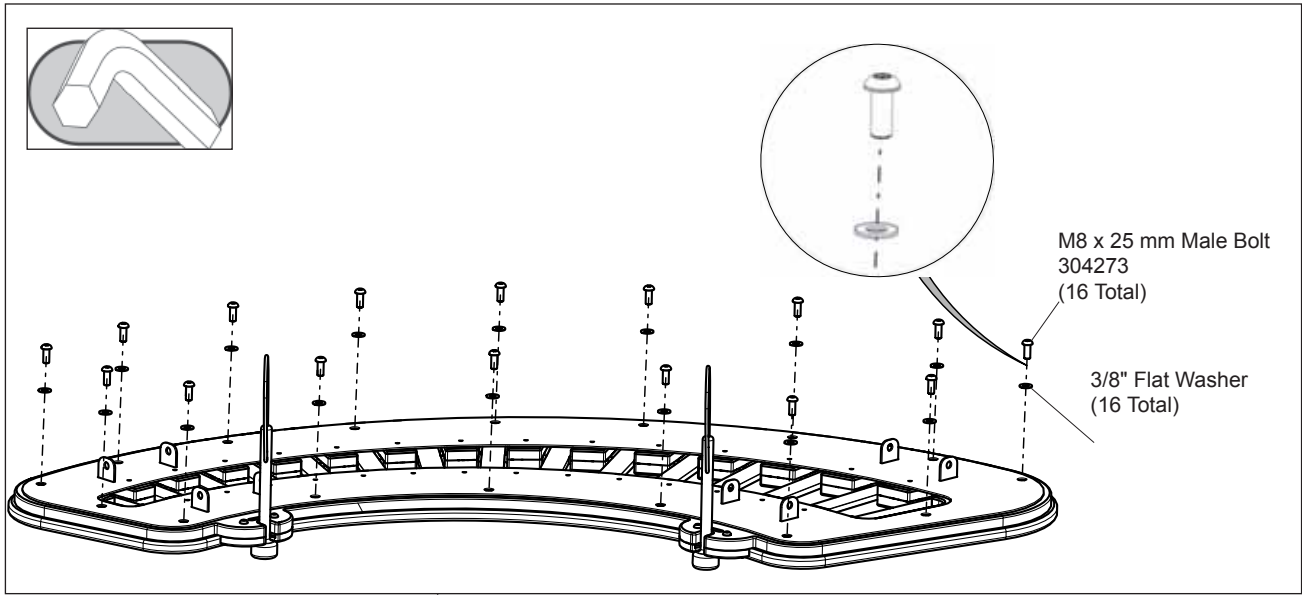
## Installation Instructions:

1. Prepare footings as shown on pages 4 and 5 of this document.
2. Assemble equipment as shown.
3. Place equipment in, or on, its footings and block and brace.
4. Plumb and level equipment and tighten all hardware.

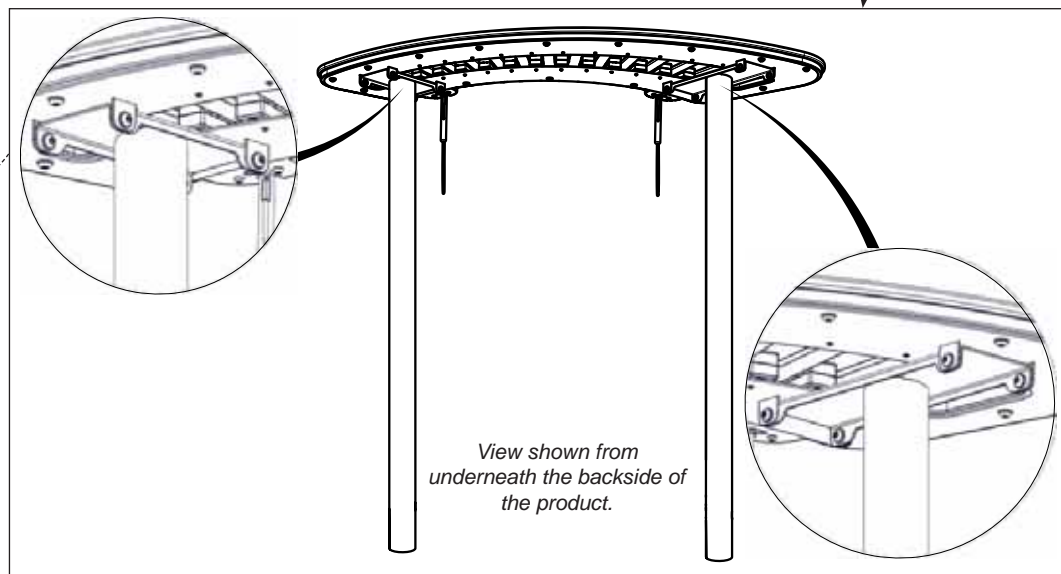
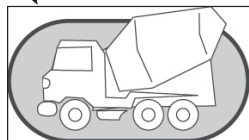
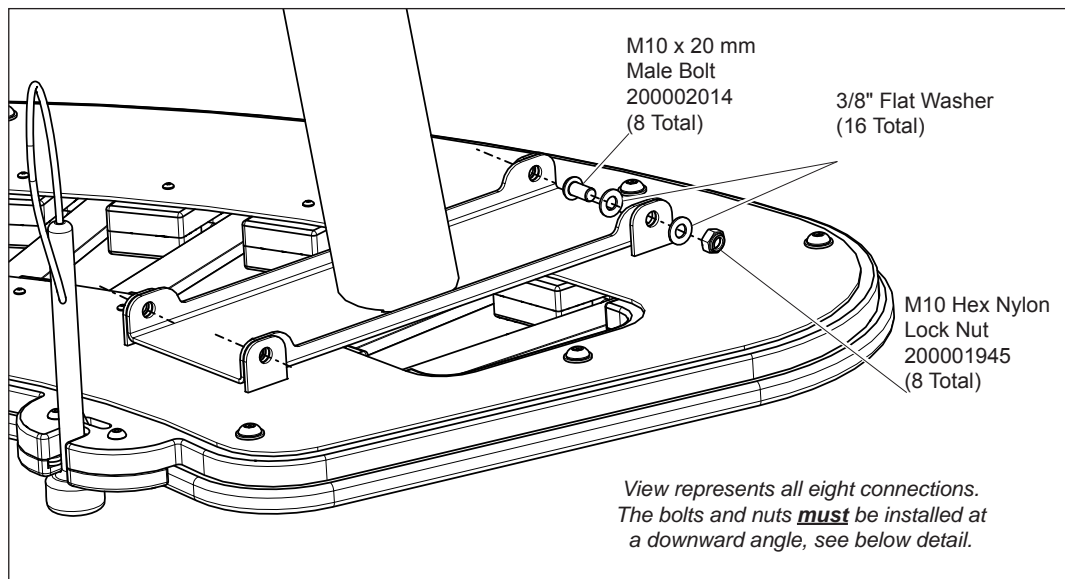
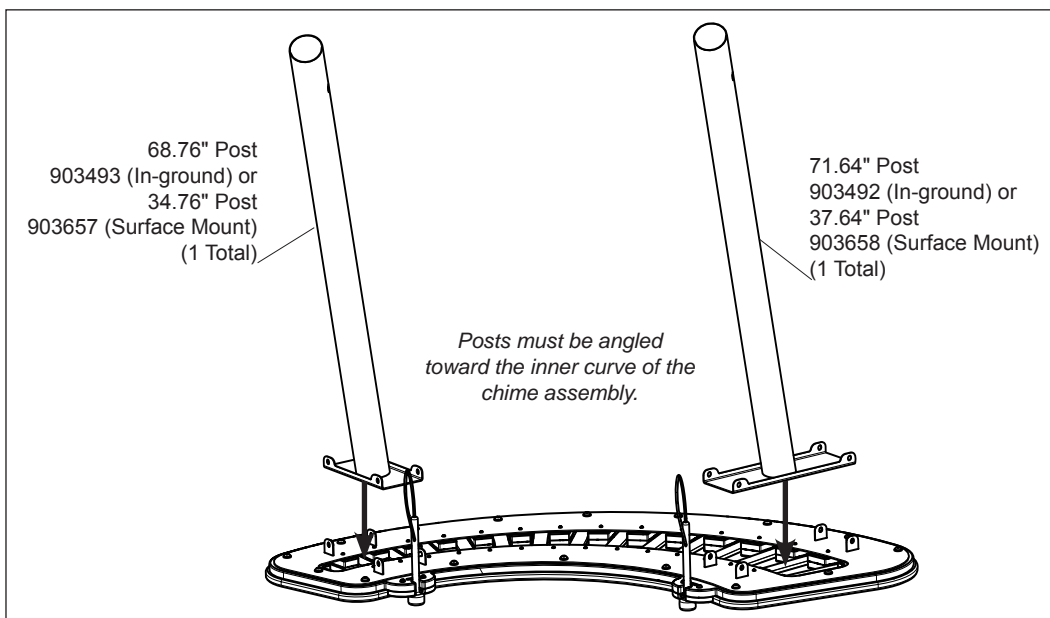
Place upside-down on ground for assembly.



# Installation Instructions



# Installation Instructions





## ZZXX0666, 450-2 AND 200203438 - CONCERTO VIBES IN-GROUND

PART NO.	DESCRIPTION	QTY.
903492	POST - 71.64" x 12.56" x 14.63"	1
903493	POST - 68.76" x 9.48" x 10.81"	1
903671	FRAME - CONCERTO FLAT CHIME	1
903704	FLAT CHIMES	1
200001945	NUT LOCK HEX NYLON INSERTED M10 x 1.5	8
200002014	BOLT M10 x 1.5 MALE 20 mm	8
200002018	BOLT M10 x 1.5 MALE 25 mm	16
BAE0595*	WASHER - 3/8" SAE FLAT	32
BAE9062	SCREW #8 x 1.00" ROUNDED HEAD TORX	28

## ZZXX0666S, 450-2BD AND 200203438 - CONCERTO VIBES SURFACE MOUNT

PART NO.	DESCRIPTION	QTY.
903657	POST - 34.76" x 10.81" x 10.00"	1
903658	POST - 37.64 x 12.67" x 14.78"	1
903671	FRAME - CONCERTO FLAT CHIME	1
903704	FLAT CHIMES	1
200001945	NUT LOCK HEX NYLON INSERTED M10 x 1.5	8
200002014	BOLT M10 x 1.5 MALE 20 MM	8
200002018	BOLT M10 x 1.5 MALE 25 MM	16
BAE0595*	WASHER - 3/8" SAE FLAT	32
BAE9062	SCREW #8 x 1.00" ROUNDED HEAD TORX	28

\*Some models may include part number 117005 in place of the BAE0595.

This page is  
intentionally left blank.

### Fasteners

- Inspect for loose fasteners.  
Tightening torque specifications are:  
Bolts and Nuts: Snug tighten and tighten an additional one-half turn.
- If during the maintenance process a bolt needs to be removed from a part or parts, it will be necessary to apply a drop of liquid thread lock / loctite to the bolt before reinstallation.
- Inspect for missing, worn or broken fasteners. If any missing, worn or broken fasteners are found, refer to the installation instructions for proper replacement fastener. If any damage is detected, barricade equipment to prevent use until repair is completed. Contact your sales representative immediately for a replacement part.

### Welds

- Inspect all welded joints. If any broken welds are detected, barricade equipment to prevent use until repair is completed. Contact your sales representative immediately for a replacement part.

### Finish

- Inspect metal parts for finish damage.  
To repair painted surfaces, sand damaged area with sandpaper and wipe clean. Mask area and paint with primer and allow to dry. Paint primed area with color-matching paint and allow to dry. Recoat area with color-matching paint if required. Drying time is approximately 8 hours between coats.

### Footings

- Inspect component to be solid in footing and secure. If any damage is detected, barricade equipment to prevent use until repair is completed.

### Surfacing

- Refer to the specific surfacing maintenance detail sheet for additional information.

### Replacement Parts

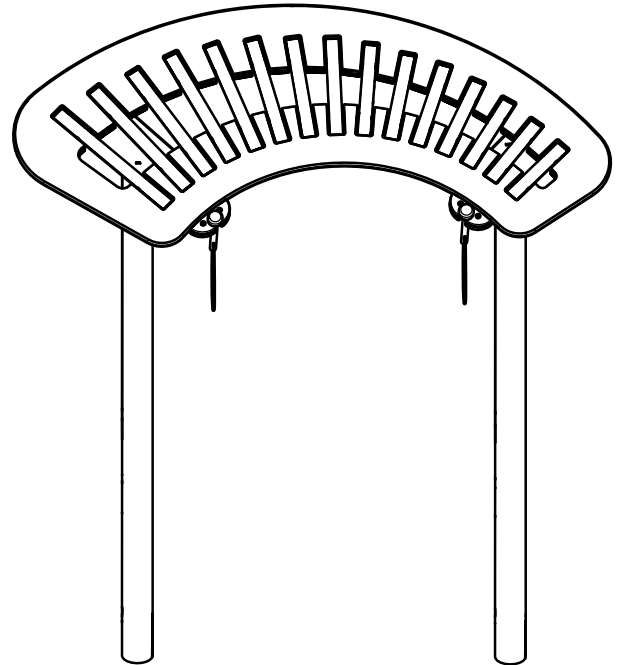
- Refer to your installation instructions to obtain replacement part number.
- Contact your sales representative or call Customer Service for a replacement part.

## Equipment Maintenance

Models ZZXX0666, ZZXX0666S,  
450-2, 450-2BD and 200203438

### Concerto Vibes

### In-ground and Surface Mount



Assembly View (*representative model*)

# Inspection Form

- Be sure that you are using a copy of this Inspection Form and not your original.
- Use the Inspection Codes listed below and record condition of equipment at time of examination on the Inspection Checklist.
- Document any item from the Inspection Checklist that will require maintenance along with any corrective action on the Maintenance Schedule.
- Be sure to include appropriate dates and signatures on each section to properly document maintenance procedure.

Inspection Codes	
P = Pass	F = Fail
NA = Not Applicable	

<b>INSPECTION CHECKLIST</b>	<b>Frequency</b>	<b>Inspection Code</b>	<b>Date</b>	<b>Date Repairs Completed</b>
Inspect plastic parts for damage.	Medium			
Inspect surfacing to insure proper depth and distribution.	High			
Inspect metal parts for structural and finish damage.	Medium			
Inspect for loose, missing, worn, or broken fasteners.	High			
Inspect footing to insure support is secure and footing is not damaged.	Low			

Inspector: Name (Please Print) \_\_\_\_\_ Signature: \_\_\_\_\_ Date: \_\_/\_\_/\_\_

<b>MAINTENANCE SCHEDULE</b>			
Item in Question	Description of Problem	Corrective Action	Date

Repairer: Name (Please Print) \_\_\_\_\_ Signature: \_\_\_\_\_ Date: \_\_/\_\_/\_\_