



26,0h



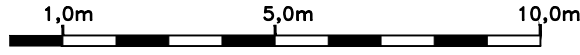
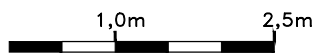
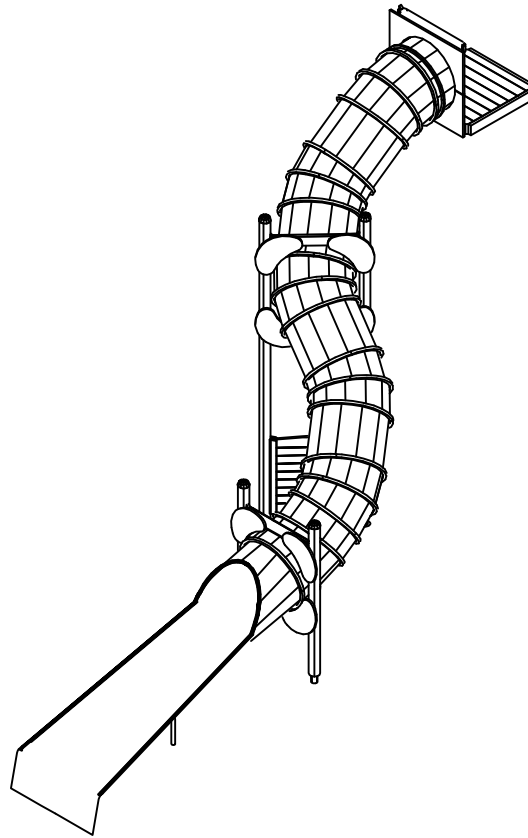
Varje vecka  
Every week  
Jede woche  
Chaque semaine

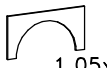
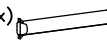
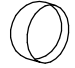










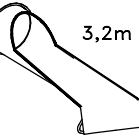


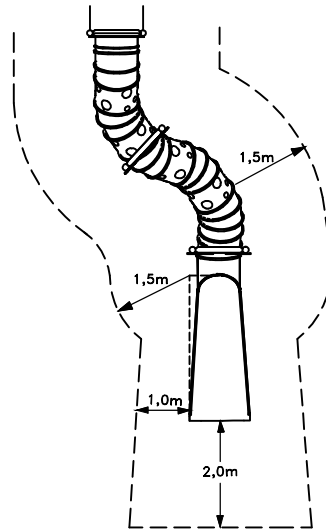
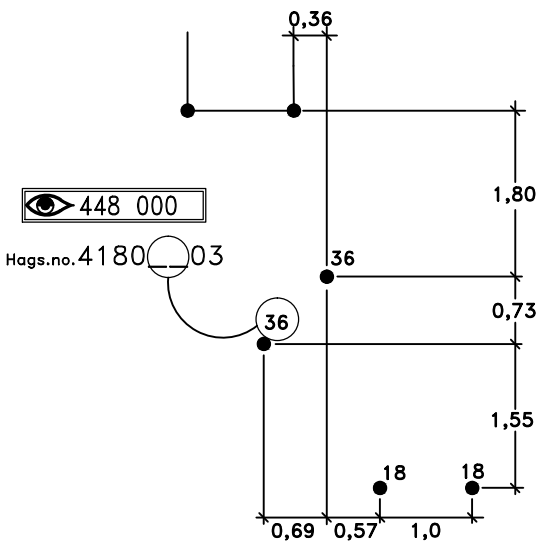
Varje säsong  
Every season  
Jedes Jahr  
Chaque saison



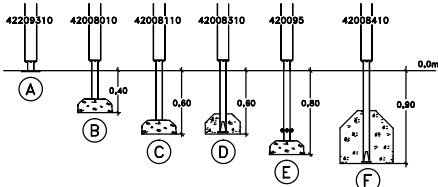
5-12



TYPE	HAGS.NO
 (2x) 1,05x0,52m	153341 153841 153851
(5x)  0,89m	41832103
	153802
 (2x)	153837
 0,91m	416372
 (36x)	153836
 (2x)  15°	153803
 (8x)	153852
 (10x)  15°	153834
	153833
 (4x) 0,58m	153828
 3,2m	153849 153859



42008010

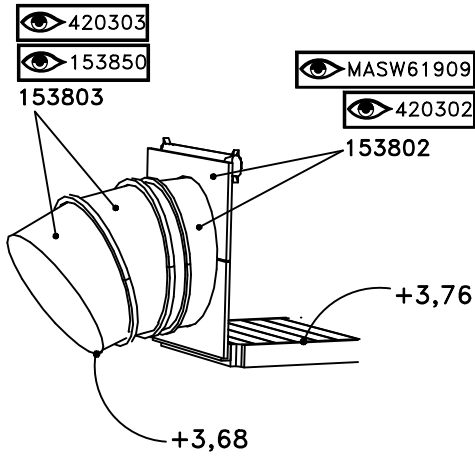


**HAGS** ANEBY, SWEDEN  
+46(0)380-47300  
www.hags.com  
422 358 03

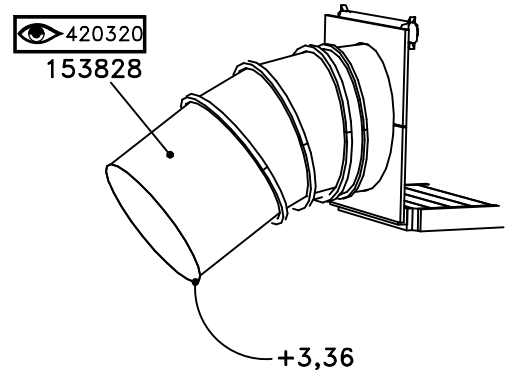
**HAGS** ANEBY, SWEDEN  
+46(0)380-47300  
www.hags.com  
424 358 03

**HAGS** ANEBY, SWEDEN  
+46(0)380-47300  
www.hags.com  
Tubular Slide - Wooden Post  
420 358 03  
1(3)  
TJ ToB 2017-09-06 1

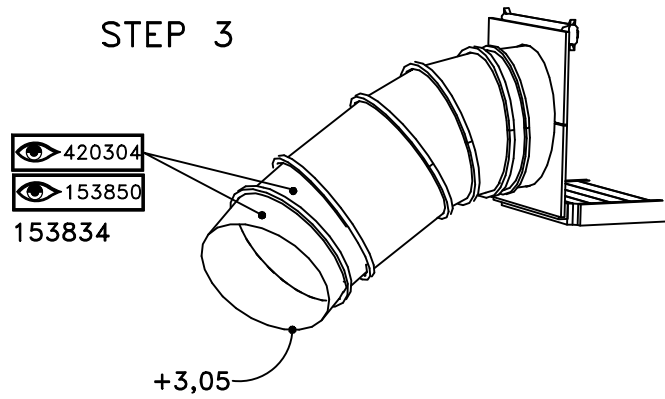
STEP 1



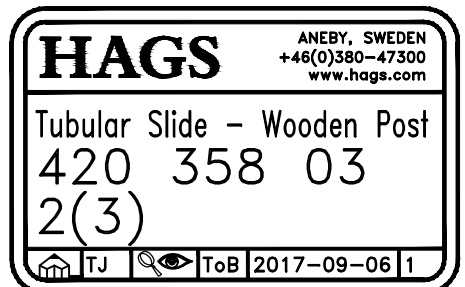
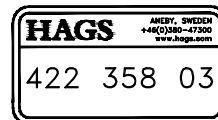
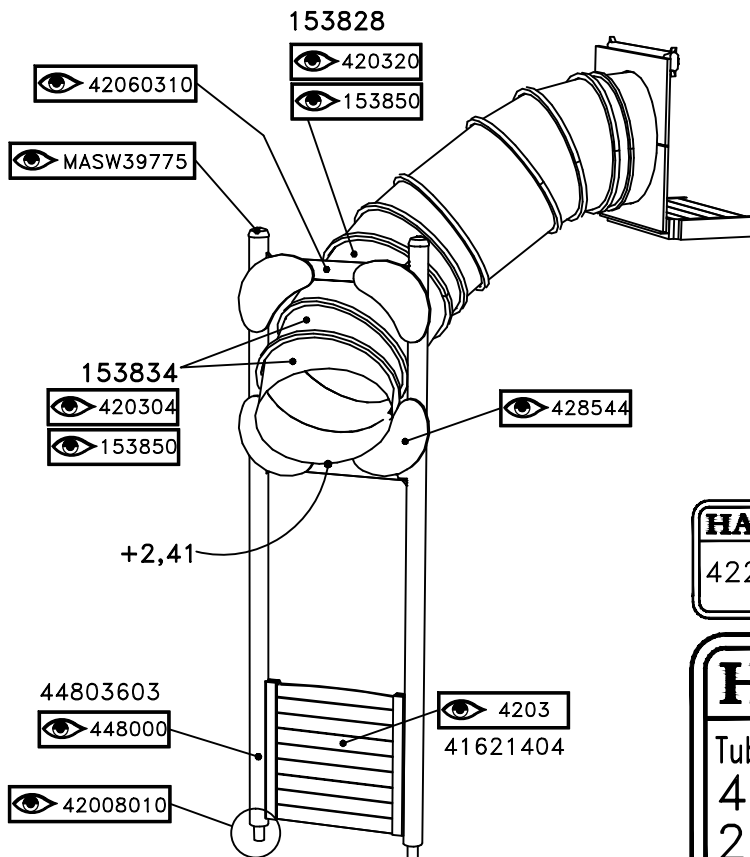
STEP 2



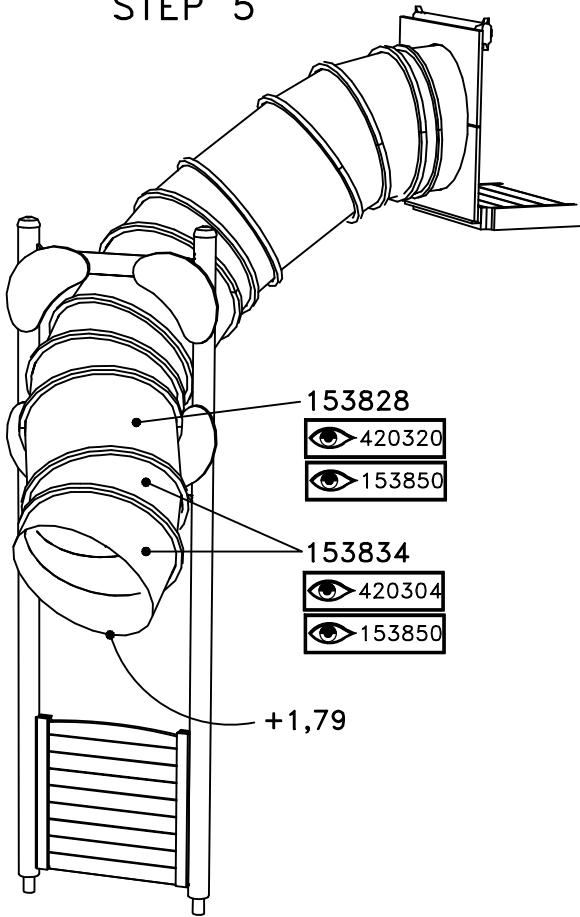
STEP 3



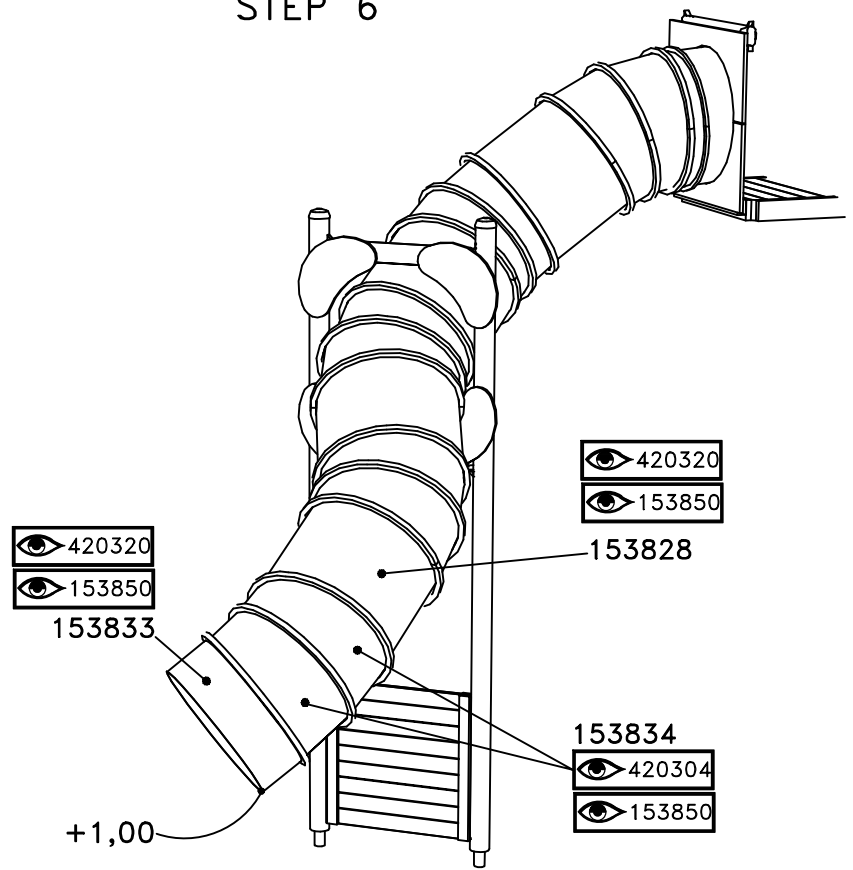
STEP 4



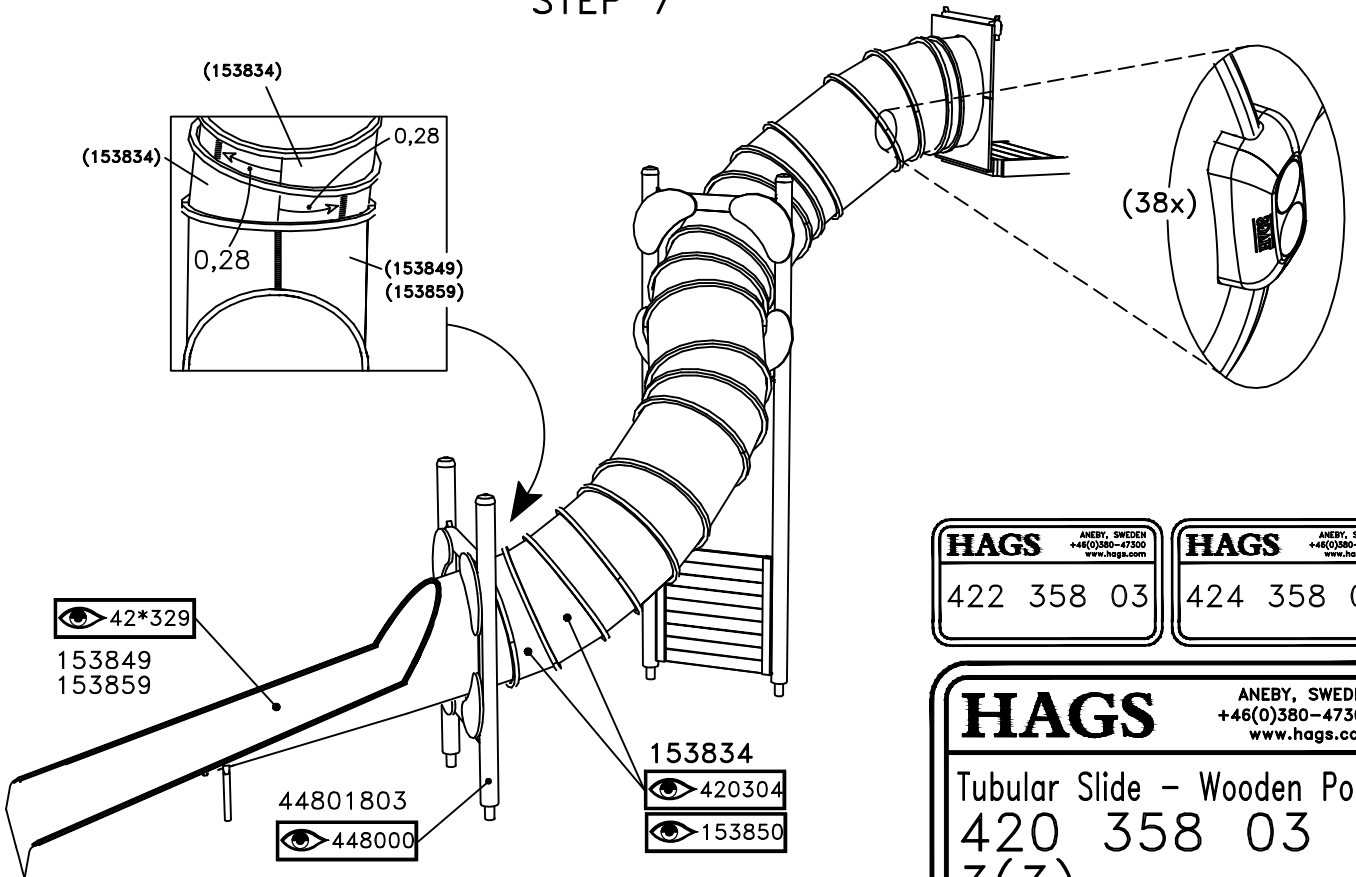
STEP 5



STEP 6



STEP 7



\* = 0, 2, 4

<b>HAGS</b> ANEBY, SWEDEN +46(0)380-47300 www.hags.com	<b>HAGS</b> ANEBY, SWEDEN +46(0)380-47300 www.hags.com
422 358 03	424 358 03

<b>HAGS</b>	ANEBY, SWEDEN +46(0)380-47300 www.hags.com
Tubular Slide - Wooden Post	
420 358 03	
3(3)	
🏠 TJ	🔍 ToB 2017-09-06 1