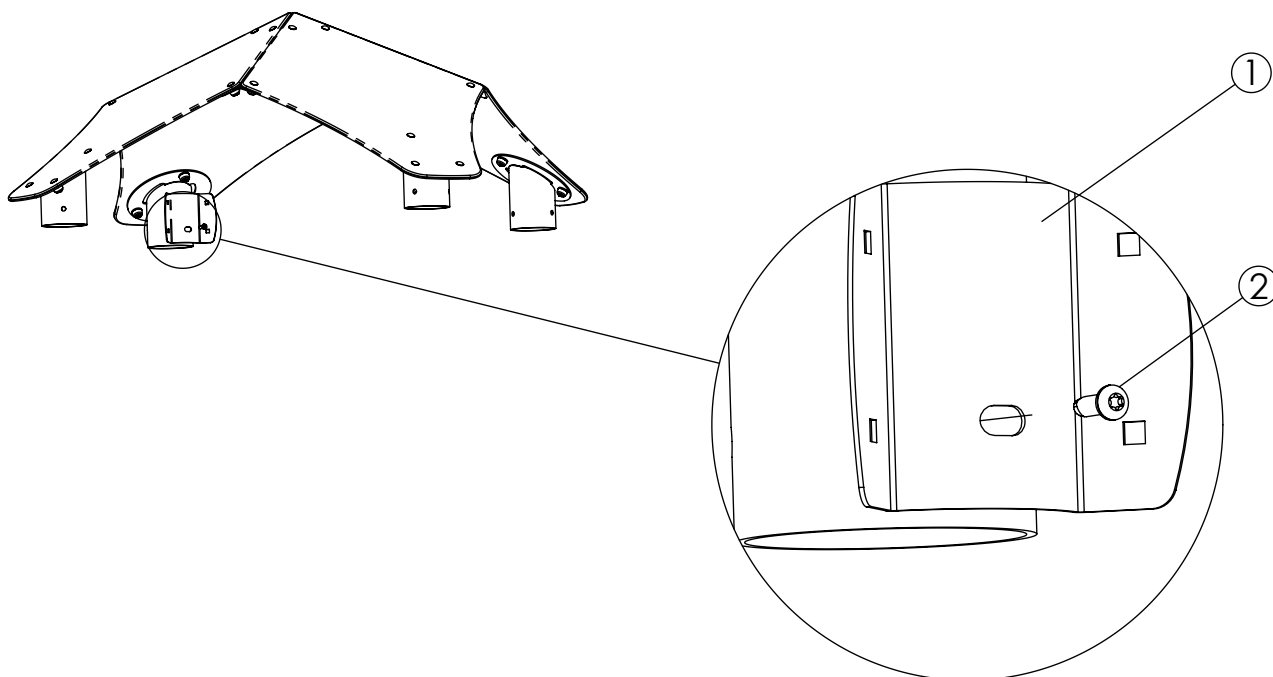
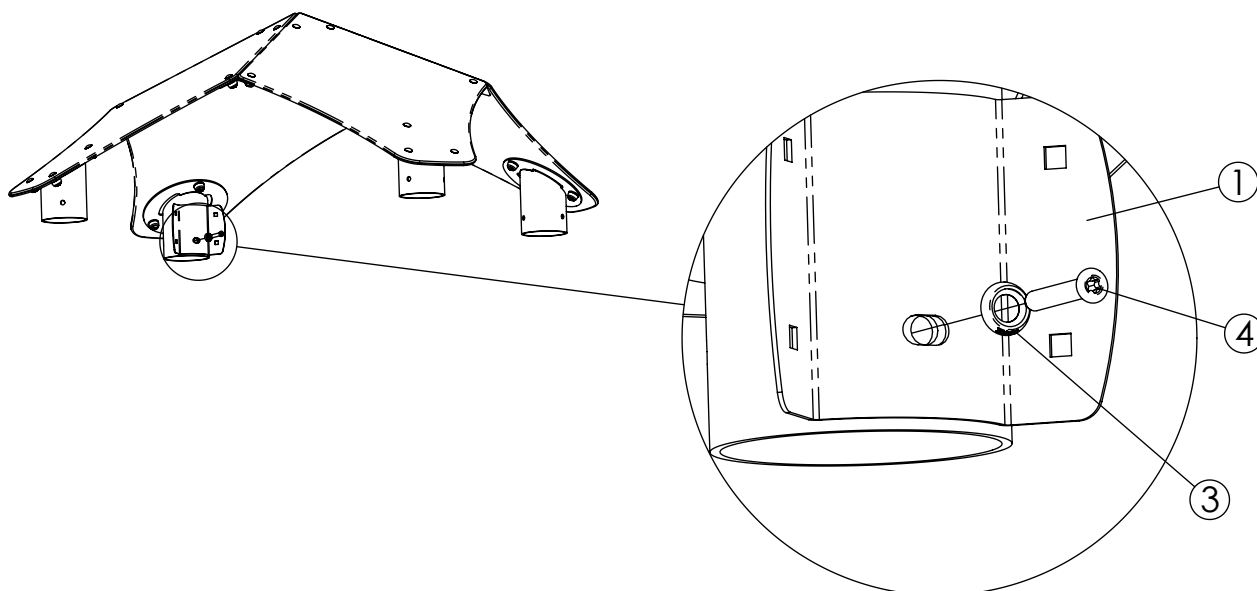


1A STEEL POST



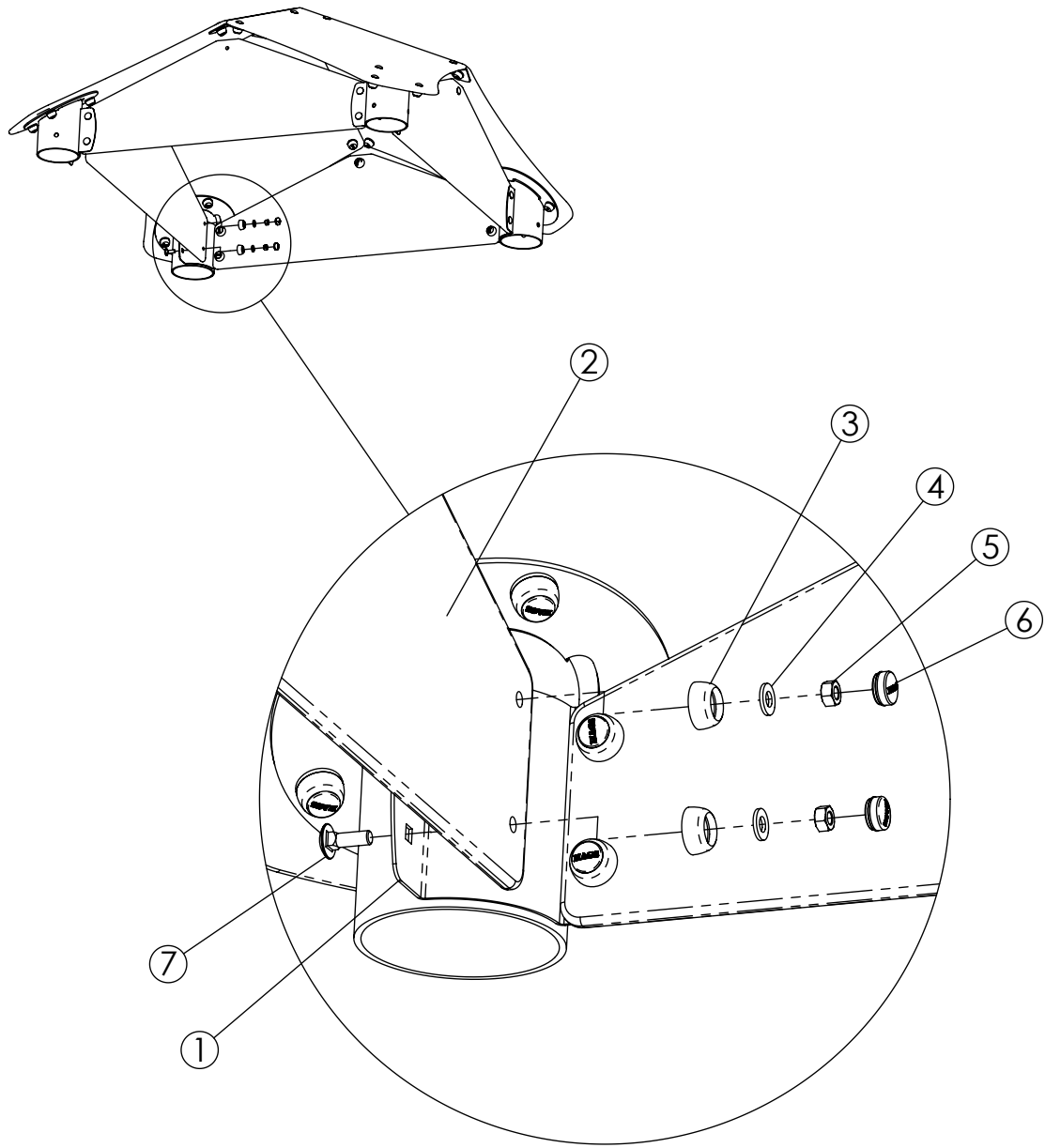
1B WOODEN POST



NR.	Description MA	Item Number	Qty
1	155x130	8058005	4
2	Screw, thr-forming M8x25-8.8-(ISO7380)	8008506	4
3	Ø21.4 x Ø11 x 4,7 mm	8035288	4
4	Screw, wood, TKFT-8x60-8.8	8008646	4

HAGS		ANEBY, SWEDEN +46(0)380-47300 www.hags.com	
Top barrier			
MASW51857			
1 (3)			
	Tek		ToB
			2018-06-14
			3

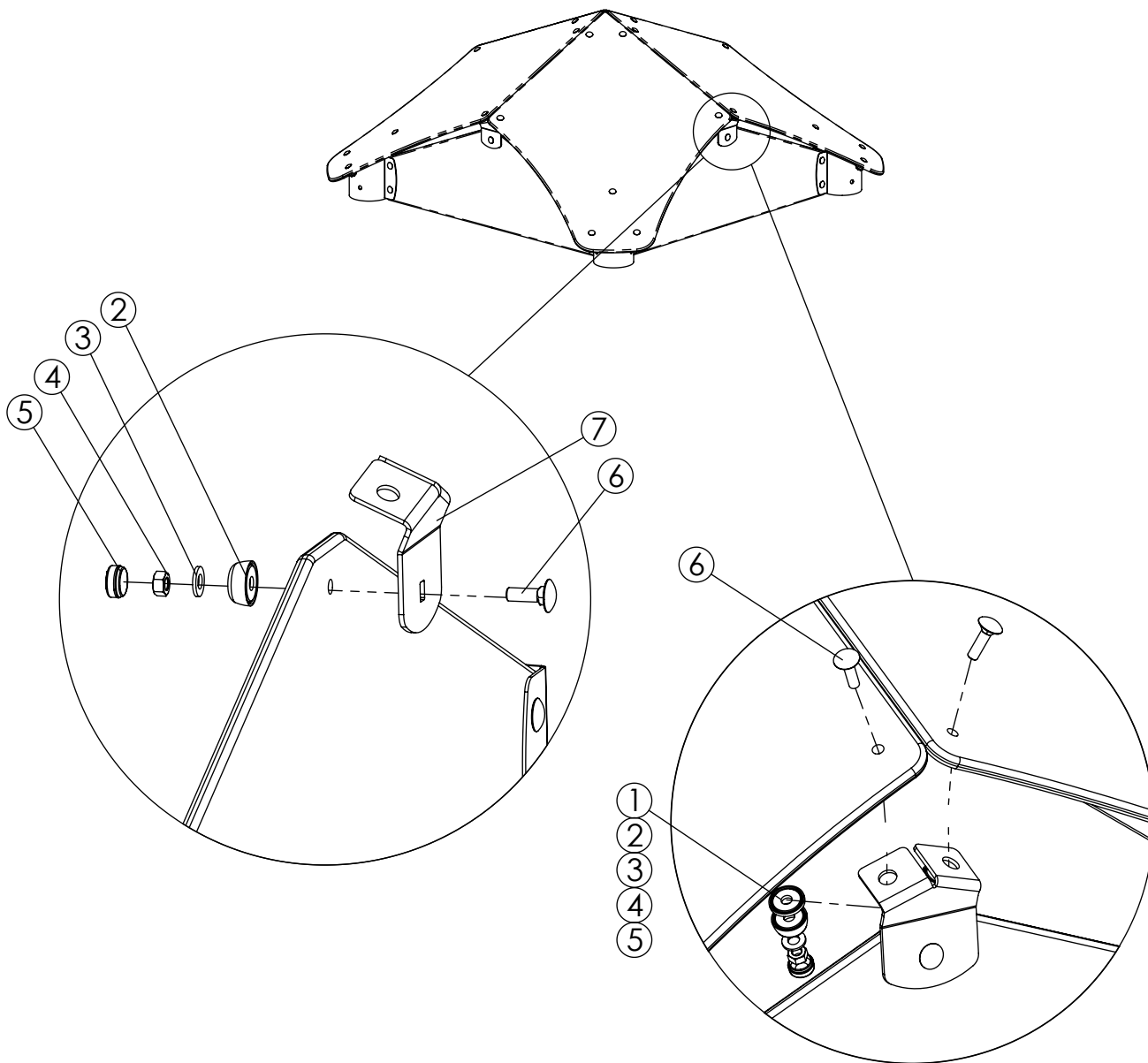
2



NR.	Description MA	Item Number	Qty
1	155x130	8058005	4
2	872X305 mm	8058004	4
3	Cover 8, Ø18x10mm	8005958	16
4	Washer, Bolt cap 9x18x2-ISO4759-3-C	8008849	16
5	Nut, ISO4032-M8-8	8008770	16
6	Cap 8 Ø27x11,5 mm	8005956	16
7	Screw, ISO8677-M8x25-8.8	8039277	16

<h1>HAGS</h1> <p>ANEBY, SWEDEN +46(0)380-47300 www.hags.com</p>	<p>Top barrier MASW51857 2 (3)</p>		
		<p>Tek</p>	<p>ToB</p>
<p>2018-06-14</p>		<p>3</p>	

3



NR.	Description MA	Item Number	Qty
1	Ø8,5x27x4 mm	8005959	12
2	Cap 8, Ø27x12 mm	8005956	12
3	Washer, Bolt cap 9x18x2-ISO4759-3-C	8008849	12
4	Nut, ISO4032-M8-8	8008770	12
5	Cover 8, Ø18x10mm	8005958	12
6	Screw, ISO8677-M8x25-8.8	8039277	12
7	126x111 mm	8058006	4

<h1>HAGS</h1> <p>Top barrier MASW51857 3 (3)</p>	ANEBY, SWEDEN +46(0)380- 47300 www.hags.com
	Tek 3 ToB 2018-06-14 3