

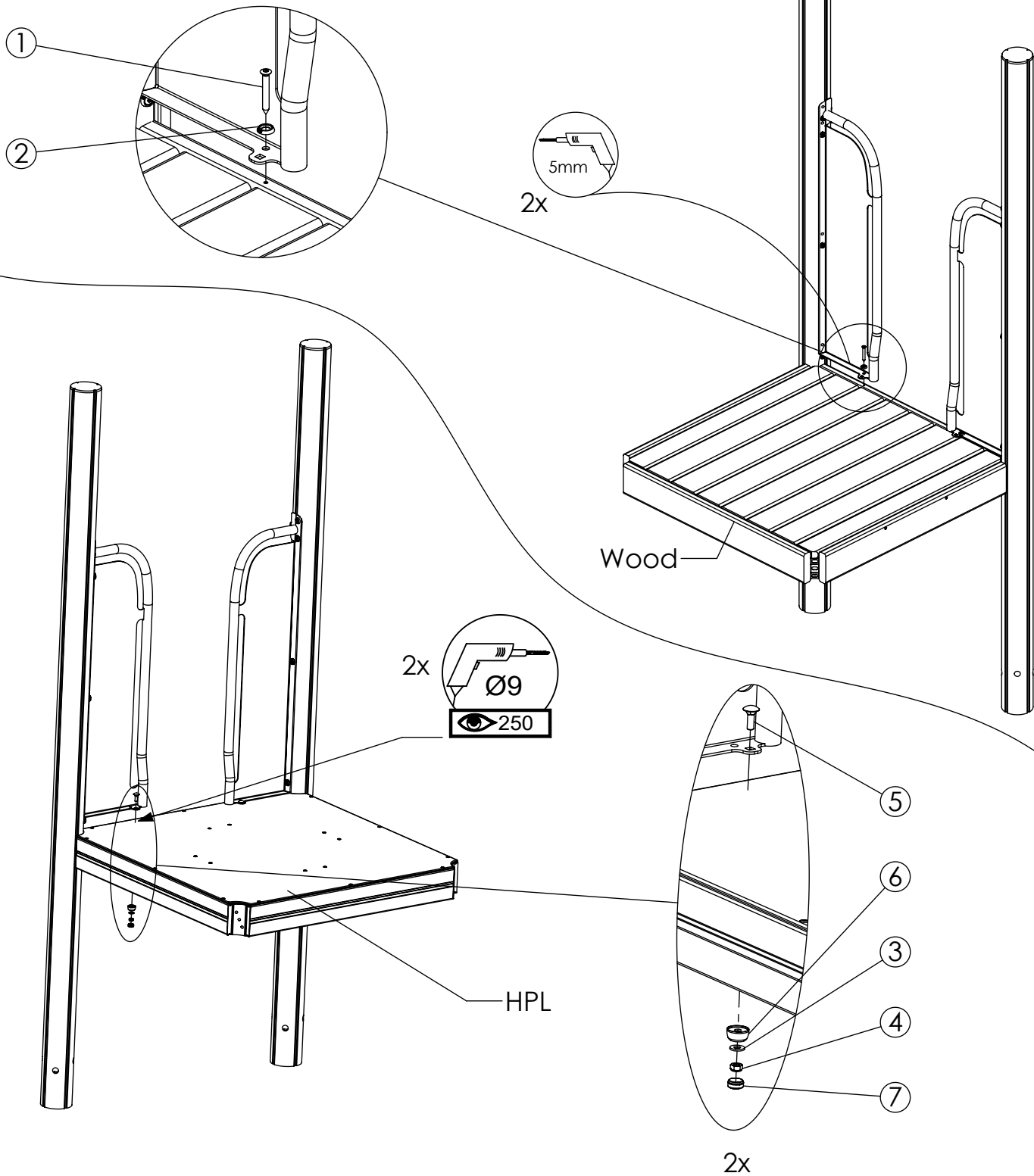
NR.	Description MA	Item Number	Qty
1	1000x260 mm	41099511	1
2	1000x260 mm	41099512	1
3	Screw, wood, TKFT-8x60-8.8	8008646	10
4	Ø21.4 x Ø11 x 4,7 mm	8035288	10
5	SRB 9x18x2 mm	8008849 (326017)	2
6	Nut, Fujilok-M8-8-RingA2	8008795	2
7	Screw, ISO8677-M8x35-8.8	8039279	2
8	Ø27x13 mm (8)	8005957 (261807)	2
9	Cover 8, Ø18x10mm	8005958	2
10	Screw, thr-forming M8x25-8.8-(ISO7380)	8008506	10

HAGS ANEBY, SWEDEN
+46(0)380-47300
www.hags.com

**Gripbow
420995
1 (2)**

Admin MM 2023-06-13 1

NR.	Description MA	Item Number	Qty
1	Screw, wood, TKFT-8x60-8.8	8008646	2
2	Ø21.4 x Ø11 x 4,7 mm	8035288	2



NR.	Description MA	Item Number	Qty
3	SRB 9x18x2 mm	8008849 (326017)	2
4	Nut, Fujilok-M8-8-RingA2	8008795	2
5	Screw, ISO8677-M8x25-8.8	8039277	2
6	Ø27x13 mm (8)	8005957 (261807)	2
7	Cover 8, Ø18x10mm	8005958	2

<h1>HAGS</h1> <p>Gripbow 420995 2 (2)</p>	ANEBY, SWEDEN +46(0)380- 47300 www.hags.com
	Admin MM 2023-06-13 1