

**PLAYWORLD SYSTEMS®
OVERHEAD COMPONENTS
(SEE COMPONENT LISTING BELOW)**



Attention: Owner

The Overhead Components are designed for hand over hand movement across the top rungs to foster play activity which combines upper body development, body control, hand eye coordination, and gripping ability.

Improper play and behavior on the Overhead Component can result in serious accidents. The following rules for the use of the component must be applied to reduce the possibility of debilitating injuries:

- Properly trained adult supervision is required at all times. The components are designed to accommodate children 5 through 12 years of age. Supervisors and parents should be aware of appropriate age and physical capabilities of the users.
- Do not crawl on, sit on, stand on or jump off the top of the assembly.
- Users must move in same direction across the length of the top of the component assembly. Always use fingers and thumbs for "Lock Grip" on hand rungs. Do not begin movement across the top hand rungs from opposite ends of the structure.
- Adequate distance, such as half the length of the ladder, must be maintained between users proceeding across the hand rung assembly.
- Be alert to swinging feet generated by body movement of participants using the apparatus.
- Do not use when hand rungs are wet as gripping capability is impaired. Use only when rungs are dry.

- Avoid speed contests or trying to cover too large a distance in one move.
- Drop from hand rungs with knees slightly bent and land on both feet.
- Protective surfacing material must be installed and maintained within the use zone of the Overhead Component in accordance with ASTM specification F1292 appropriate for the fall height of the Overhead Component .
- Review and familiarize warning document supplied with each Overhead Component shipment outlining owner's responsibilities on provided and maintaining required impact absorbing surfacing material.

As the owner of this playground equipment, you are responsible for communicating proper usage to those who may play on it. Playworld Systems accepts NO responsibility for improper use.

Overhead Components include:

- Horizontal Ladders
- Horizontal Hand Over Hand Ladders
- Horizontal Loop Rung Ladders
- Under Catwalk Hand Over Hand
- Under Catwalk Loop Rung Ladder
- Sky Link
- Sky Arch
- Unity Overhead Canopy

SUPERVISION INSTRUCTIONS



Movement Must Be In Same Direction With Adequate Distance Between Users



Do Not Begin Movement From Opposite Directions



Do Not Use When Hand Rungs Are Wet



Do Not Crawl Or Sit On Top Of The Hand Over Hand Ladder

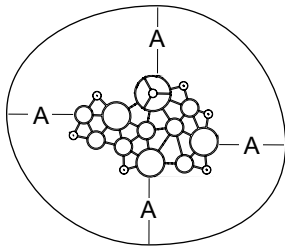


Do Not Stand On Or Jump Off Top Of The Hand Over Hand Ladder

Overhead Component shown is for example only. May not be the component ordered.



Assembly View (representative structure)



Equipment Use Zone
A - (ASTM) 72 in. (1830 mm)
(CSA) 1800 mm
(EN) 1985 mm

Installation Instructions

Playworld Systems[®]

Models XX0187 and XX0187S




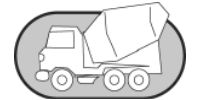
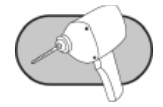


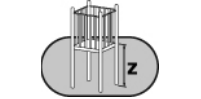
Unity Large Overhead Canopy

In-Ground and Surface Mount

Installation Preparation

Recommended Crew: Three (3) adults
 Installation Time (In-Ground): 9.5 man-hours
 Installation Time (Surface Mount): 6 man-hours
 Concrete Required: 0.84 cubic yard (0,63 cubic meters)
 Use Zone: Refer to the information below
 User Group Age (years): ASTM/CSA: 5-12, EN: 6-14

ICON KEY

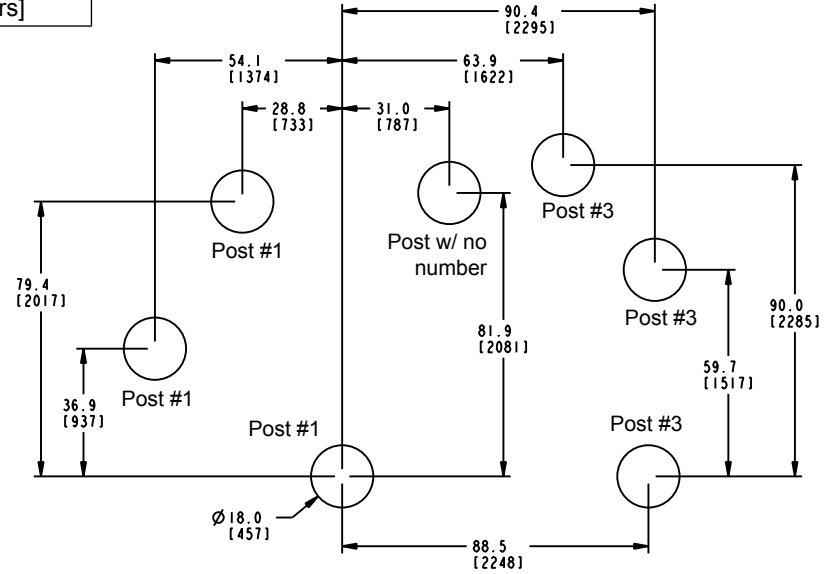
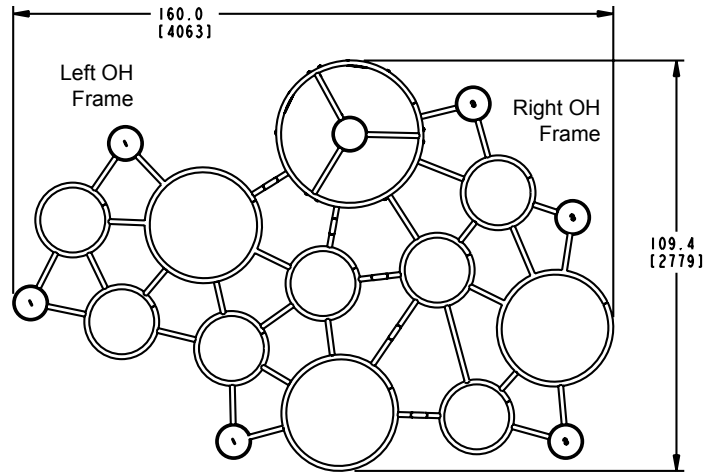
	Fully Tighten Hardware		Add 1 Drop of Thread Locking Adhesive
	Do Not Fully Tighten Hardware		Pour Concrete
	Drill		Dig Footing Holes
	Hammer		Critical Fall Height

Installation Instructions

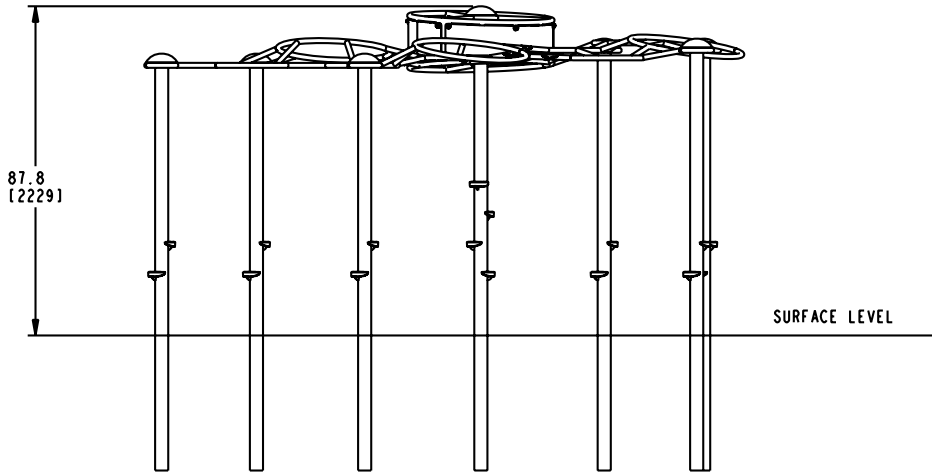
KEY

Position	Unit of Measurement
Top #	Inches
Bottom #	[Millimeters]

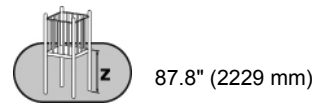
Top View



Footing Diagram



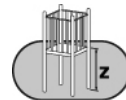
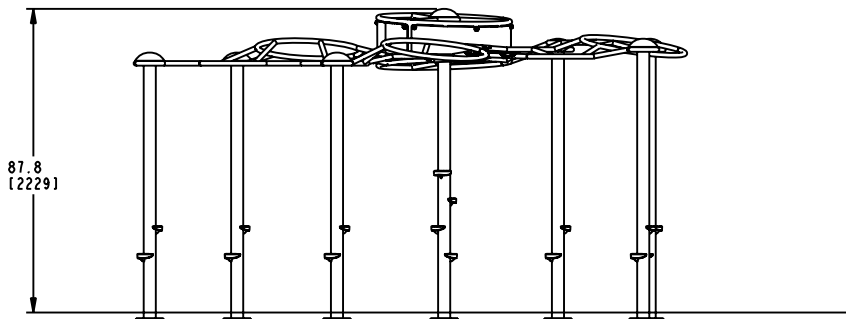
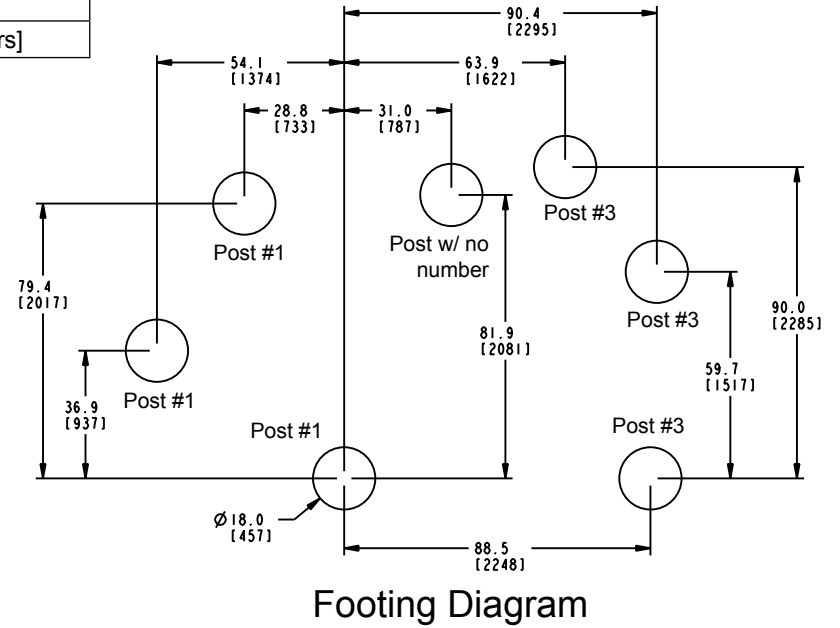
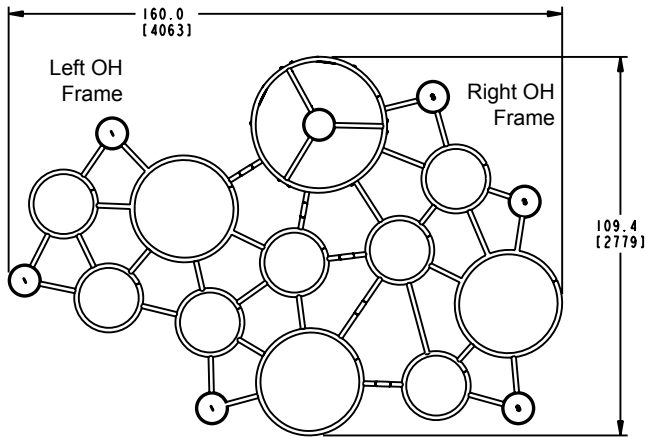
Elevation Views
XX0187



Installation Instructions

KEY	
Position	Unit of Measurement
Top #	Inches
Bottom #	[Millimeters]

Top View

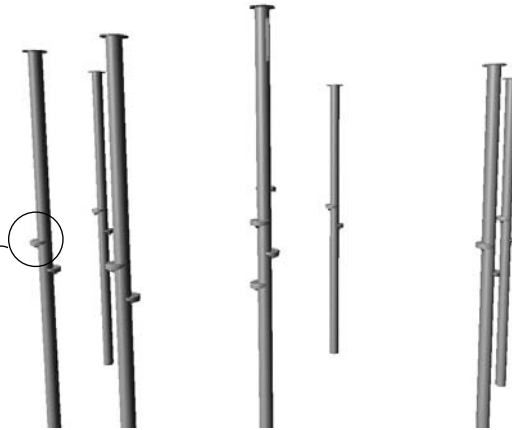
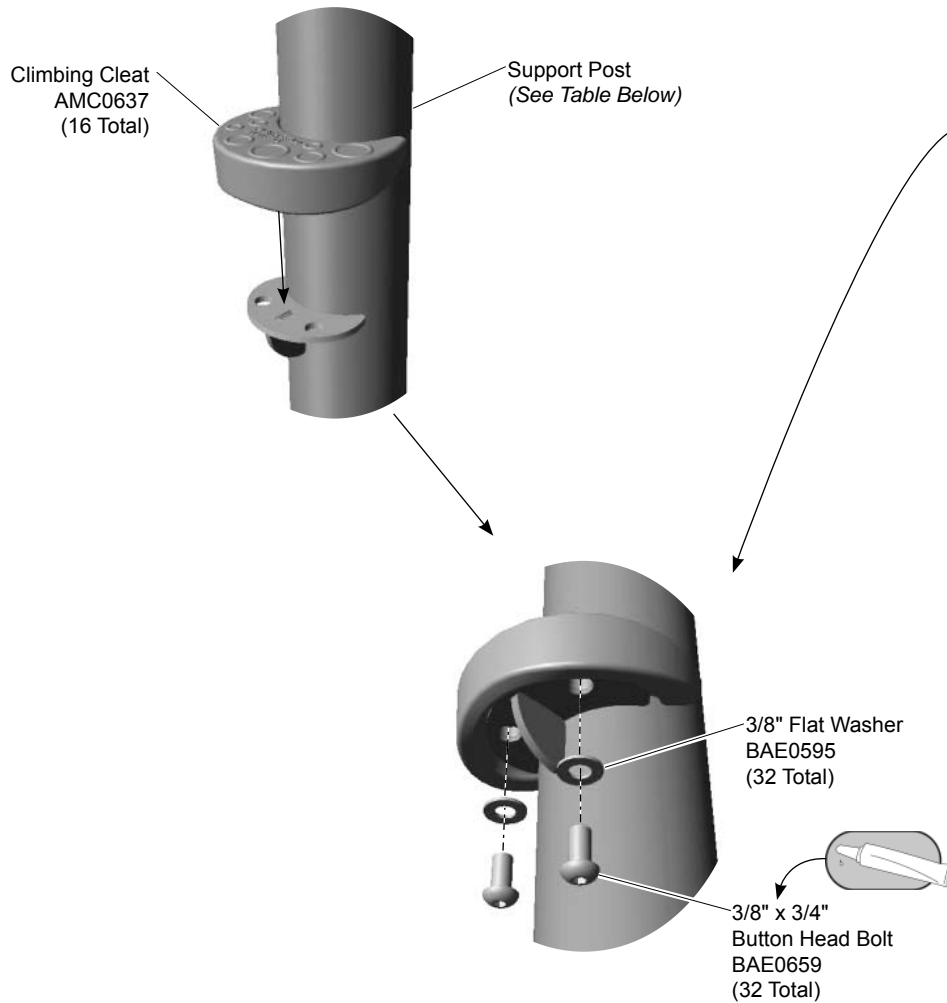


87.8" (2229 mm)

Elevation Views
XX0187S

Installation Instructions

Follow the details in alphabetical order. For clarification, each detail references the step description. The step descriptions start on page 10.

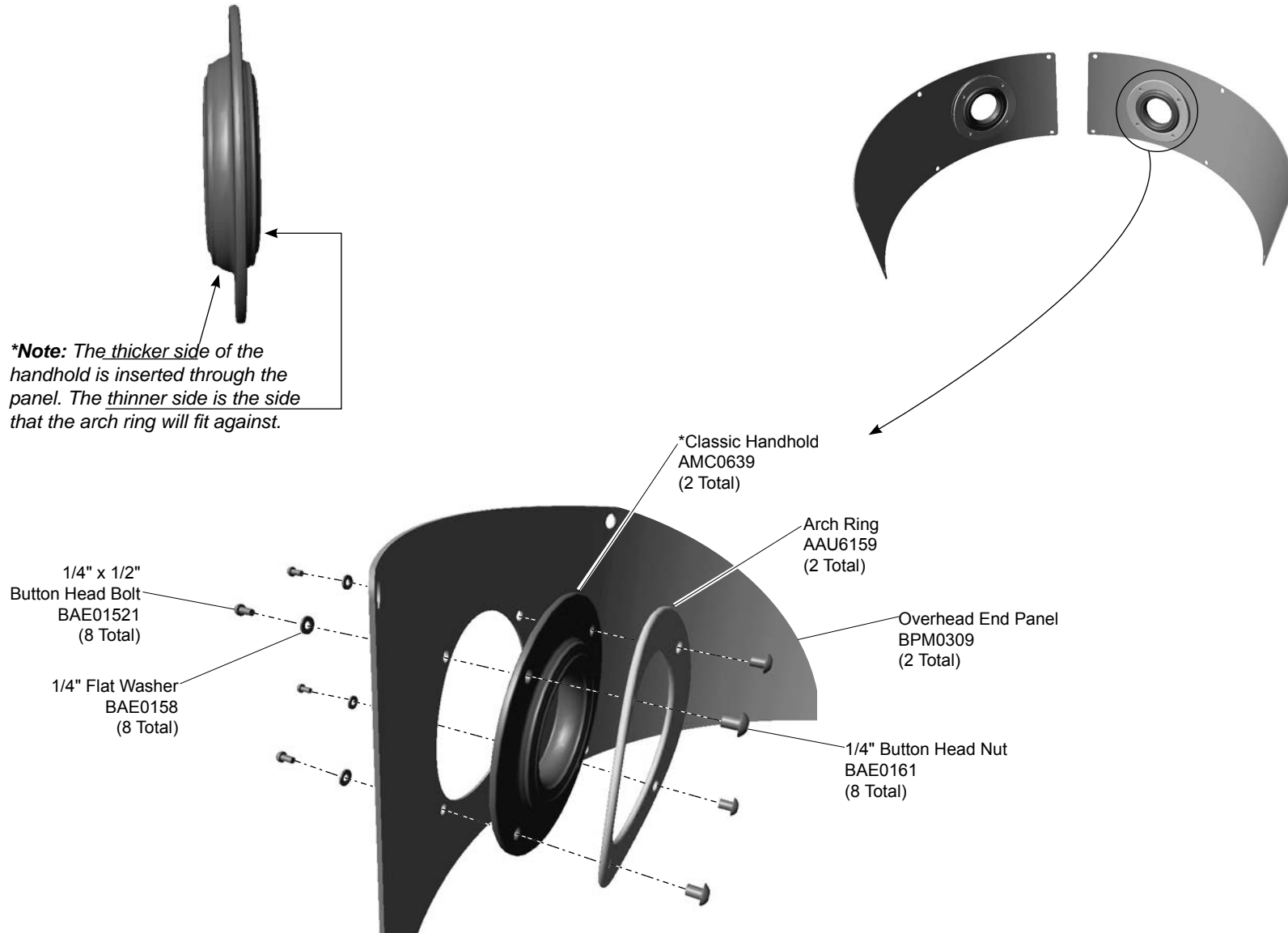


Detail A Step 4

Attach the cleats to the support posts.

Model	Support Post	Part Number	Quantity
XX0187	Post #1	APT5249	3
XX0187	Post #3	APT5251	3
XX0187	Post w/ No Number	APT5248	1
XX0187S	Post #1	APT5242	3
XX0187S	Post #3	APT5244	3
XX0187S	Post w/ No Number	APT5241	1

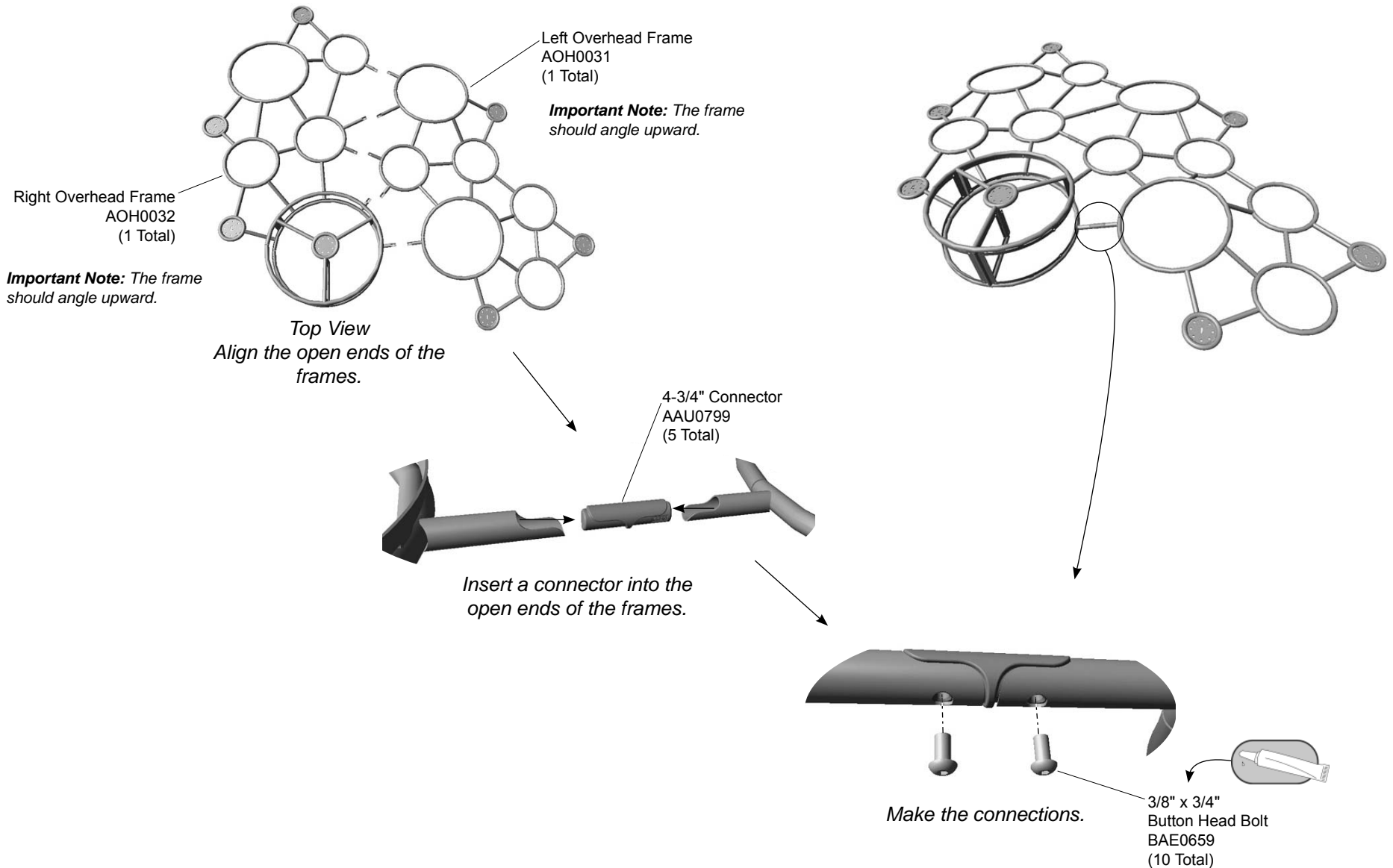
Installation Instructions



Detail B Step 5

Attach the handholds to the overhead end panels.

Installation Instructions

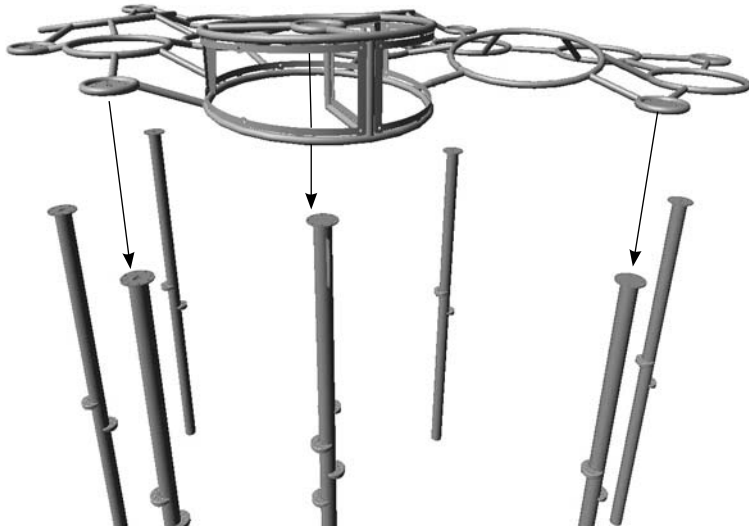


Detail C
Step 6

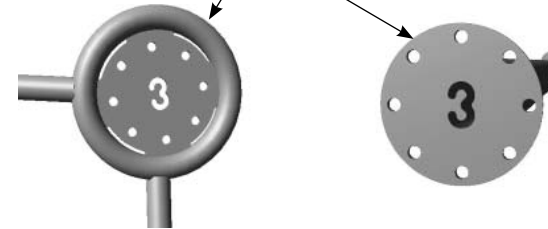


Attach the overhead frames together.

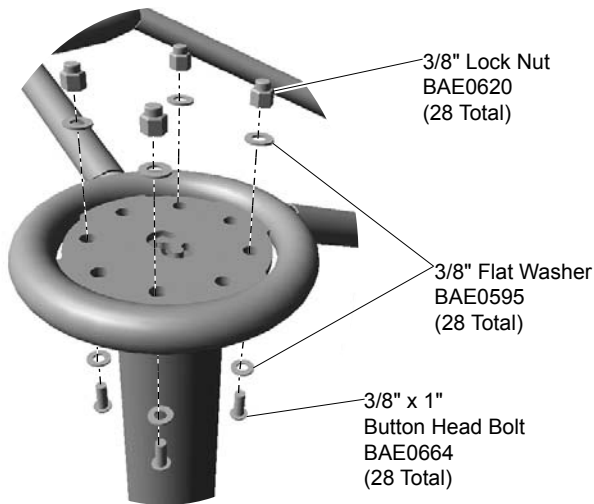
Installation Instructions



Example: Frame with a 3 stamped in its plate attaches to the post with a 3 stamped in its top.



Important Note: Posts #'s 1 & 3 have their number stamped in the plate on top of the post. This number will then correspond with the number stamped into mounting plates on the overhead canopy frames. Match the frame to its corresponding posts.



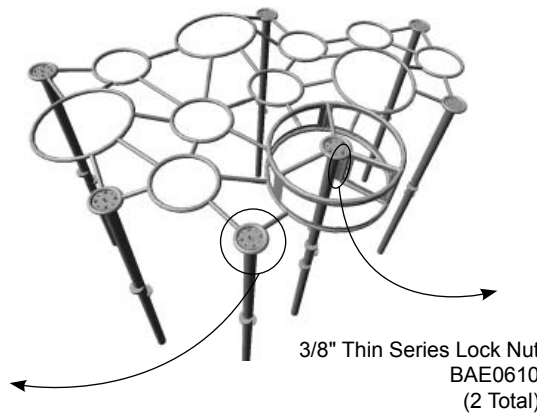
3/8" Lock Nut
BAE0620
(28 Total)

3/8" Flat Washer
BAE0595
(28 Total)

3/8" x 1"
Button Head Bolt
BAE0664
(28 Total)

Detail D-1

Attach the overhead frames to the support posts.

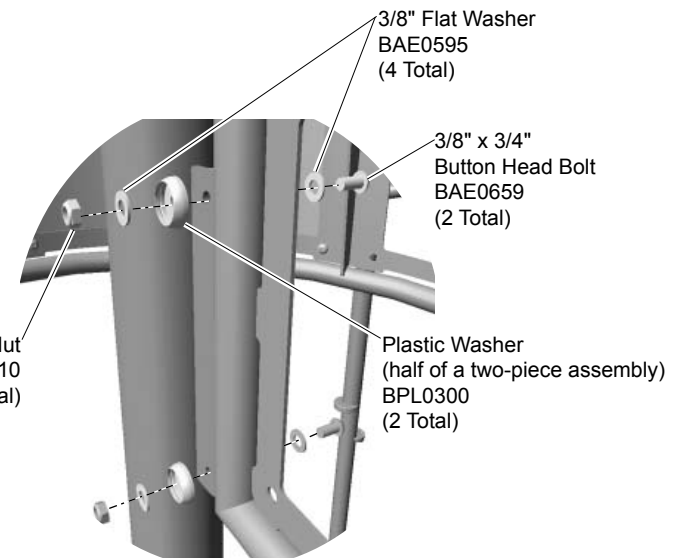


3/8" Thin Series Lock Nut
BAE0610
(2 Total)

Details D-1 and D-2

Step 7

Attach the overhead frames to the support posts.



3/8" Flat Washer
BAE0595
(4 Total)

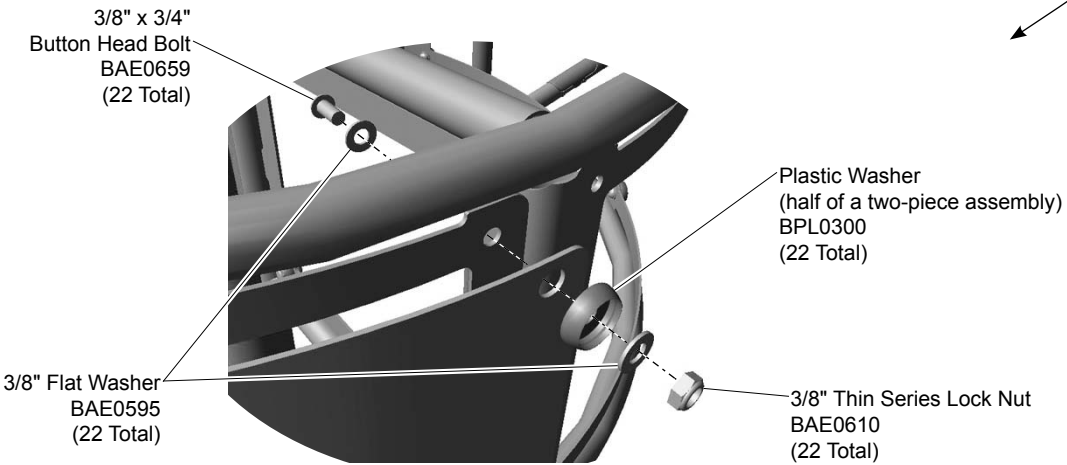
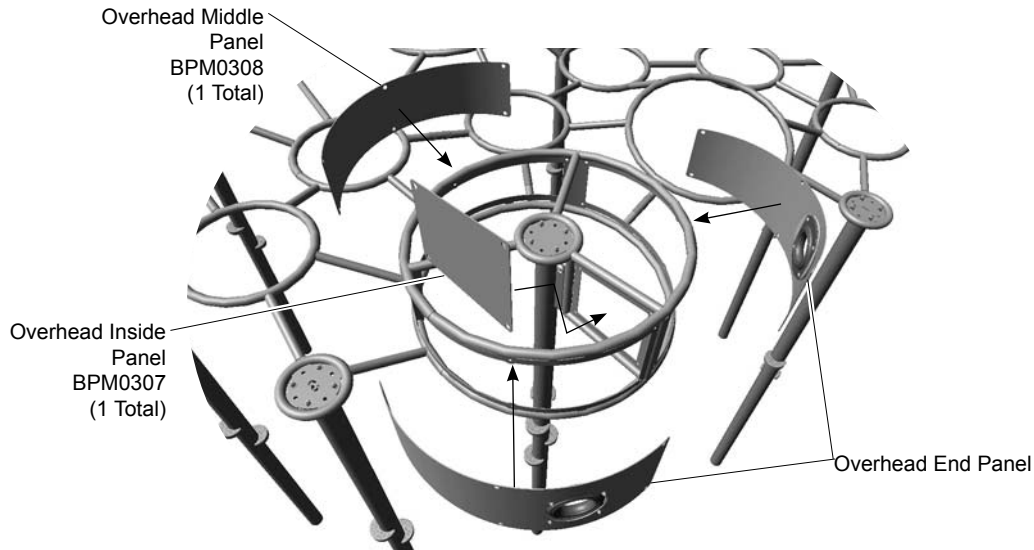
3/8" x 3/4"
Button Head Bolt
BAE0659
(2 Total)

Plastic Washer
(half of a two-piece assembly)
BPL0300
(2 Total)

Detail D-2

Attach the arch ring frame to the support post with no number.

Installation Instructions

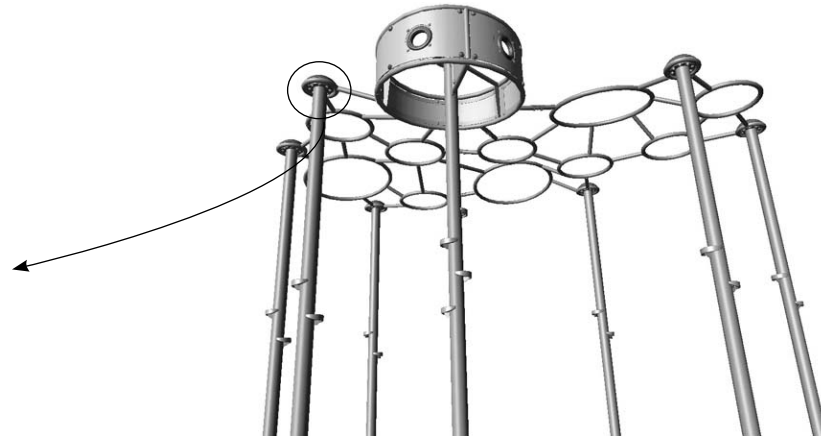
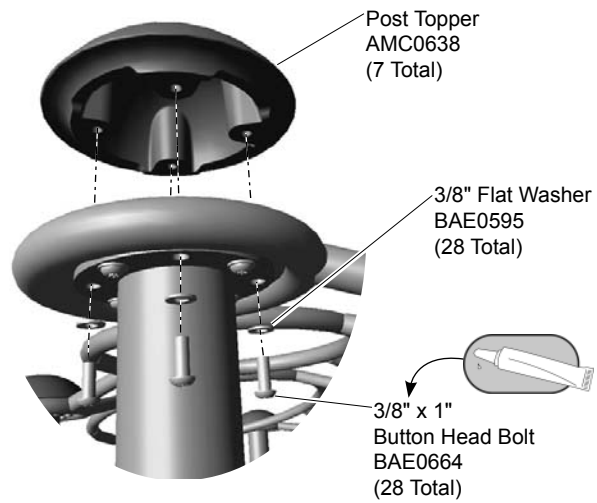


Detail E Step 8



Attach the steel panels to the arch ring frame.

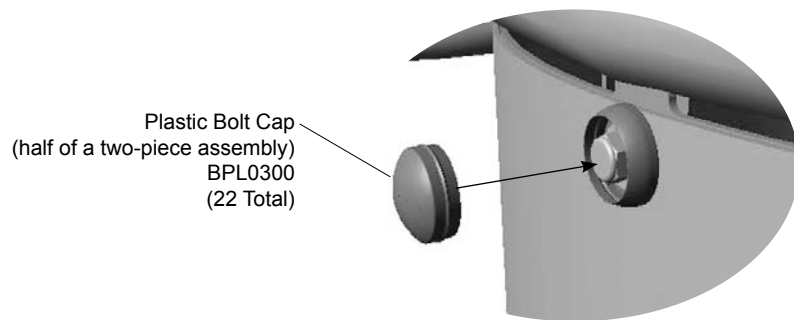
Installation Instructions



Detail F Step 10



Attach the post topper to the support posts.



Detail G Step 11

Press the bolt caps into the plastic washers.

Installation Instructions

Notes Before You Begin: Do not over tighten bolts during assembly, only snug tighten them until assembly is complete unless otherwise instructed. Do not install bolt caps until the structure is completely assembled and properly footed.

Carefully read and understand these installation instructions before you begin.

Step 1: Before attempting to assemble your equipment, please review all installation information carefully. Should you experience any difficulty during the installation process, please call us at the phone number shown on the last page of these instructions.

Step 2: Separate and identify all components and hardware.

Step 3: Excavate, or prepare, the footings as shown in the *Annex* at the end of this document. Use the **Support Post Footing Detail** the in-ground model.

Step 4: Attach the cleats to the support posts. See **Detail A**. Place a cleat over each bracket on the support posts, apply a drop of thread locking adhesive to the bolt threads and attach as shown. Fully tighten the connections according to tightening torque specifications (See **Final Details**).

Step 5: Attach the handholds to the overhead end panels. See **Detail B**. Attach the handholds to the end panels as shown making sure to insert the thicker center part of the handhold through the end panel first. Fully tighten the connections according to tightening torque specifications (See **Final Details**).

Step 6: Attach the overhead frames together. See **Detail C**. Position the overhead frames next to each other as shown, insert a connector into the open ends of the frames, apply a drop of thread locking adhesive to the bolt threads and attach as shown.

Step 7: Attach the overhead frames to the support posts. See **Details D-1 and D-2**. Place the support posts in, or on, their designated footings and block and brace in place. See the **Footing Diagram** and **Top View** for location of the posts and frames respectively. With adequate manpower place the frame assembly on top of the posts and attach as shown. Note the attachment of the arch ring frame to the support post with no number.

Important Note: Posts #'s 1 & 3 have their number stamped in the plate on top of the post. This number will then correspond with the number stamped into mounting plates on the overhead canopy frames. Match the frame to it's corresponding posts. See the **Example** on the same page.

Step 8: Attach the steel panels to the arch ring frame on the right overhead frame. See **Detail E**. Locate the panels against the arch ring frame and attach as shown. Fully tighten the connections according to tightening torque specifications (See **Final Details**).

Final Details.

Step 9: Plumb and level the component. Tighten **all** fasteners. Fully tighten all fasteners according to tightening torque specifications.

Torque Specifications:

Bolts and nuts - Snug tighten and then tighten an additional one half turn.

In-Ground: Block and brace for concrete. Pour concrete after all equipment has been assembled. Allow 72 hours for concrete to completely cure.

Surface Mount: Bolt down all surface mount supports in accordance with specifications provided by your registered structural engineer.

Important Note: Surface mount hardware is not supplied. Customer is responsible for concrete base and for providing surface mount hardware as specified by a registered structural engineer for each specific project application.

Step 10: Attach the post topper to the support posts. See **Detail F**. Place a post topper on top of each support post, apply a drop of thread locking adhesive to the bolt threads and attach as shown. Fully tighten the connections according to tightening torque specifications (See **Final Details**).

Step 11: Press the bolt caps into the plastic washers. See **Detail G**. Press a bolt cap into each plastic flanged washer as shown.

Note: The plastic caps install easier when they are warm.

Step 12: For areas complying with ASTM standard F1487 or the CSA Z-614, apply the age appropriate label to the component at eye level.

XX0187 - UNITY LARGE OVERHEAD CANOPY

PART NO.	DESCRIPTION	QTY.
AAU0799	CONNECTOR - 1.375" O.D. x 4.75" THREADED HOLES	5
AAU6159	RING - 9.50" O.D. x .25" - ARCH	2
AMC0637	CLIMBING CLEAT	16
AMC0638	POST TOPPER	7
AMC0639	NEW CLASSIC HANDHOLD	2
AOH0031	OVERHEAD - NEW CLASSICS - LEFT	1
AOH0032	NEW CLASSICS OVERHEAD - FRAME	1
APT5248	POST - 6.00" O.D. x 120.50" w/CLEATS	1
APT5249	POST - 6.00" O.D. x 107.88" w/CLEATS	3
APT5251	POST - 6.00" O.D. x 111.88" w/CLEATS	3
BAD0085	THREAD LOCKING ADHESIVE	1
BAE01521	BOLT - 1/4"-20 x 1/2" BUTTON HEAD - SS	8
BAE0158	WASHER - 1/4" SAE FLAT	8
BAE0161	NUT - 1/4"-20 x 7/16" BUTTON HEAD	8
BAE0595	WASHER - 3/8" SAE FLAT	164
BAE0610	NUT - 3/8"-16 THIN LOCK	24
BAE0620	NUT - 3/8"-16 LOCK w/NYLON CAP	28
BAE0659	BOLT - 3/8"-16 x 3/4" BUTTON HEAD - SS	66
BAE0664	BOLT - 3/8"-16 x 1" BUTTON HEAD - SS	56
BAE0900	WRENCH - 5/32" SHORT HEX KEY	1
BAE0902	TOOL - 7/32" SHORT HEX KEY WRENCH	1
BAE0922	TOOL - TT 45 L WRENCH	1
BPL0300	CAP - 3/8 BOLT	24
BPM0307	PANEL - 12.79" x 12.94"	1
BPM0308	PANEL - OVERHEAD MIDDLE	1
BPM0309	PANEL - OVERHEAD ENDS	2
ALB0025	LABEL - AGE APPROPRIATE SHEET	1

XX0187S - UNITY LARGE OVERHEAD CANOPY SM

PART NO.	DESCRIPTION	QTY.
AAU0799	CONNECTOR - 1.375" O.D. x 4.75" THREADED HOLES	5
AAU6159	RING - 9.50" O.D. x .25" - ARCH	2
AMC0637	CLIMBING CLEAT	16
AMC0638	POST TOPPER	7
AMC0639	NEW CLASSIC HANDHOLD	2
AOH0031	OVERHEAD - NEW CLASSICS - LEFT	1
AOH0032	NEW CLASSICS OVERHEAD - FRAME	1
APT5241	POST - 8.00" DIA x 86.38" w/CLEATS	1
APT5242	POST - 8.00" DIA x 73.75" w/CLEATS	3
APT5244	POST - 8.00" DIA x 77.75" w/CLEATS	3
BAD0085	THREAD LOCKING ADHESIVE	1
BAE01521	BOLT - 1/4"-20 x 1/2" BUTTON HEAD - SS	8
BAE0158	WASHER - 1/4" SAE FLAT	8
BAE0161	NUT - 1/4"-20 x 7/16" BUTTON HEAD	8
BAE0595	WASHER - 3/8" SAE FLAT	164
BAE0610	NUT - 3/8"-16 THIN LOCK	24
BAE0620	NUT - 3/8"-16 LOCK w/NYLON CAP	28
BAE0659	BOLT - 3/8"-16 x 3/4" BUTTON HEAD - SS	66
BAE0664	BOLT - 3/8"-16 x 1" BUTTON HEAD - SS	56
BAE0900	WRENCH - 5/32" SHORT HEX KEY	1
BAE0902	TOOL - 7/32" SHORT HEX KEY WRENCH	1
BAE0922	TOOL - TT 45 L WRENCH	1
BPL0300	CAP - 3/8 BOLT	24
BPM0307	PANEL - 12.79" x 12.94"	1
BPM0308	PANEL - OVERHEAD MIDDLE	1
BPM0309	PANEL - OVERHEAD ENDS	2
ALB0025	LABEL - AGE APPROPRIATE SHEET	1



The world needs play.

For Customer Service, Call
800-233-8404 or
570-522-9800 OUTSIDE U.S.
 1000 Buffalo Road • Lewisburg, PA 17837
www.playworldsystems.com



This page is
intentionally left blank.



Fasteners

- Inspect for loose fasteners.
Tightening torque specifications are:
Bolts and Nuts: Snug tighten and tighten an additional one-half turn.
- If during the maintenance process a bolt needs to be removed from a part or parts, it will be necessary to apply a drop of liquid thread lock / loctite to the bolt before reinstallation.
- Inspect for missing, worn or broken fasteners. If any missing, worn or broken fasteners are found, refer to the installation instructions for proper replacement fastener. If any damage is detected, barricade equipment to prevent use until repair is completed. Contact your sales representative immediately for a replacement part.

Plastic Parts

- Inspect all plastic surfaces for sharp points, cracks or jagged edges. If any damage is detected and is determined to be unsafe, barricade equipment to prevent use until repair is completed. Minor burrs or sharp edges may be removed by using a sharp utility knife or block plane to remove sharp burr.

Welds

- Inspect all welded joints. If any broken welds are detected, barricade equipment to prevent use until repair is completed. Contact your sales representative immediately for a replacement part.

Finish

- Inspect metal parts for finish damage.
To repair painted surfaces, sand damaged area with sandpaper and wipe clean. Mask area and paint with primer and allow to dry. Paint primed area with color-matching paint and allow to dry. Recoat area with color-matching paint if required. Drying time is approximately 8 hours between coats.
To repair the Eco-Armor® coating, contact the Playworld Systems' Customer Service Department for a coating repair touch-up kit.

Footings

- Inspect component to be solid in footing and secure. If any damage is detected, barricade equipment to prevent use until repair is completed.

Surfacing

- Refer to the specific surfacing maintenance detail sheet for additional information.

Replacement Parts

- Refer to your installation instructions to obtain replacement part number.
- Contact your sales representative or call Playworld Systems' Customer Service for a replacement part.

Equipment Maintenance Playworld Systems® Models XX0187 and XX0187S Unity Large Overhead Canopy In-Ground and Surface Mount



Inspection Form

Preventive Maintenance

... for Safety's Sake!

- Be sure that you are using a copy of this Inspection Form and not your original.
- Use the Inspection Codes listed below and record condition of equipment at time of examination on the Inspection Checklist.
- Document any item from the Inspection Checklist that will require maintenance along with any corrective action on the Maintenance Schedule.
- Be sure to include appropriate dates and signatures on each section to properly document maintenance procedure.

INSPECTION CHECKLIST

	Frequency	Inspection Code	Date	Date Repairs Completed
Inspect plastic parts for damage.	Medium			
Inspect surfacing to insure proper depth and distribution.	High			
Inspect metal parts for structural and finish damage.	Medium			
Inspect for loose, missing, worn, or broken fasteners.	High			
Inspect footing to insure support is secure and footing is not damaged.	Low			

Inspection Codes
P = Pass F = Fail
NA = Not Applicable

Inspector: Name (Please Print) _____ Signature: _____ Date: ___ / ___ / ___

MAINTENANCE SCHEDULE

Item in Question	Description of Problem	Corrective Action	Date

Repairer: Name (Please Print) _____ Signature: _____ Date: ___ / ___ / ___

