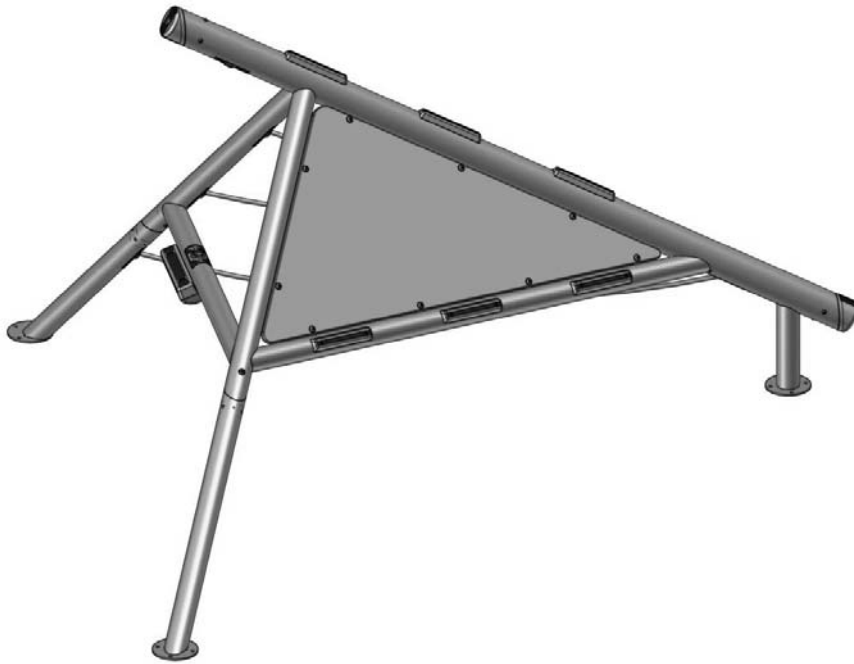


## Installation Instructions



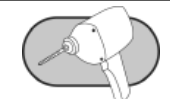


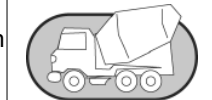

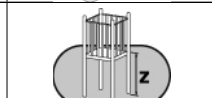
Playworld Systems<sup>®</sup>  
Models XX0708, XX0709 and XX0713  
PlayForm 7  
Son Panel

### Installation Preparation

Recommended Crew: ..... One (1) adult  
Installation Time: ..... .25 hour

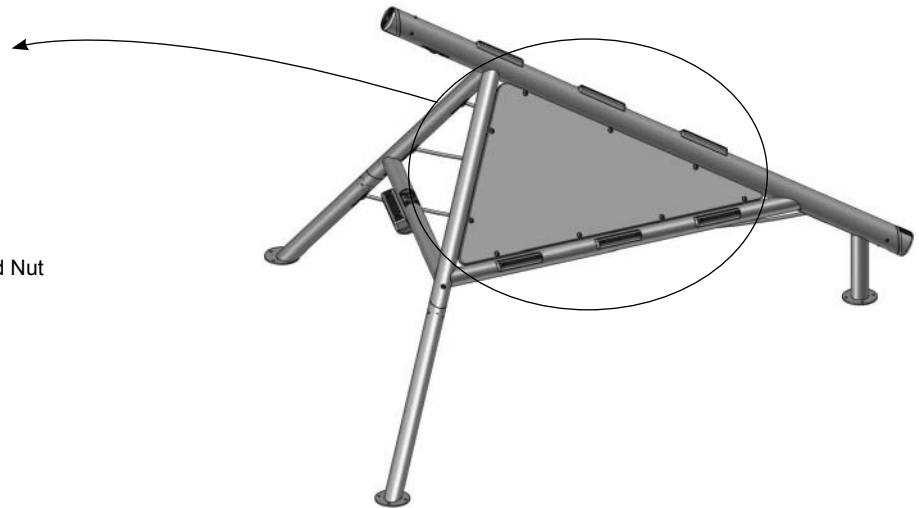
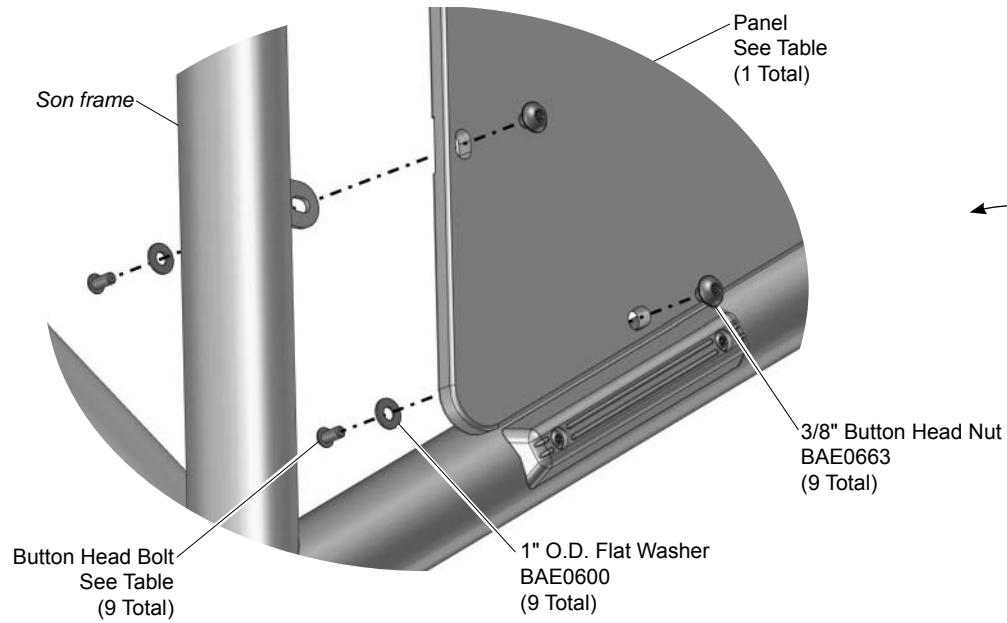


Assembly View

ICON KEY	
	Fully Tighten Hardware
	Do <b>Not</b> Fully Tighten Hardware
	Drill
	Hammer
	Add 1 Drop of Thread Locking Adhesive
	Pour Concrete
	Dig Footing Holes
	Critical Fall Height

# Installation Instructions

Follow the details in alphabetical order. For clarification, each detail references the step description. The step descriptions start on page 3.



**Detail A**  
**Step 3**

*Attach the Son panel to the Son frame.*

Panel Model	Type	Part Number	Bolt Number	Bolt Description
ZZXX0708	Sheet Plastic	BFC3630	BAE0659	3/8"-16 x .75 Button Head
ZZXX0709	Laminated Bamboo	BFC3620	BAE0659	3/8"-16 x .75 Button Head
ZZXX0713	Polycarbonate	BFC3626	BAE0661	3/8"-16 x .50 Button Head

# Installation Instructions

---

**Notes Before You Begin:** Do not over tighten bolts during assembly, only snug tighten them until assembly is complete.

**Carefully read and understand these installation instructions before you begin.**

**Step 1:** Before attempting to assemble your equipment, please review all installation information carefully. Should you experience any difficulty during the installation process, please call us at the phone number shown on the last page of these instructions.

**Step 2:** Separate and identify all components and hardware.

**Step 3:** Attach the Son panel to the Son frame. See **Detail A**. Place the panel on the outer side of the frame so the panel is laying on top of the tabs on the frame. Align the holes on the Son panel with the tabs on the Son frame. Select the appropriate hardware (refer to the table on page 2 for bolt part number identification), and attach as shown. Fully tighten the connections according to tightening torque specifications.

## **Final Details.**

**Step 4:** Plumb and level the component. Tighten **all** fasteners. Fully tighten all fasteners according to tightening torque specifications.

## **Torque Specifications:**

*Bolts and nuts* - Snug tighten and then tighten an additional one half turn.

## ZZXX0708 - SHEETPLASTIC PANEL (SON)

PART NO.	DESCRIPTION	QTY.
BAE0600	WASHER - 1" O.D. FLAT	9
BAE0659	BOLT - 3/8"-16 x .75" BUTTON HEAD - S.S.	9
BAE0663	NUT - 3/8"-16 x 7/16" BUTTON HEAD	9
BAE0922	TOOL - TT 45 L WRENCH	2
BFC3630	SHEET - PLAYFORM 7 (SON)	1

## ZZXX0709 - LAMINATED BAMBOO PANEL (SON)

PART NO.	DESCRIPTION	QTY.
BAE0600	WASHER - 1" O.D. FLAT	9
BAE0659	BOLT - 3/8"-16 x .75" BUTTON HEAD - S.S.	9
BAE0663	NUT - 3/8"-16 x 7/16" BUTTON HEAD	9
BAE0922	TOOL - TT 45 L WRENCH	2
BFC3620	LAMINATED BAMBOO - PLAYFORM 7 (SON)	1

## ZZXX0713 - POLYCARBONATE PANEL (SON)

PART NO.	DESCRIPTION	QTY.
BAE0600	WASHER - 1" O.D. FLAT	9
BAE0663	NUT - 3/8"-16 x 7/16" BUTTON HEAD	9
BAE0922	TOOL - TT 45 L WRENCH	2
BFC3626	POLYCARBONATE - PLAYFORM 7 (SON)	1
BAE0661	BOLT - 3/8"-16 x .50" BUTTON HEAD - S.S.	9



**PLAYWORLD**  
The world needs play.

For Customer Service, Call  
**800-233-8404** or  
**570-522-9800** OUTSIDE U.S.  
 1000 Buffalo Road • Lewisburg, PA 17837  
[www.playworldsystems.com](http://www.playworldsystems.com)



#### Fasteners

- Inspect for loose fasteners.  
Tightening torque specifications are:  
Bolts and Nuts: Snug tighten and tighten an additional one-half turn.
- If during the maintenance process a bolt needs to be removed from a part or parts, it will be necessary to apply a drop of liquid thread lock / loctite to the bolt before reinstallation.
- Inspect for missing, worn or broken fasteners. If any missing, worn or broken fasteners are found, refer to the installation instructions for proper replacement fastener. If any damage is detected, barricade equipment to prevent use until repair is completed. Contact your sales representative immediately for a replacement part.

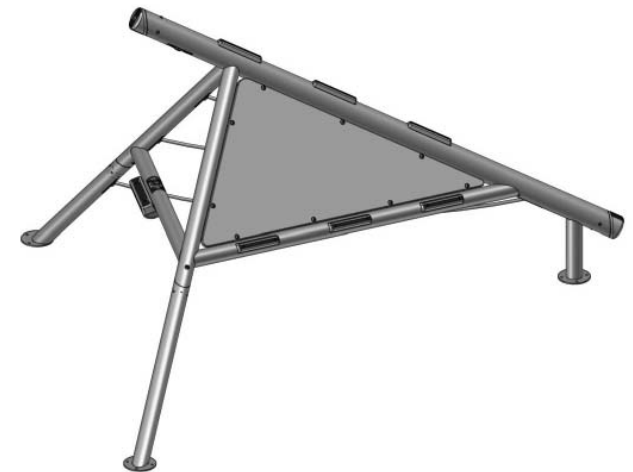
#### Plastic Parts

- Inspect all plastic surfaces for sharp points, cracks or jagged edges. If any damage is detected and is determined to be unsafe, barricade equipment to prevent use until repair is completed. Minor burrs or sharp edges may be removed by using a sharp utility knife or block plane to remove sharp burr.

#### Replacement Parts

- Refer to your installation instructions to obtain replacement part number.
- Contact your sales representative or call Playworld Systems' Customer Service for a replacement part.

## Equipment Maintenance Playworld Systems® Model XX0708, XX0709 and XX0713 PlayForm 7 Son Panel



# Inspection Form

## Preventive Maintenance

**... for Safety's Sake!**

- Be sure that you are using a copy of this Inspection Form and not your original.
- Use the Inspection Codes listed below and record condition of equipment at time of examination on the Inspection Checklist.
- Document any item from the Inspection Checklist that will require maintenance along with any corrective action on the Maintenance Schedule.
- Be sure to include appropriate dates and signatures on each section to properly document maintenance procedure.

### INSPECTION CHECKLIST

	Frequency	Inspection Code	Date	Date Repairs Completed
Inspect plastic parts for damage.	Medium			
Inspect for loose, missing, worn, or broken fasteners.	High			

<b>Inspection Codes</b>	
<b>P</b> = Pass	<b>F</b> = Fail
<b>NA</b> = Not Applicable	

Inspector: Name (Please Print) \_\_\_\_\_ Signature: \_\_\_\_\_ Date: \_\_\_ / \_\_\_ / \_\_\_

### MAINTENANCE SCHEDULE

Item in Question	Description of Problem	Corrective Action	Date

Repairer: Name (Please Print) \_\_\_\_\_ Signature: \_\_\_\_\_ Date: \_\_\_ / \_\_\_ / \_\_\_

