

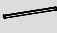







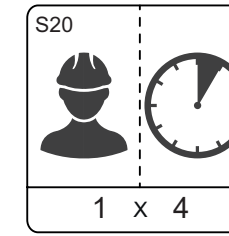
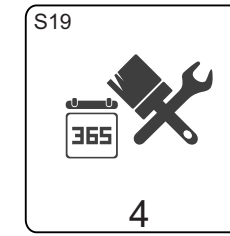
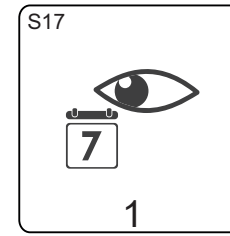
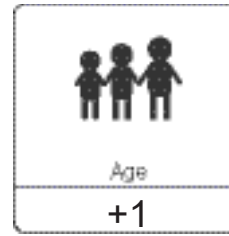
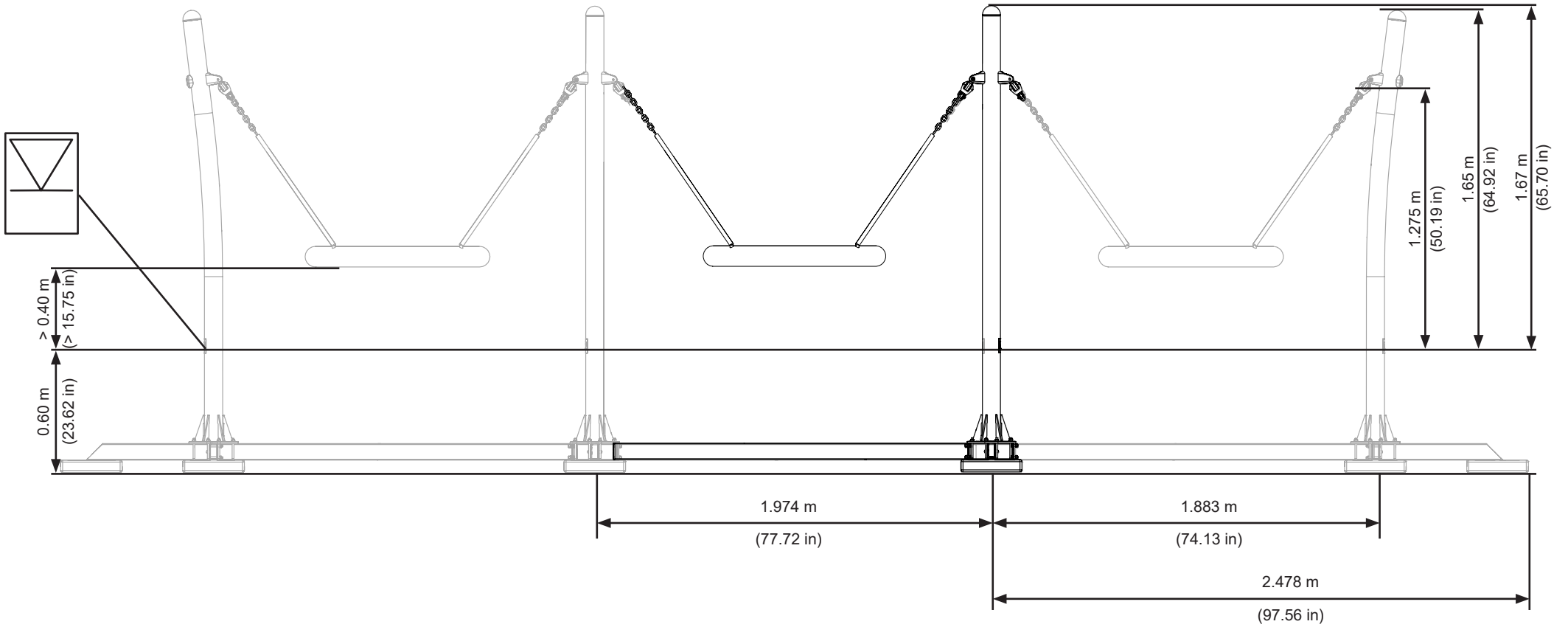
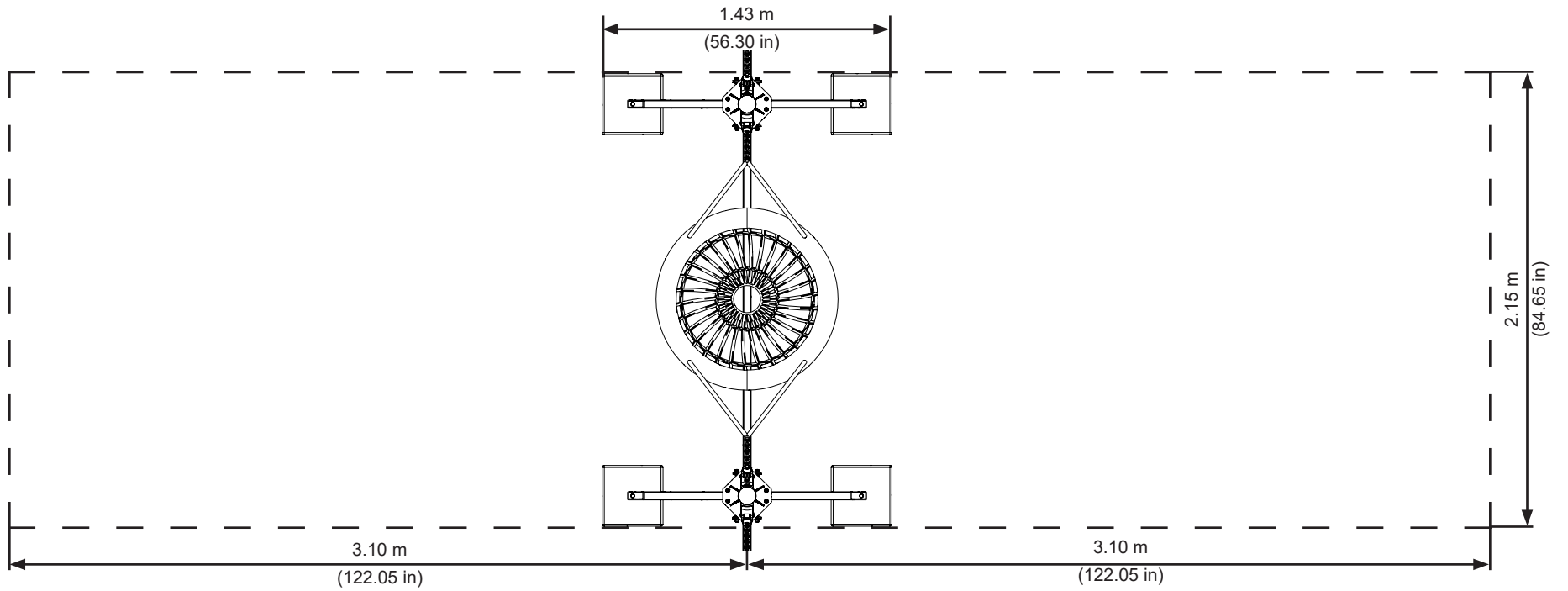
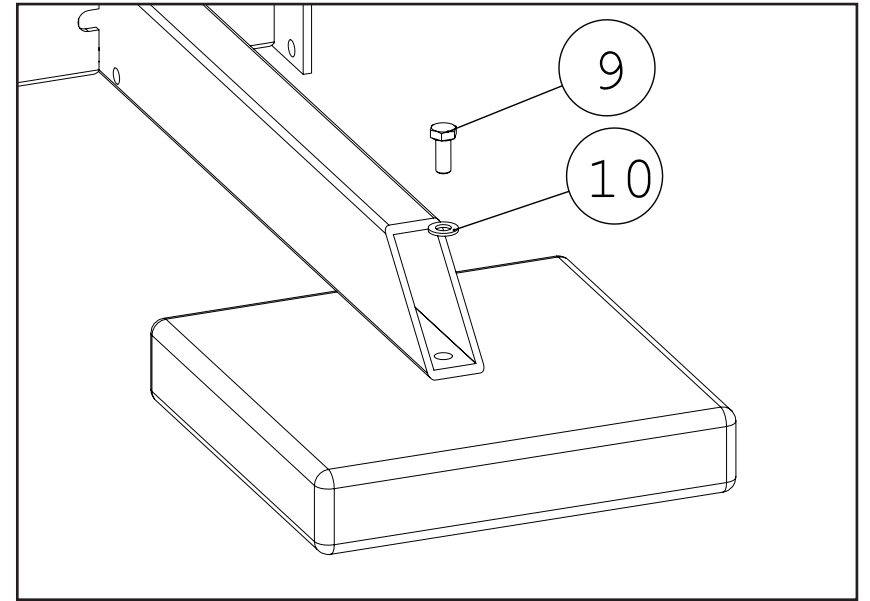
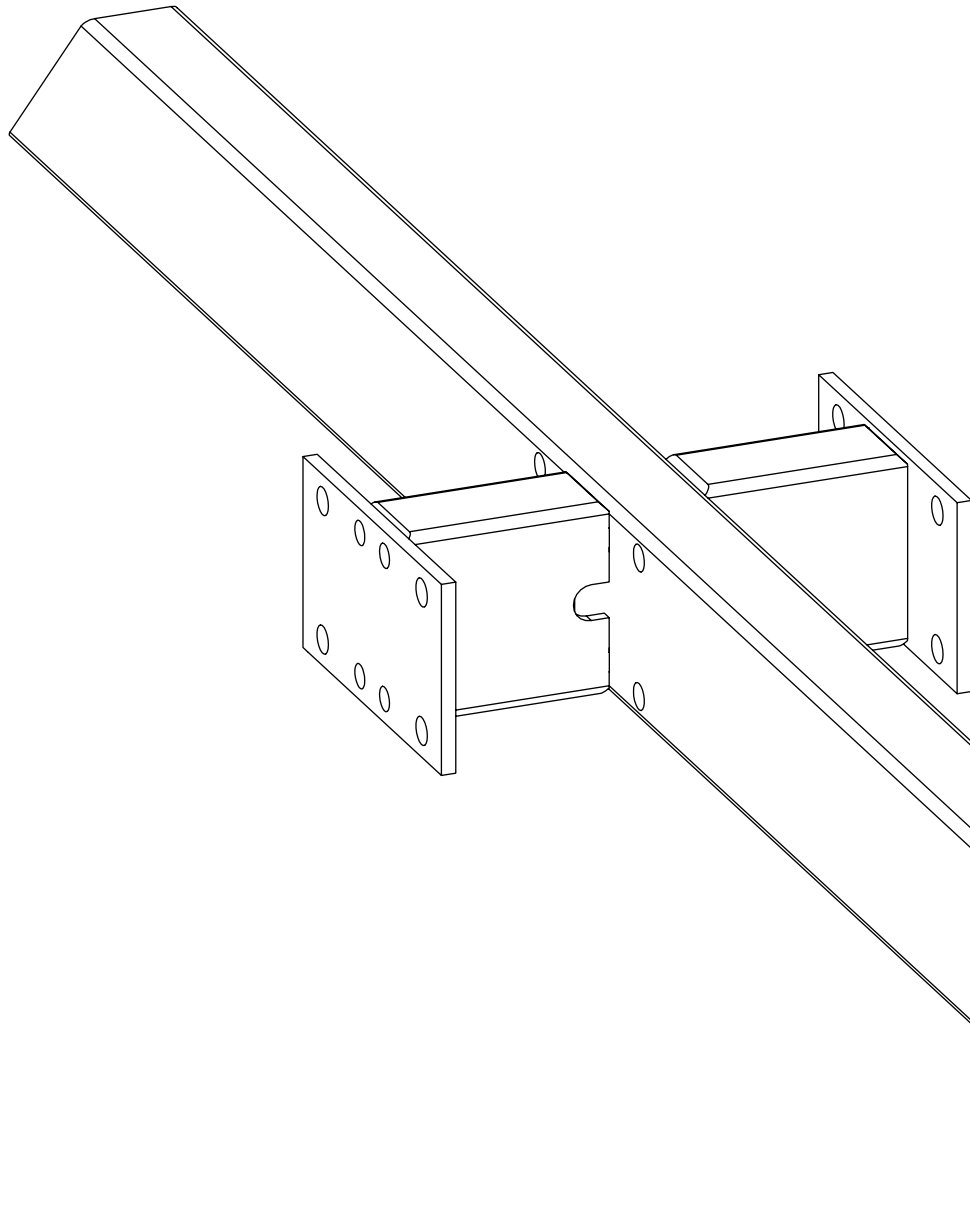


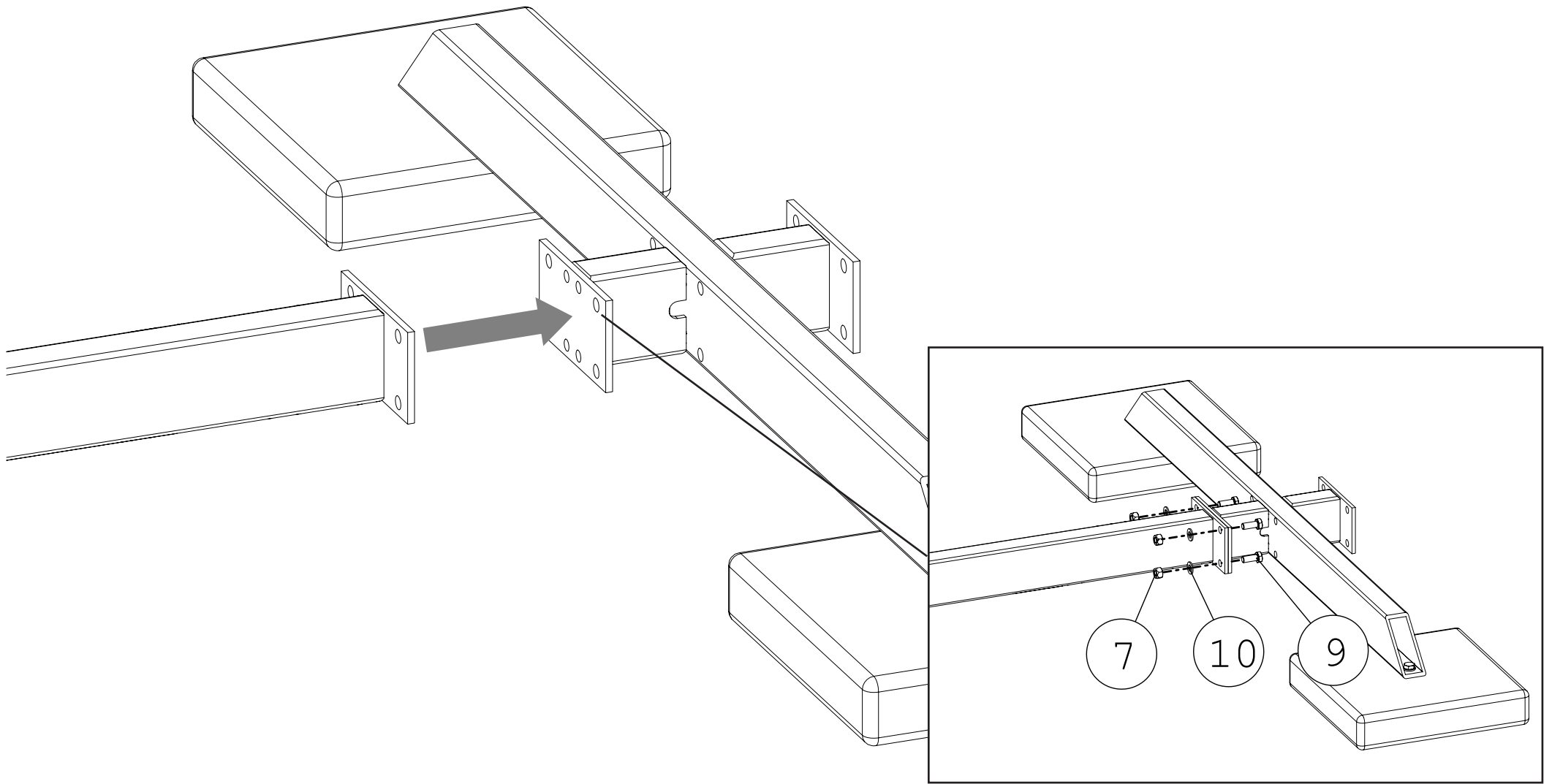
BOM ID	IMAGE	QUANTITY	DESCRIPTION	DOCUMENT ID	WEIGHT
1		2	Concrete base	SW42011	12.29
2		1	Swingjoint compl. Mid post f. Lillie	SW63646	3.88
3		1	Mid anchor beam S	SW63877	15.82
4		1	Swing leg w. Foot S	SW64171	25.09
5		1	Adapter f. Expansion	SW64307	11.72
6		1	HUCK Birdnest w. Rope/Chain	SW65420	23.36
7		16	Nut, ISO7042-M10-8	8042810	0.012
8		4	U-schackle	SW20172	0.02
9		10	Screw, ISO4017-M10x25-8.8	8008371	0.0263
10		18	Washer ISO7089-10.5x20x2	8050050	0.004

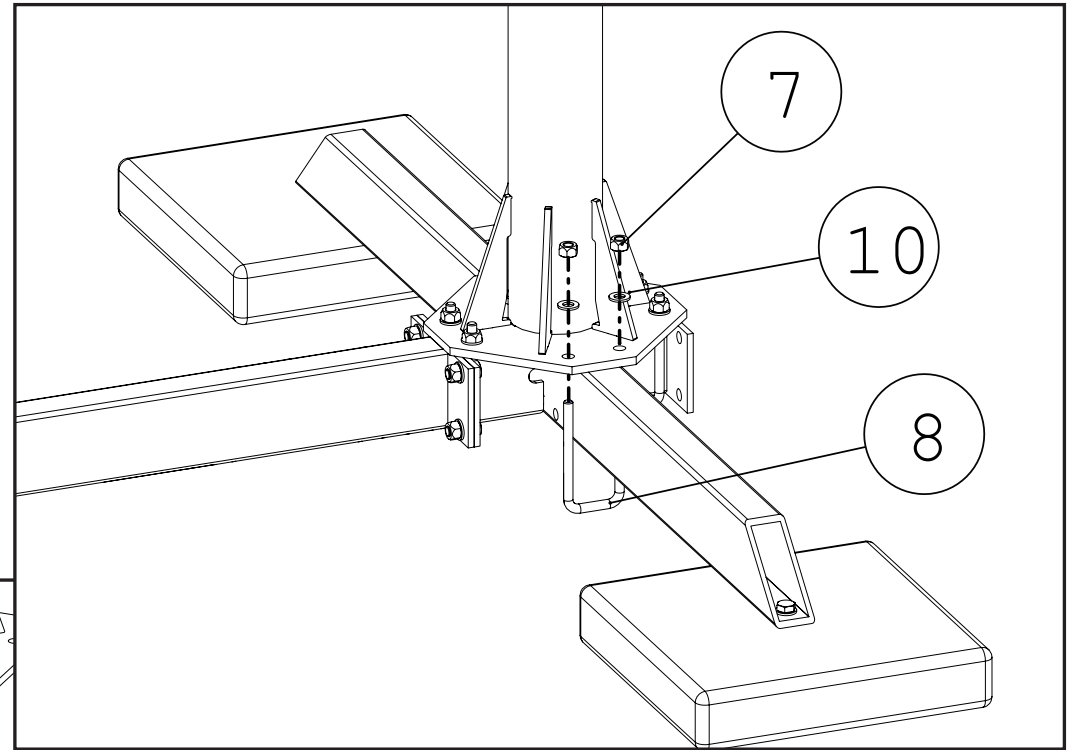
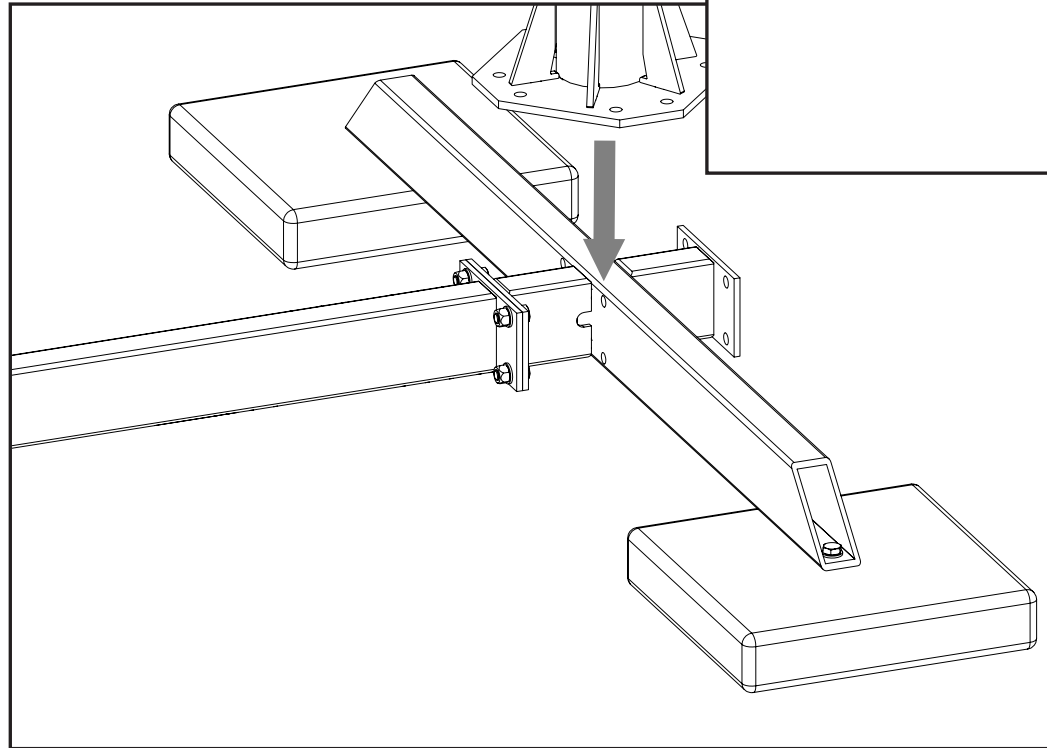
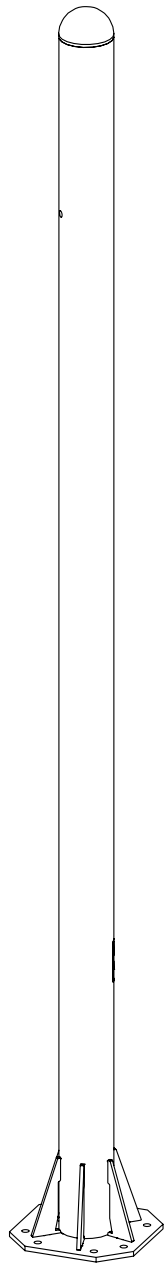


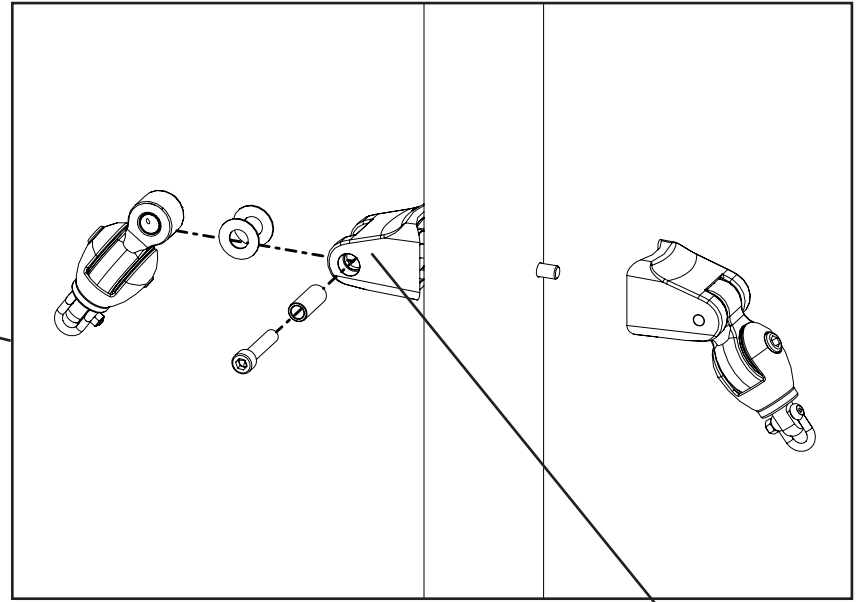
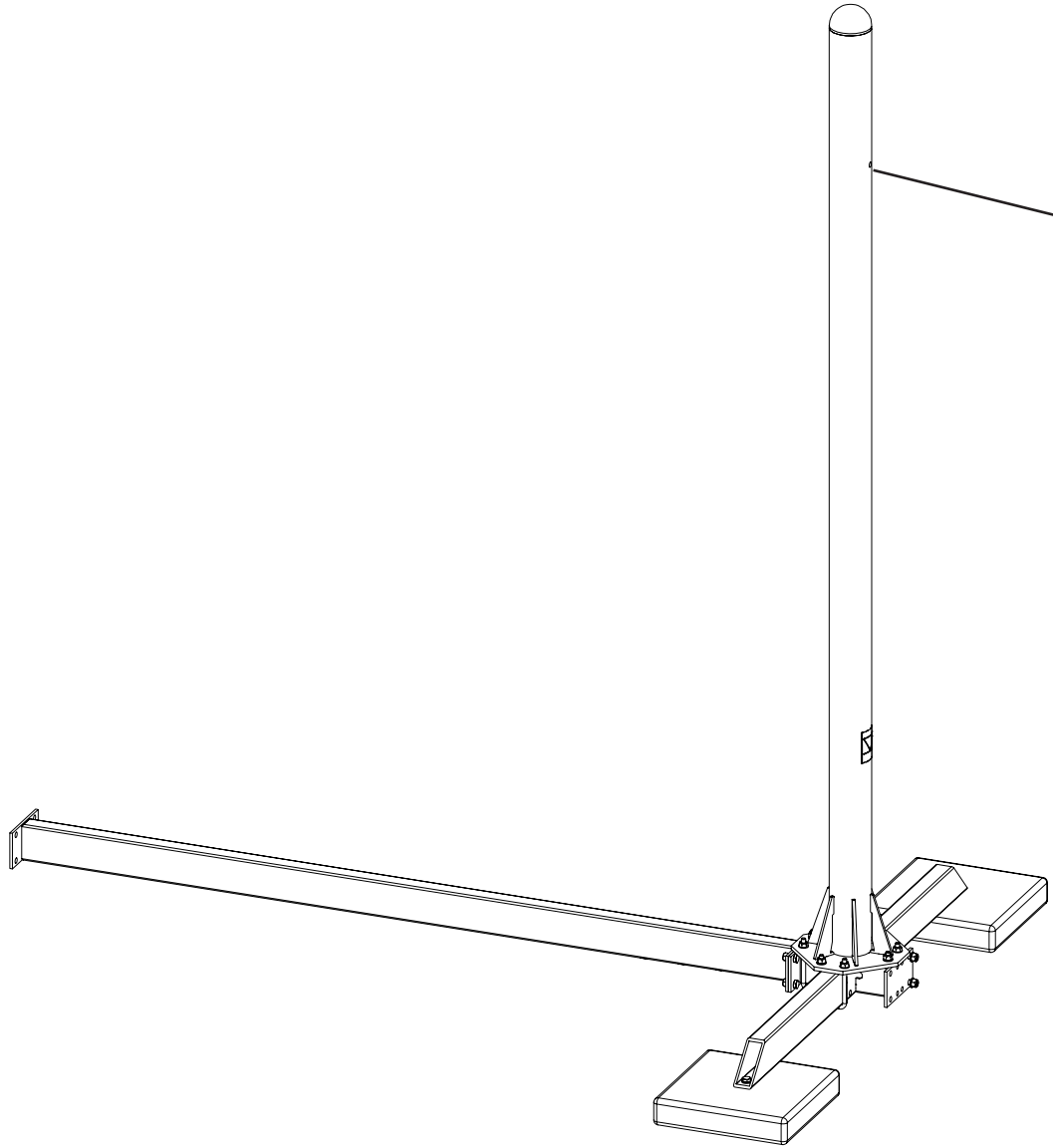












33 Nm

