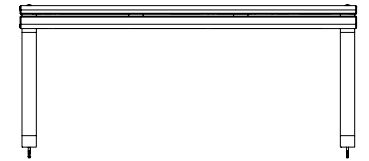
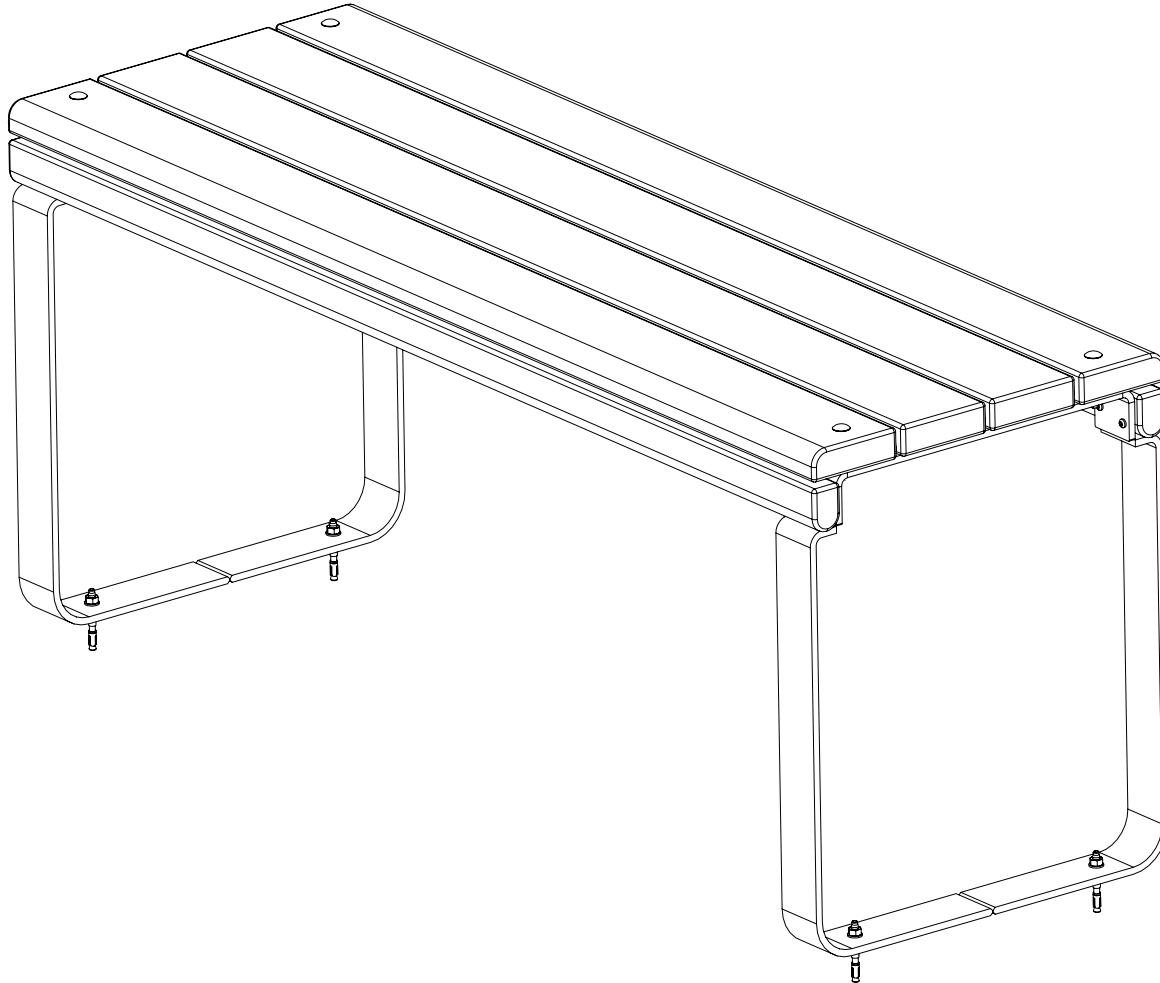

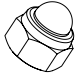


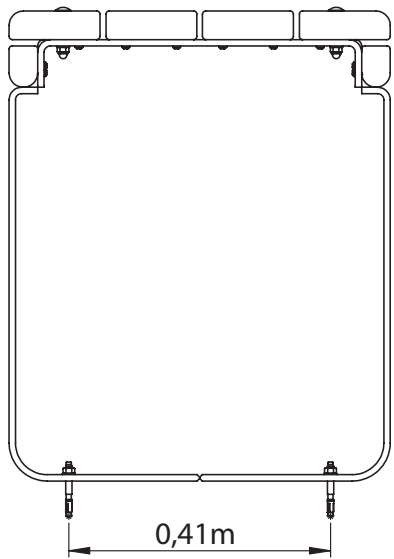
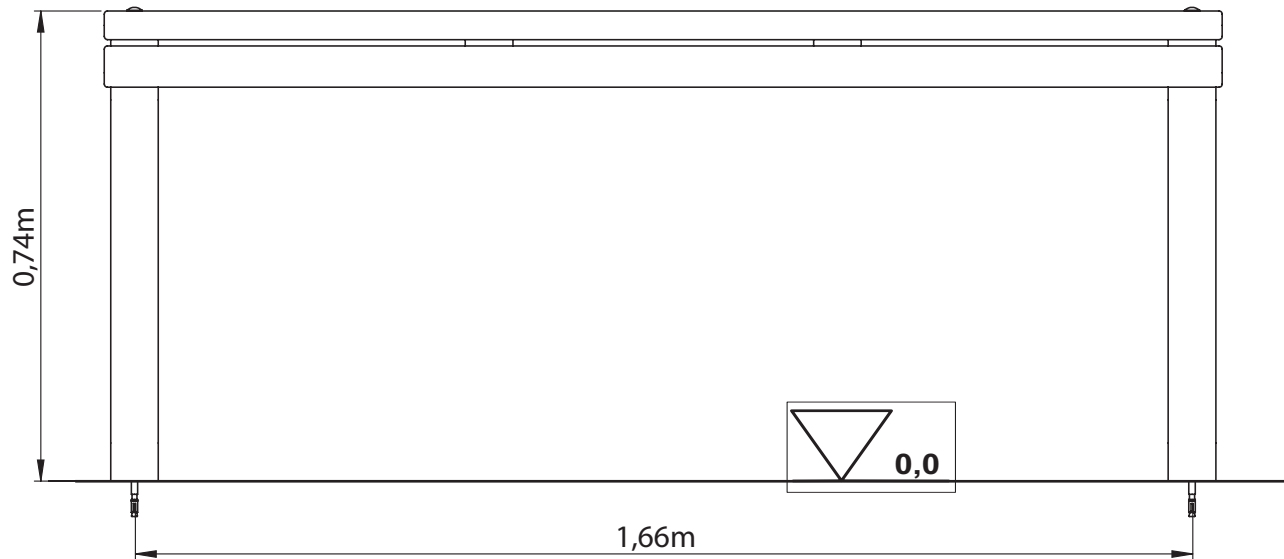
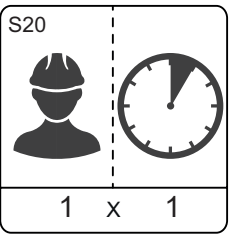
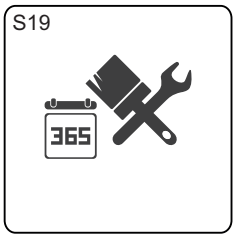
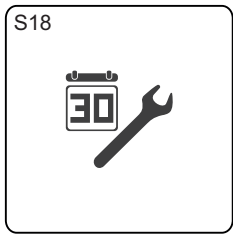
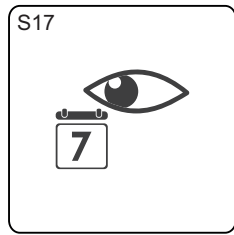
# HAGS®

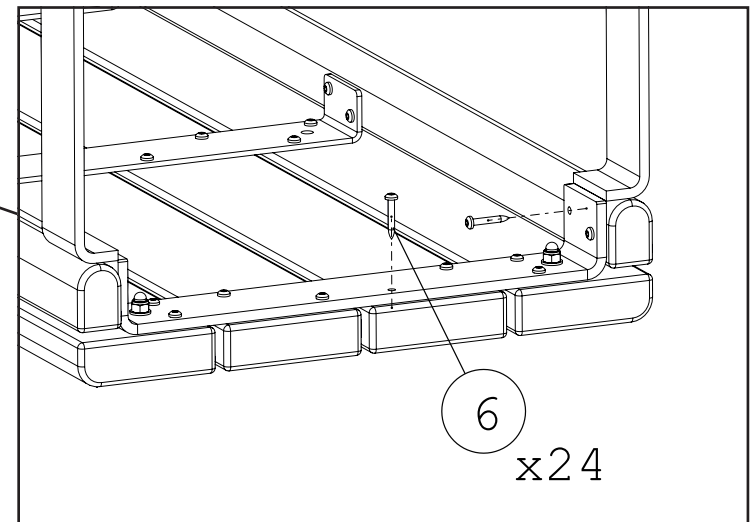
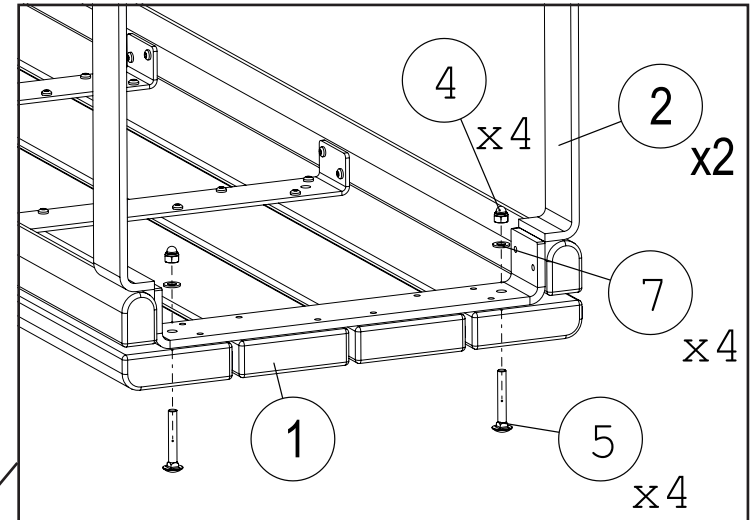
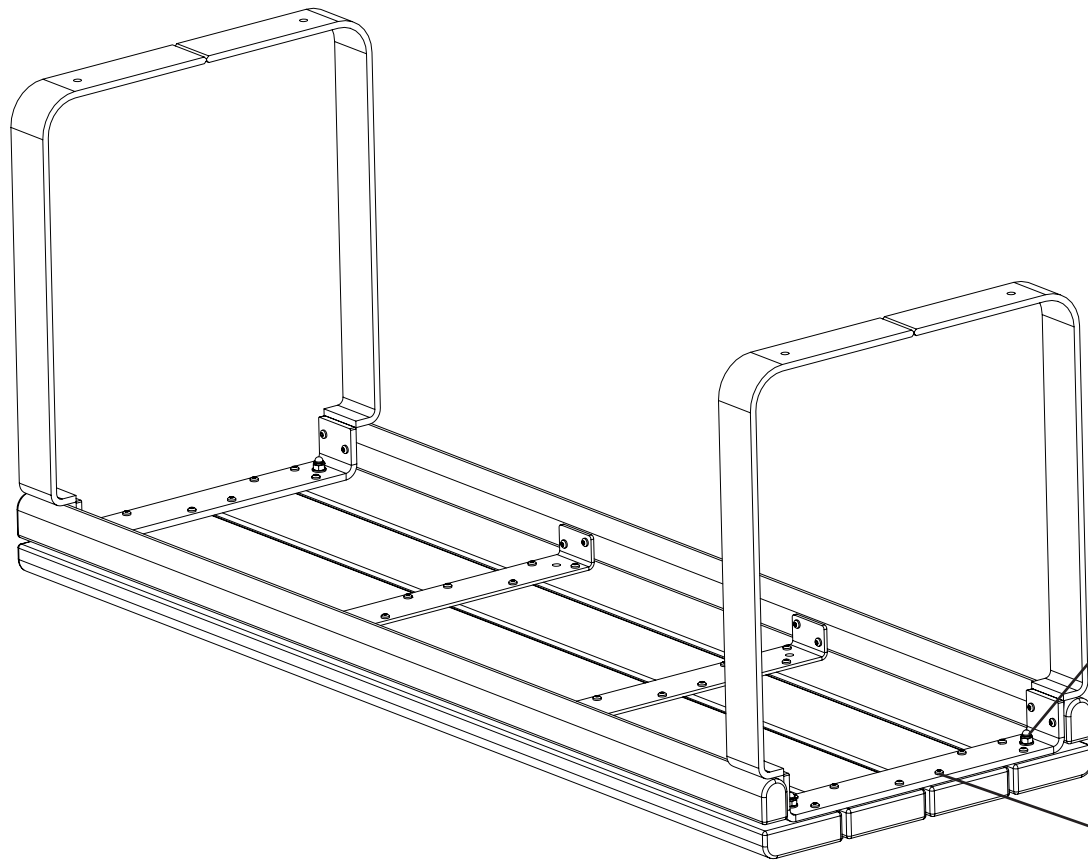
## Rosenlund Table

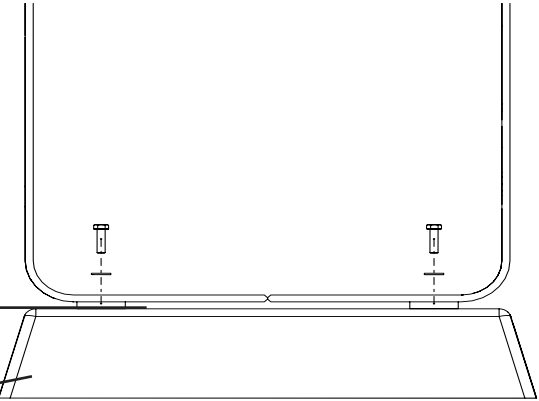
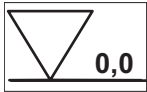
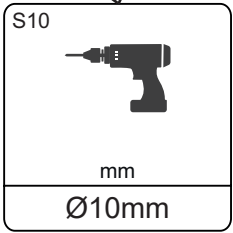
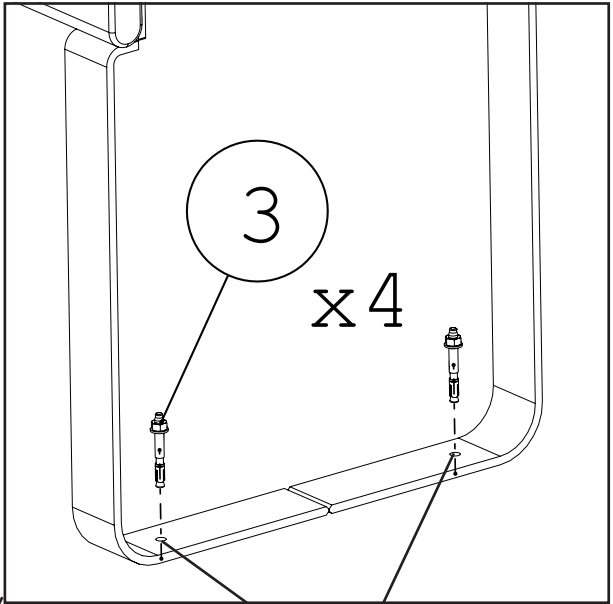
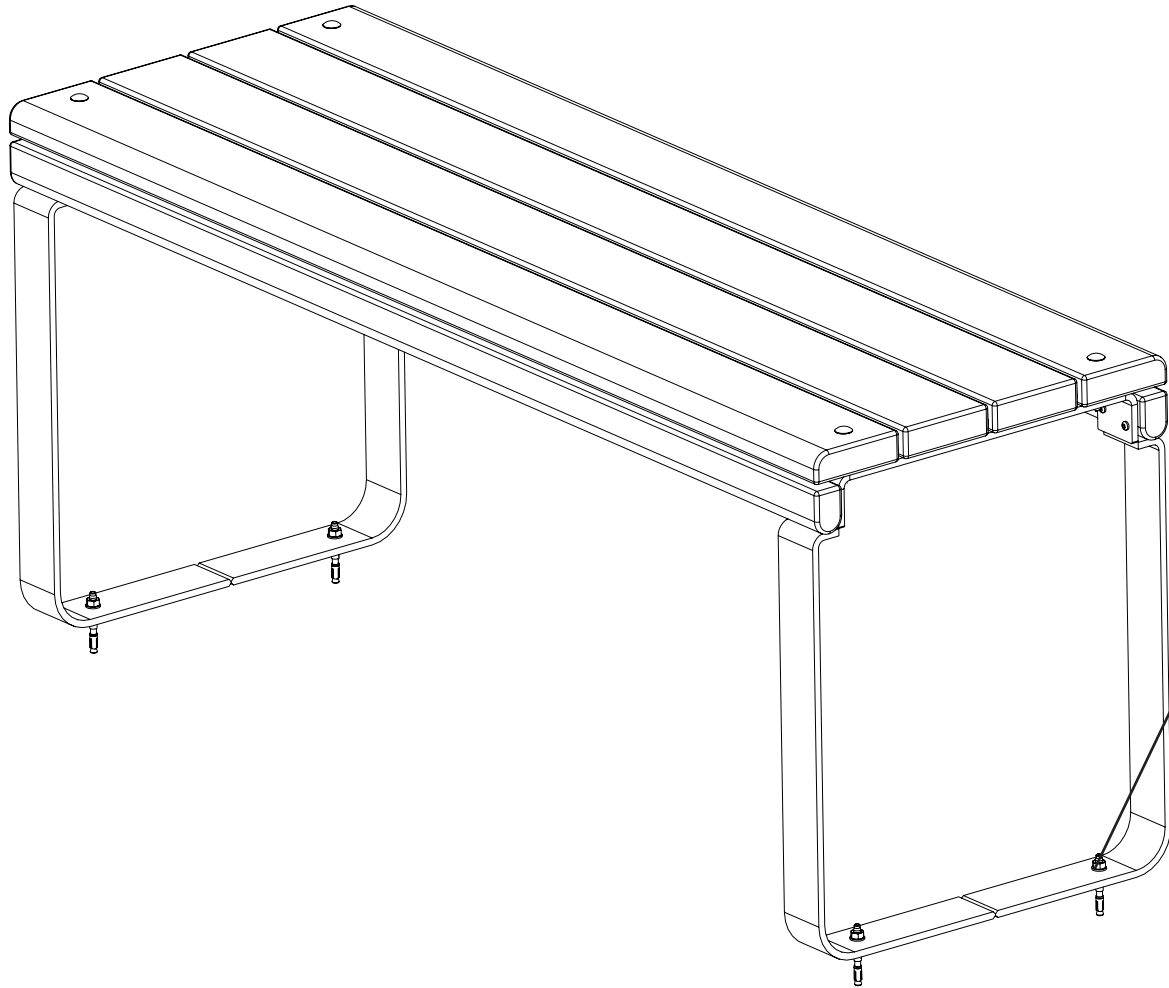
MASW75133



1	SW74442		1x 1760 x 601 x 120 mm	22.15kg
2	SW75519		2x 685 x 600 x 75 mm	14.38kg
3	8008561		4x M10x86 HDG	0.04kg
4	8008754		4x DIN986-M10-8	0.015kg
5	8039296		4x ISO8677-M10x70-8.8	0.057kg
6	8008732		24x SPAX-TKT-6x40-8.8	0.01kg
7	8050050		4x ISO7089-10.5x20x2	0.004kg







MASW78996