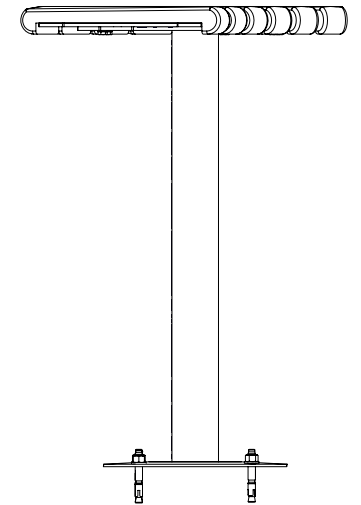








OM




1	SW71157		1x	3.20kg
2	SW76516		1x	6.21kg
3	8008559		4x M12x86 HDG	0.06kg
4	8008340		8x ISO4017-M8x16-8.8	0.0123kg
5	8050049		8x ISO7089-8.4x16x1.6	0.002kg


S17




S18



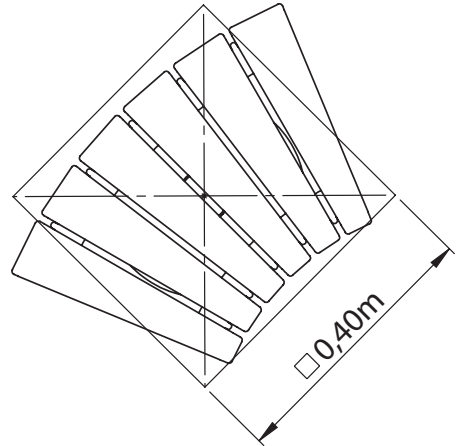
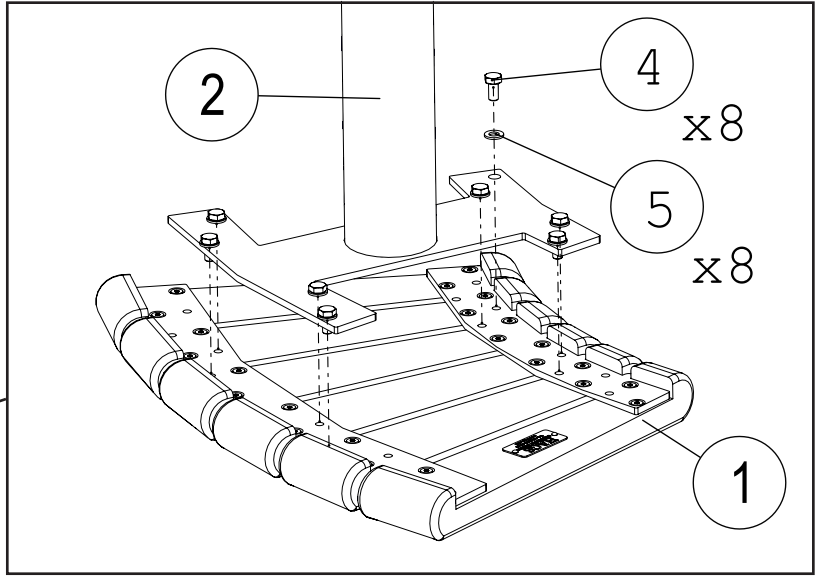
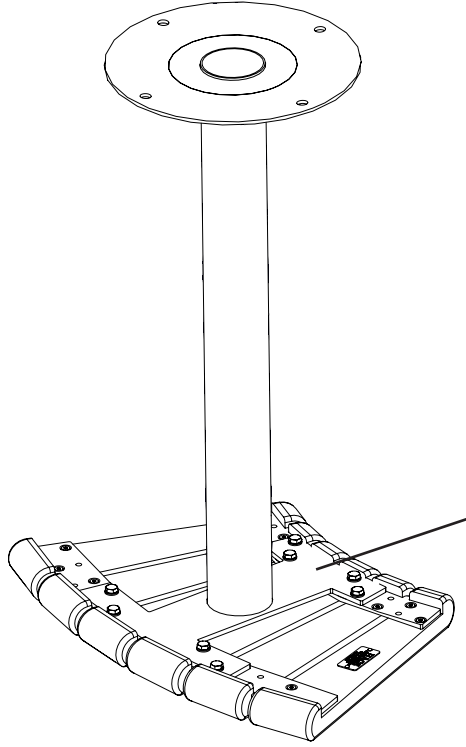
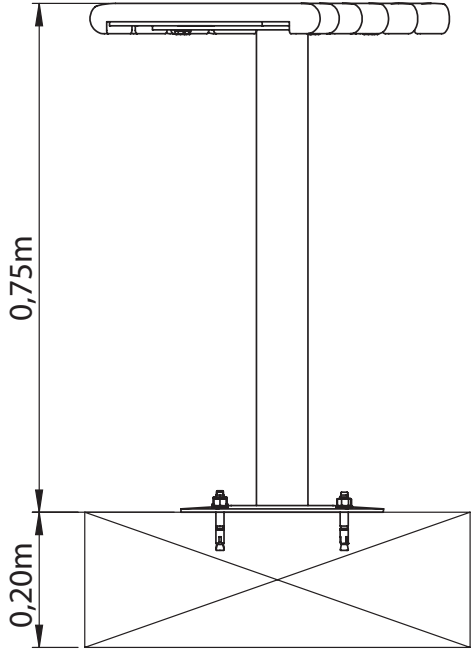
S19




S20




1 x 0,5




S25



≥C20/25
S1-S3



1x24h



101

