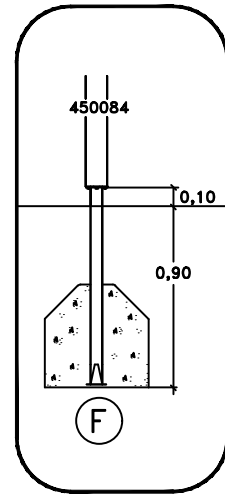
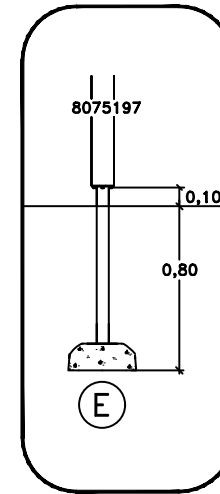
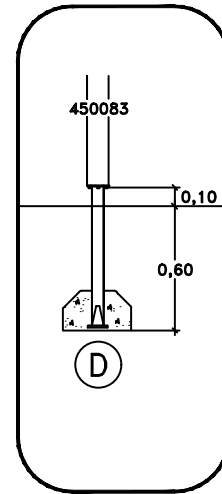
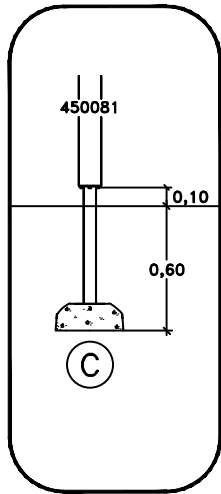
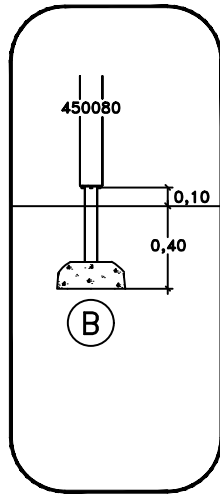
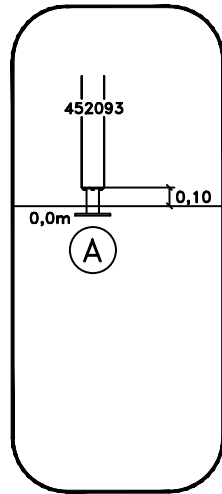


260329
441000
42008010
MA45077010 [SF]
MA450994
MA452213 [OM]
MA45277010 [OM]
MA453213 [SF]
MA454213 [BM]
MA45477010 [BM]
MASW39775
MASW42193
MASW63820
ST4203

42008010



OM
Above Ground

8105798
80 _____
80 _____
80 _____
80 _____

SF
Sunken Foundation

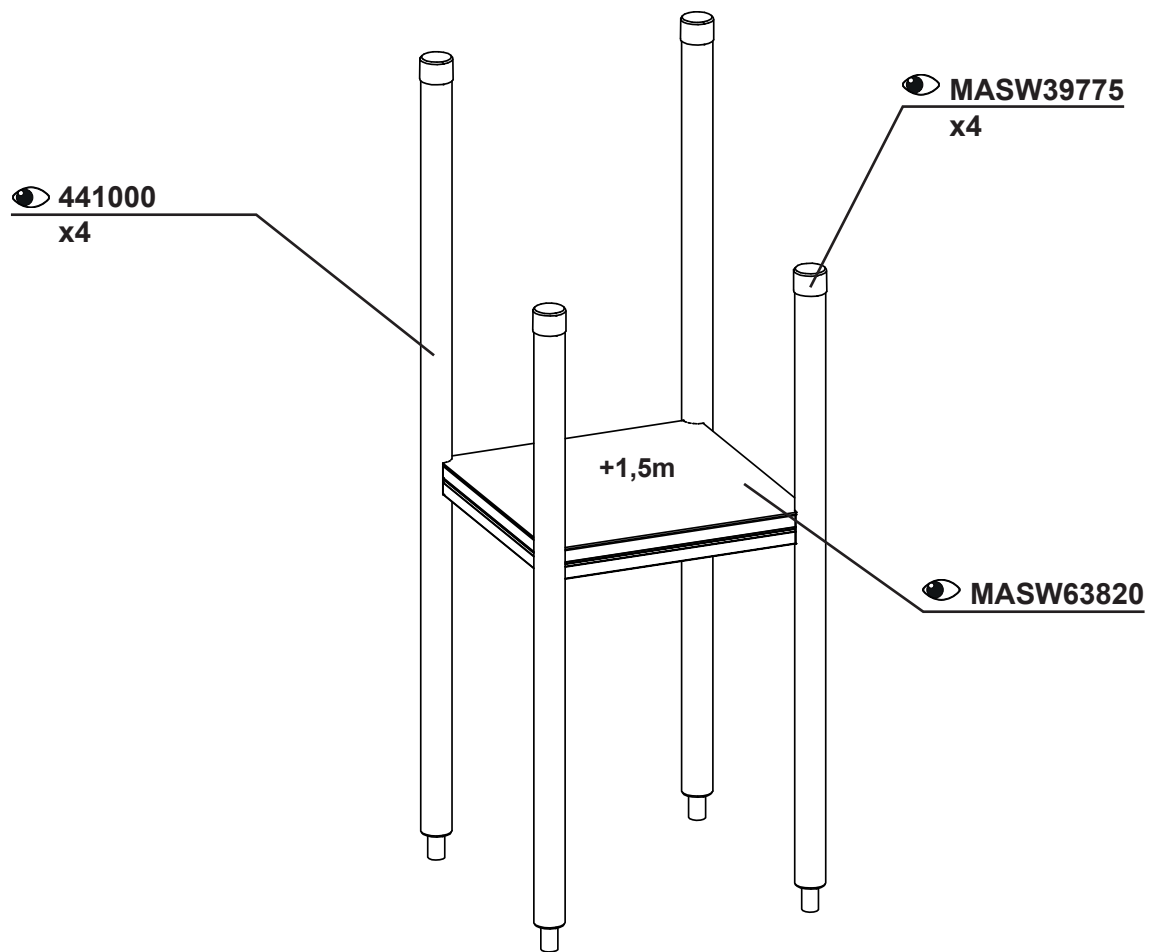
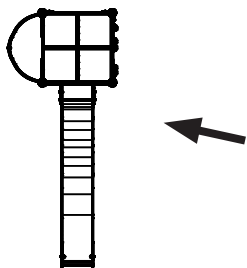
8105799
80 _____
80 _____
80 _____
80 _____

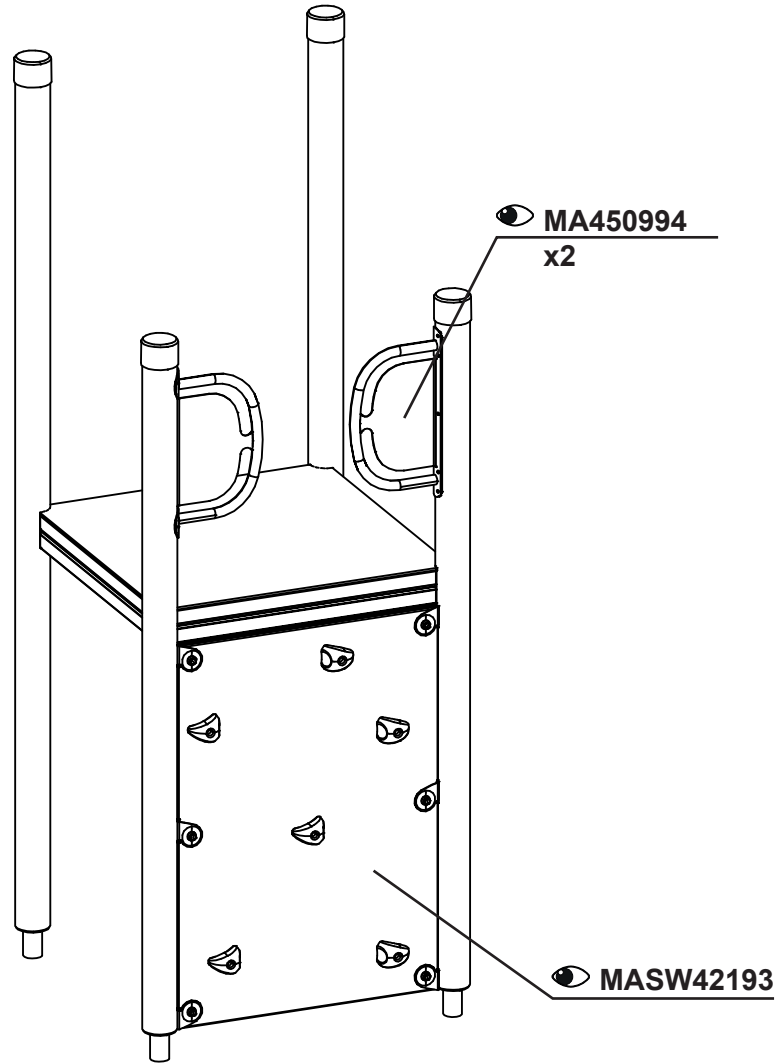
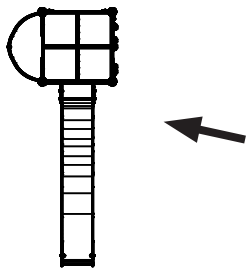
CC
Cast In Place

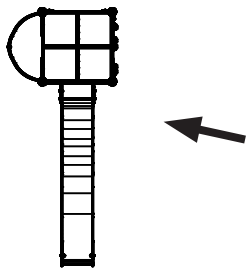
8077979
8105794
80 _____
80 _____

BM
Loosefill

80 _____
80 _____
80 _____
80 _____

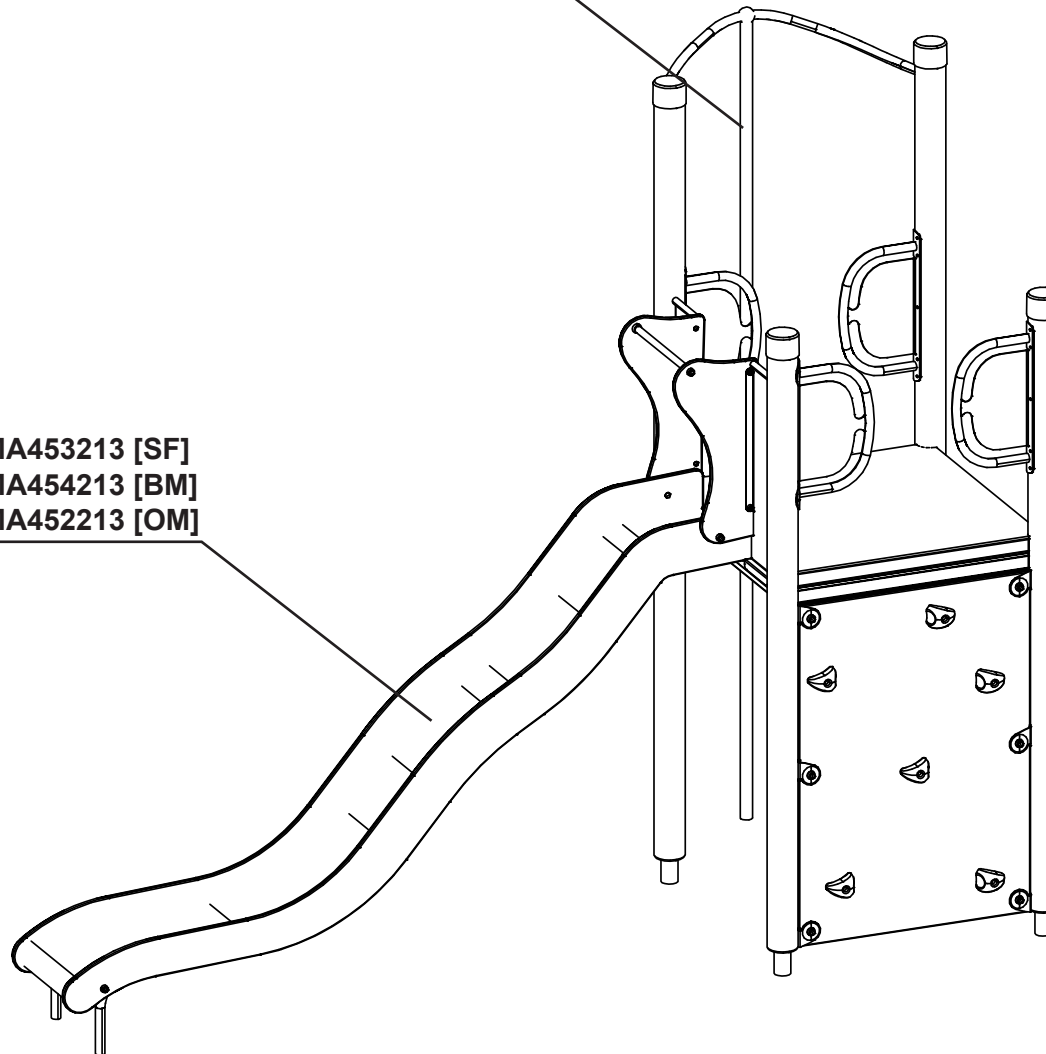


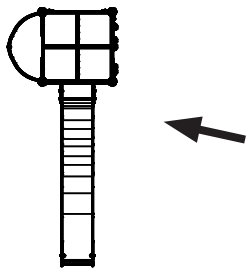




- MA45077010 [SF]
- MA45477010 [BM]
- MA45277010 [OM]

- MA453213 [SF]
- MA454213 [BM]
- MA452213 [OM]





HAGS
260329

ST4203

