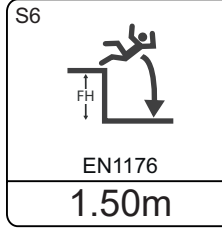
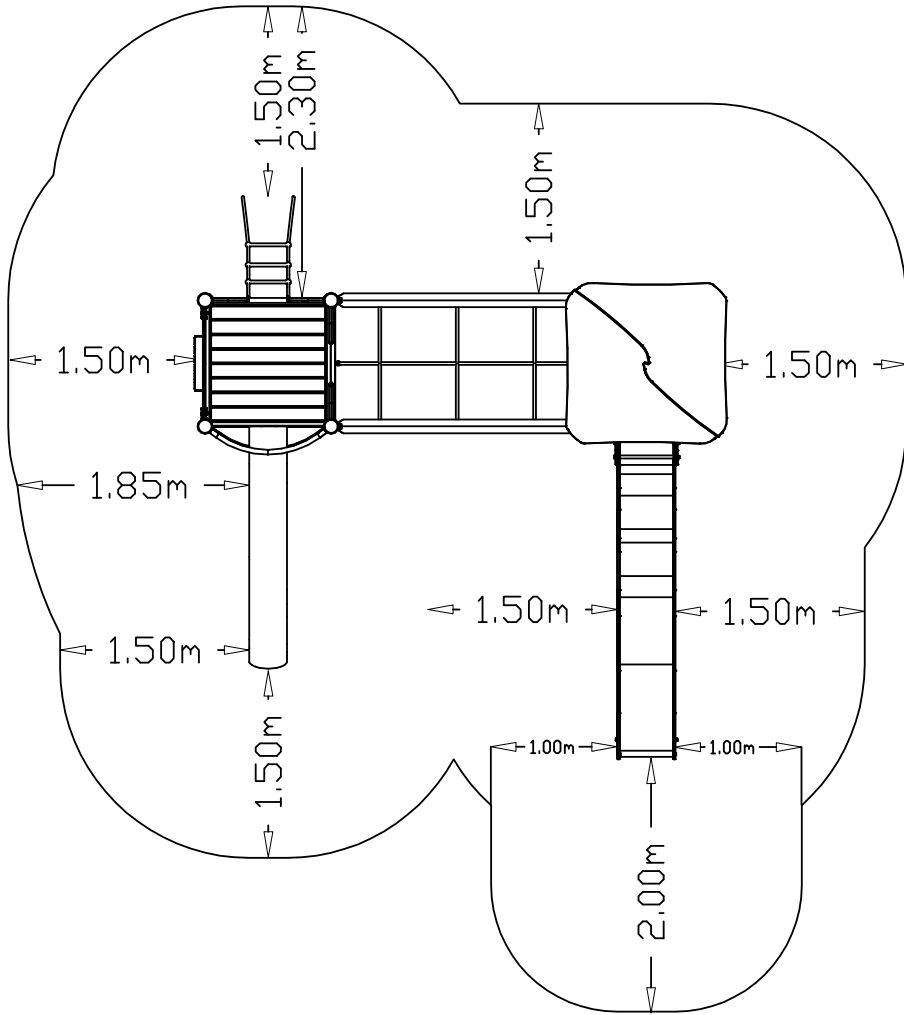


EN 1176

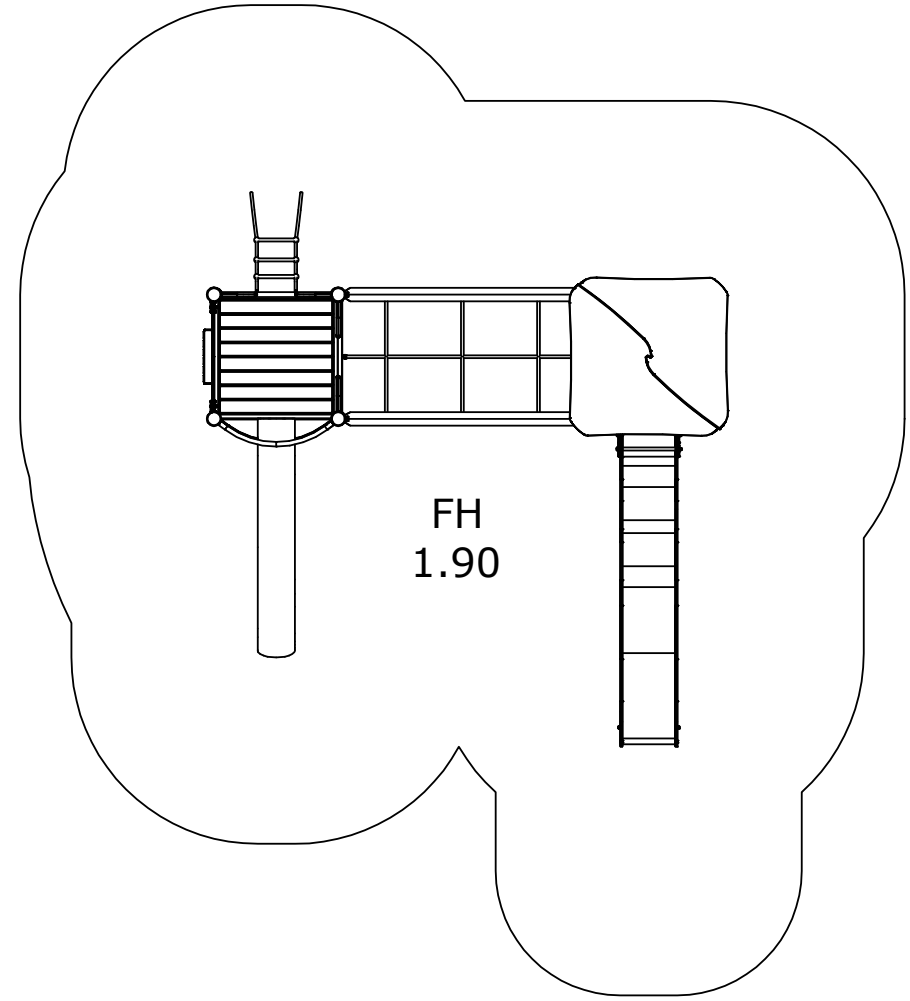


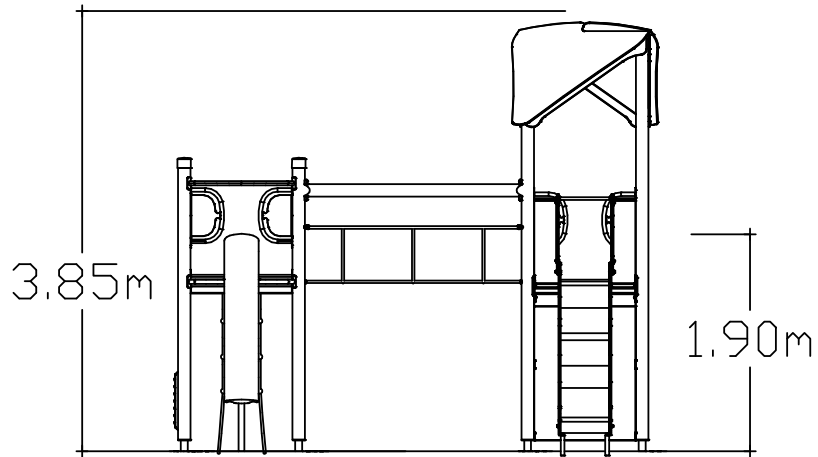
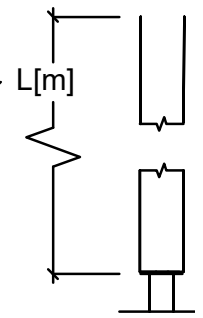
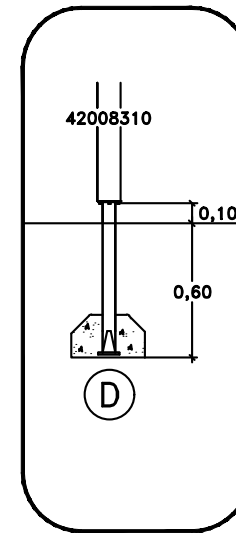
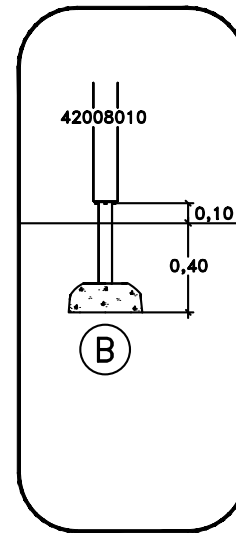
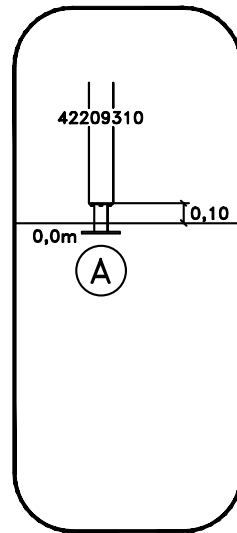
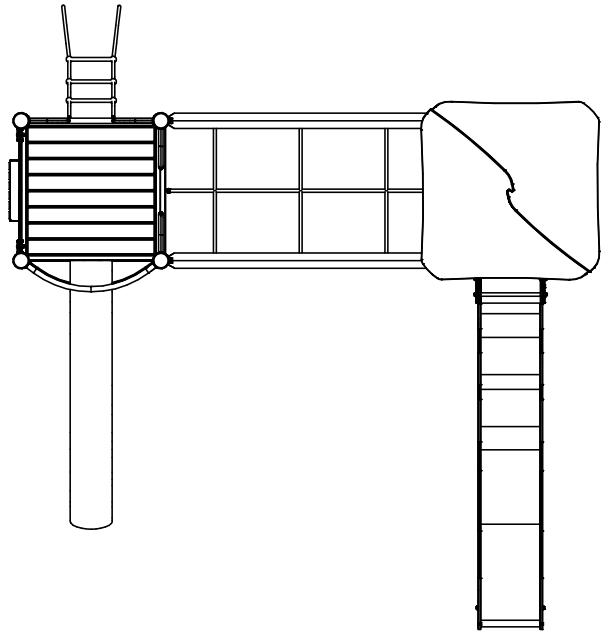
7.10m

4.20m

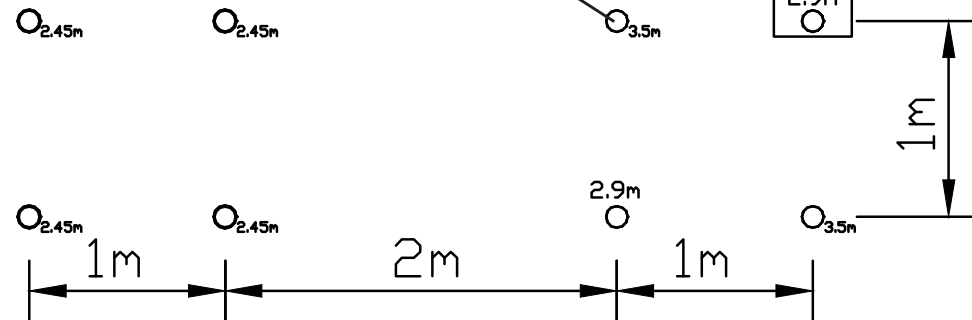


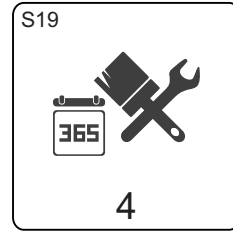
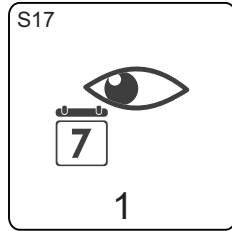
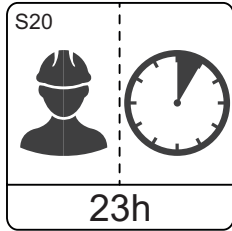
4.45m  
7.95m





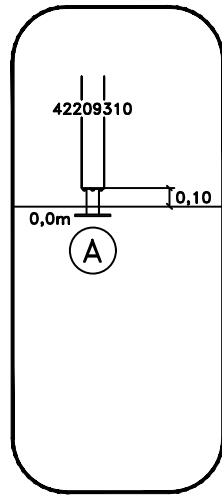
42008010





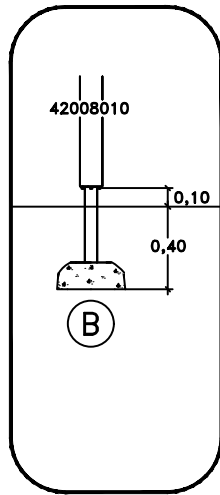
**4203**  
**260329**  
**420960**  
**448000**  
**42008010**  
**42071910 [SF]**  
**422212 [BM]**  
**42271910 [OM]**  
**423211 [SF]**  
**424212 [OM]**  
**42471910 [BM]**  
**MA426121**  
**MA450994**  
**MA62694**  
**MASW39102**  
**MASW39775**  
**MASW42193**  
**MASW78438**

42008010



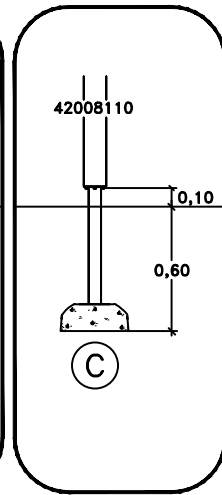
**OM**  
**Above Ground**

8105976  
80 \_\_\_\_\_  
80 \_\_\_\_\_  
80 \_\_\_\_\_



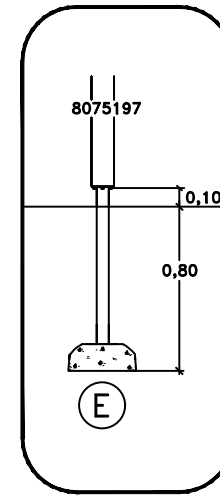
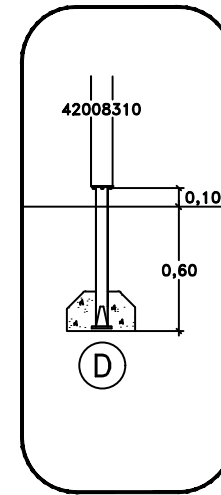
**SF**  
**Sunken Foundation**

8105978  
80 \_\_\_\_\_  
80 \_\_\_\_\_  
80 \_\_\_\_\_



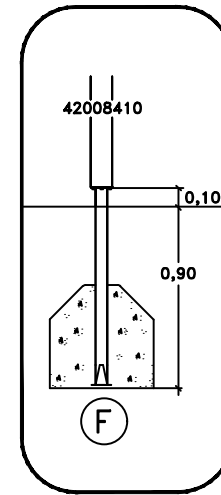
**CC**  
**Cast In Place**

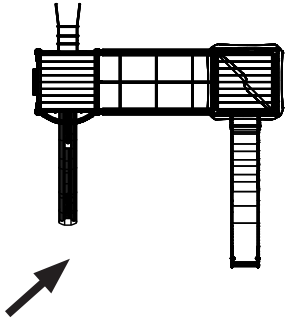
8077988  
8105973  
80 \_\_\_\_\_  
80 \_\_\_\_\_



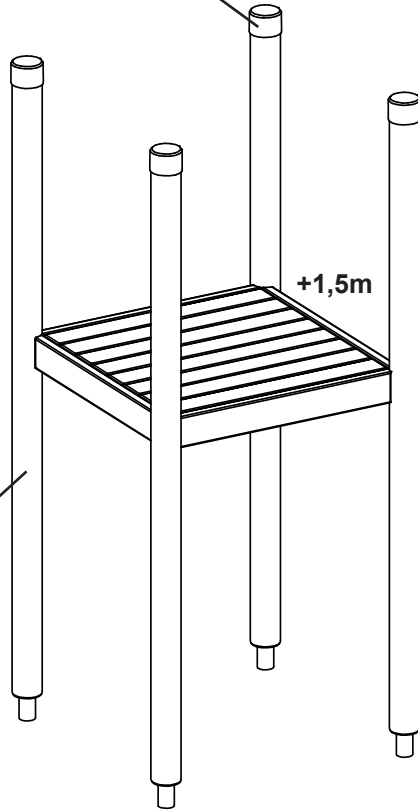
**BM**  
**Loosefill**

80 \_\_\_\_\_  
80 \_\_\_\_\_  
80 \_\_\_\_\_  
80 \_\_\_\_\_

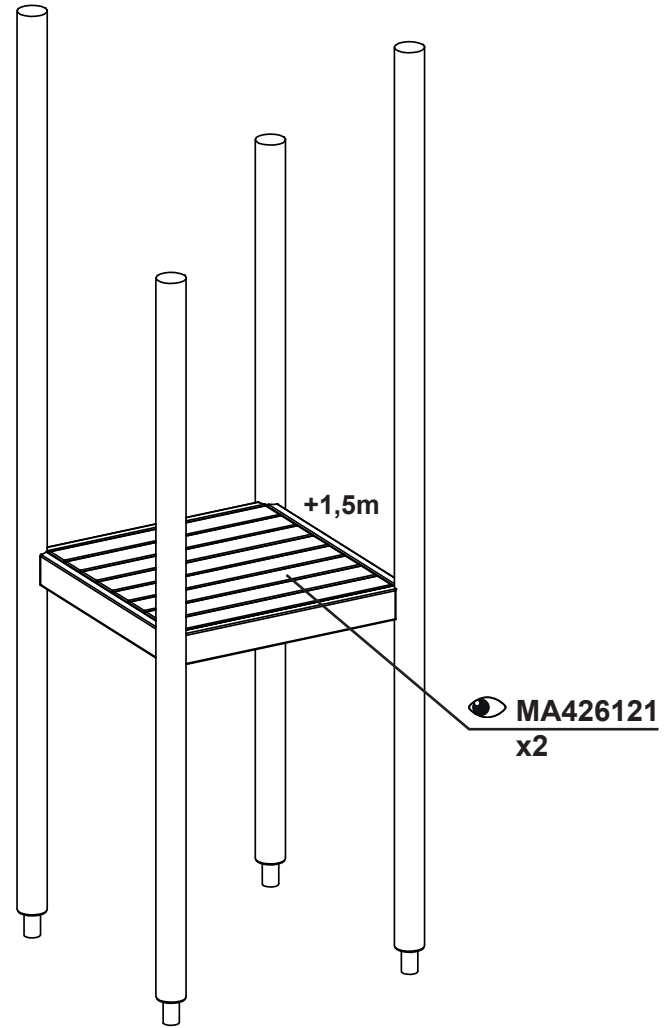


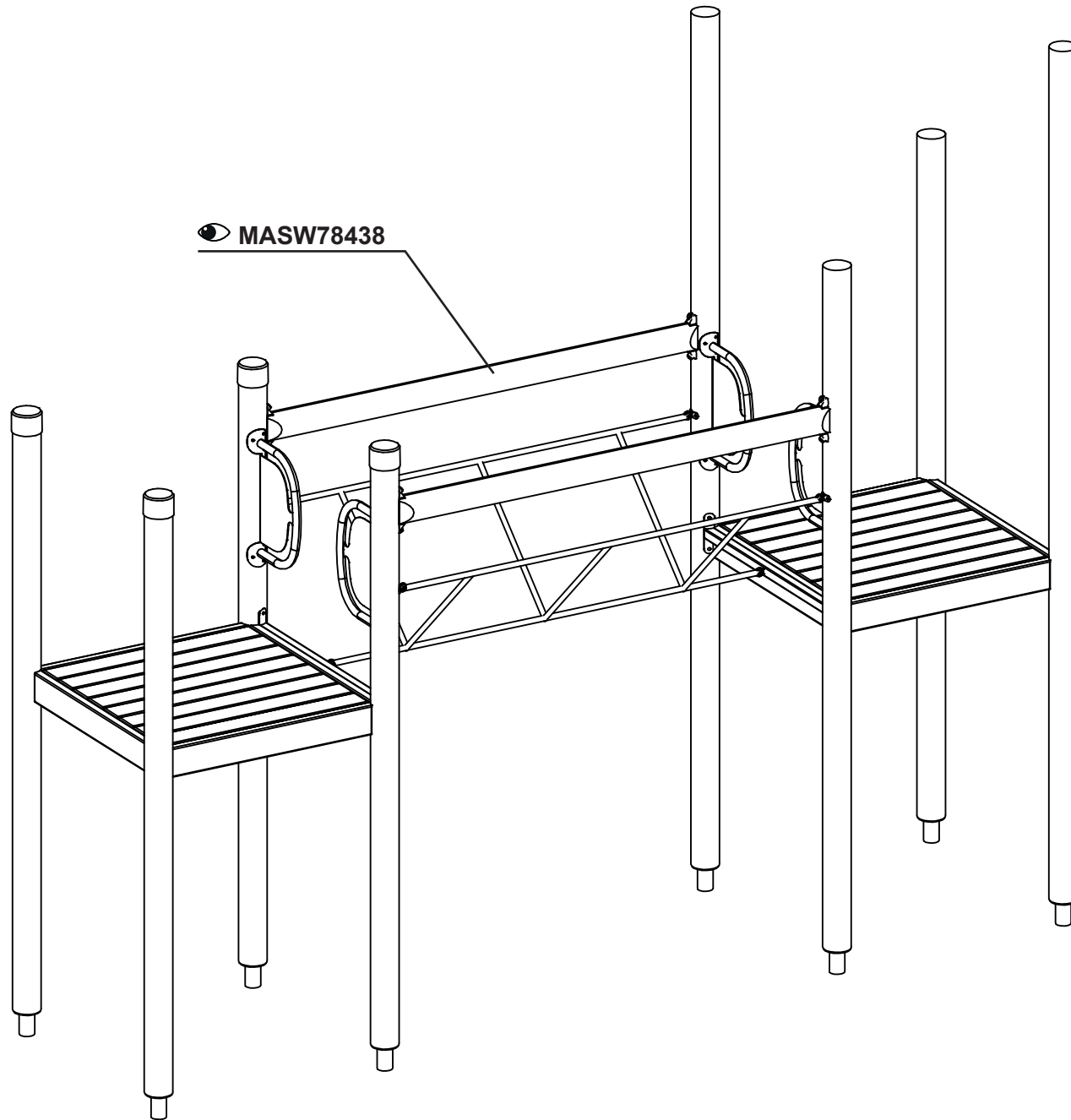
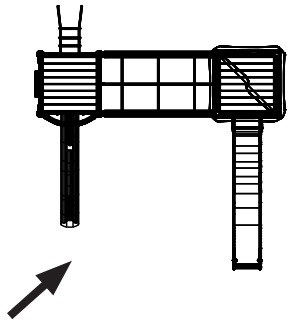


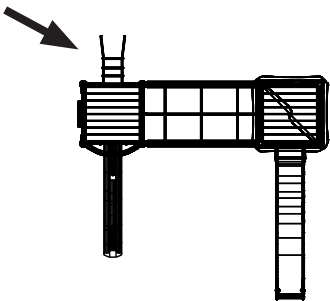
👁 MASW39775  
x4



👁 448000  
x8



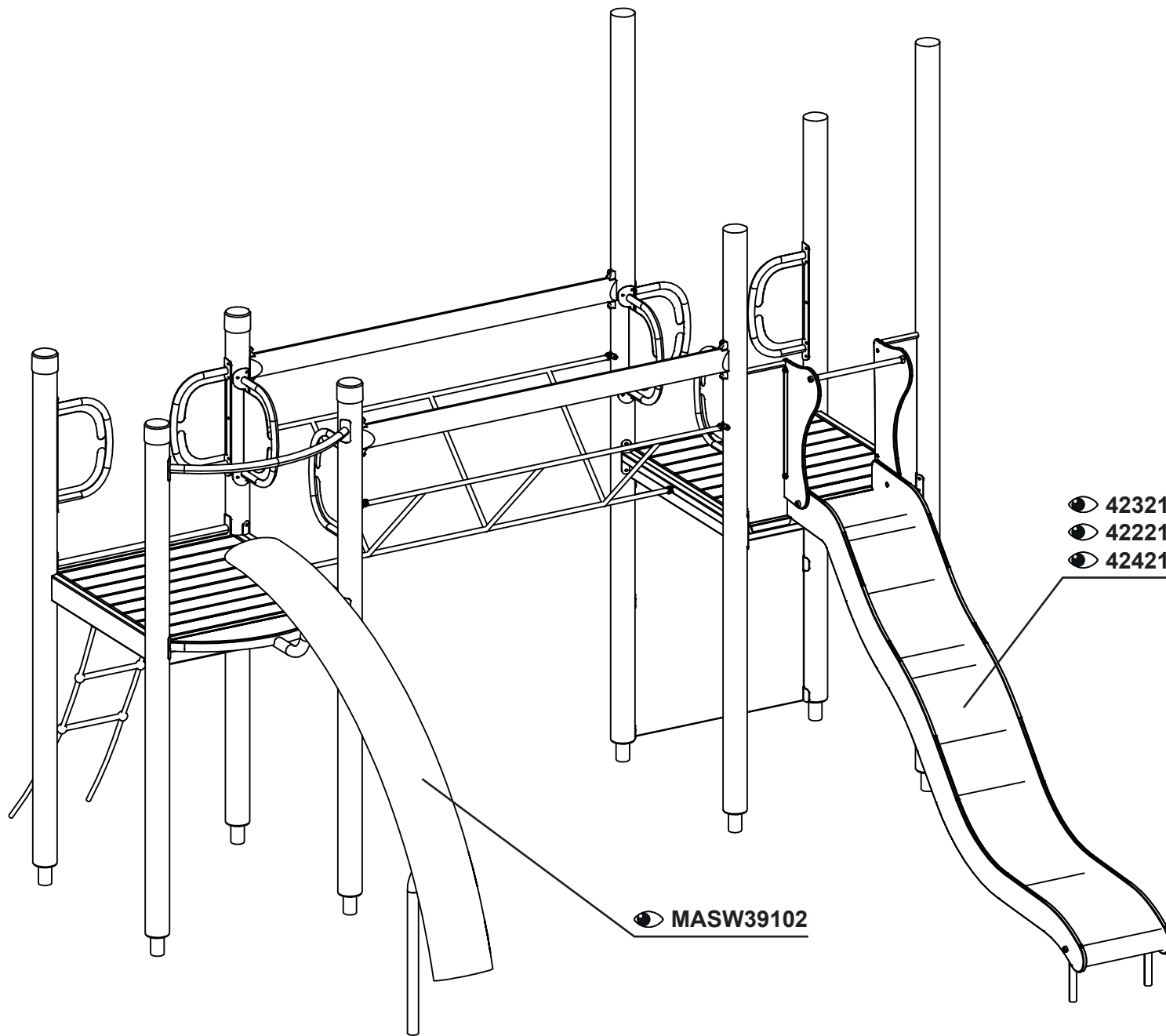
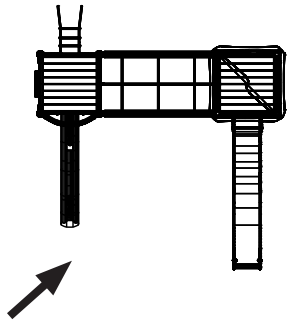




MA450994  
x4

MASW42193

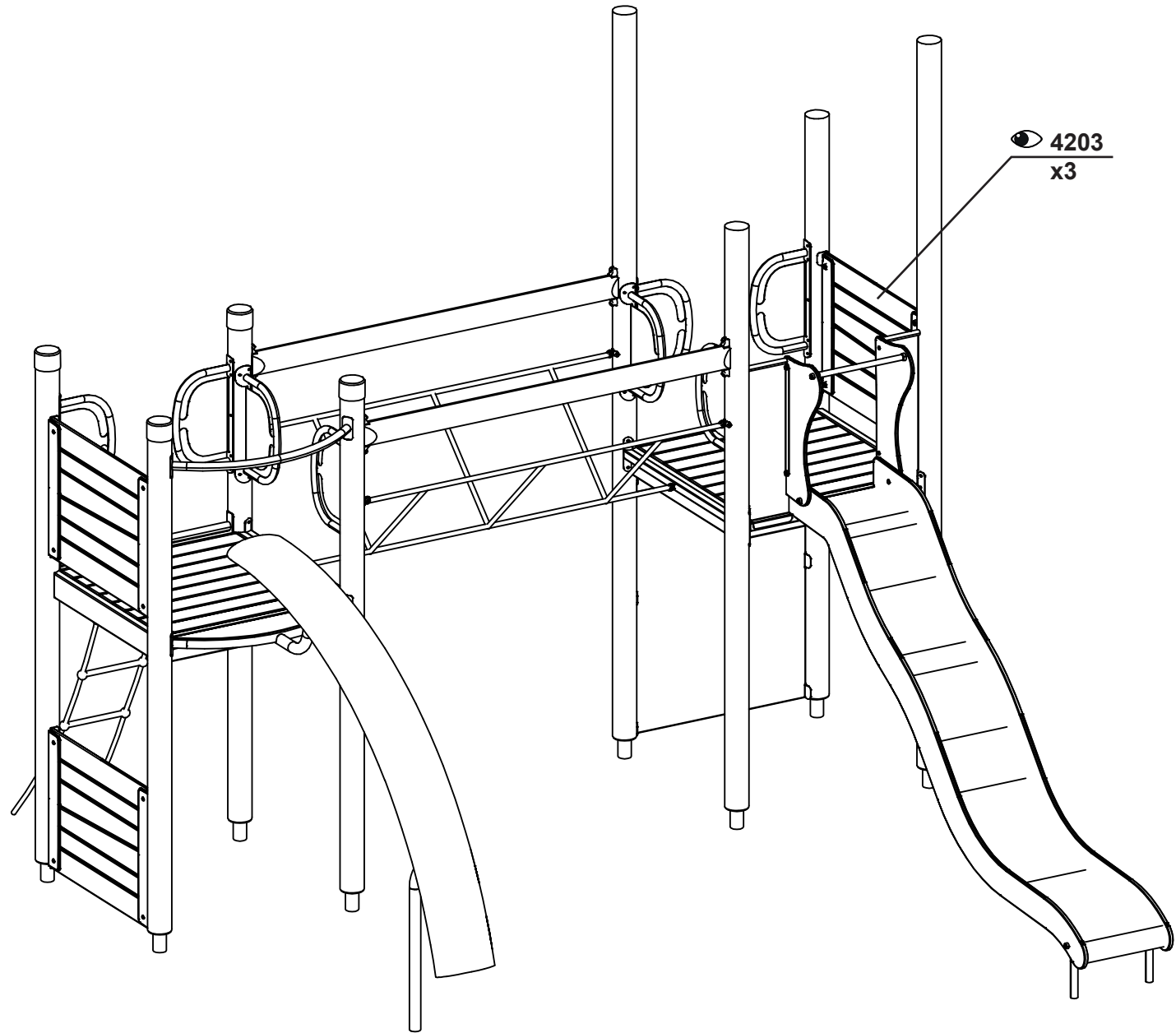
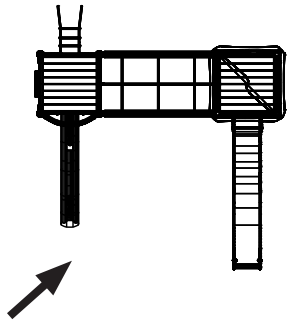
42071910 [SF]  
42471910 [BM]  
42271910 [OM]

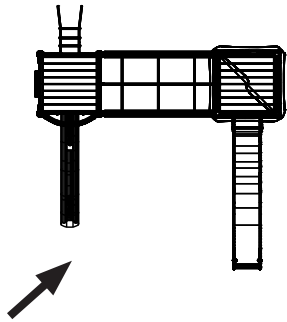


- 423211 [SF]
- 422212 [BM]
- 424212 [OM]

● MASW39102







MA62694

420960

HAGS 260329