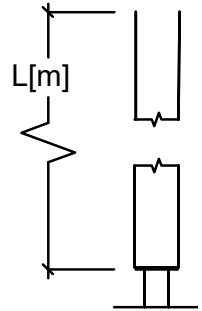
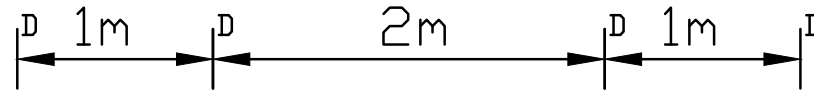
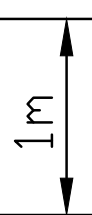
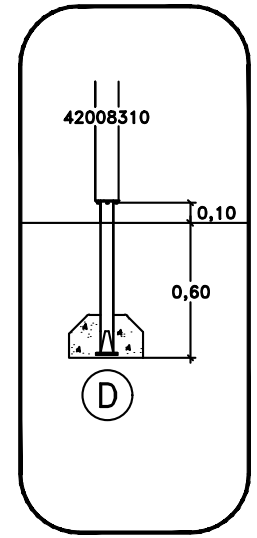
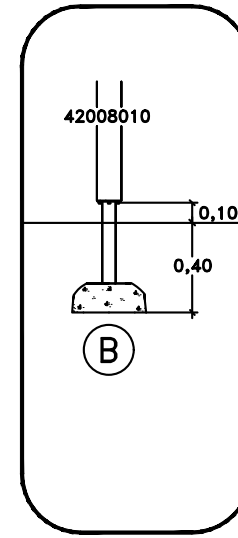
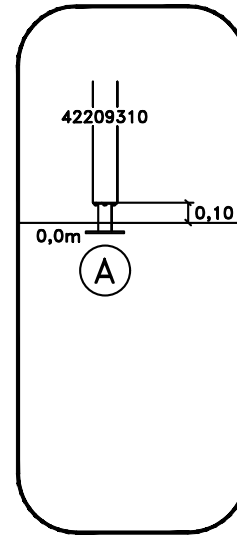
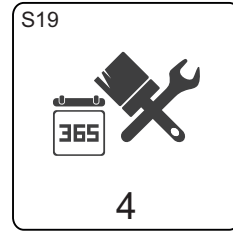
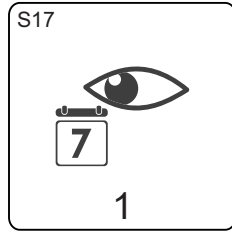
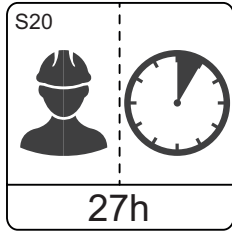
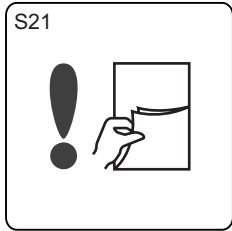


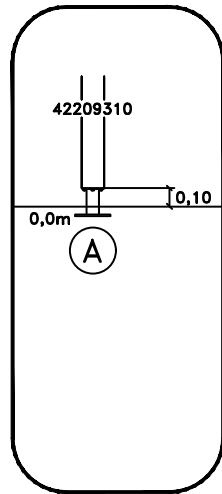
42008010





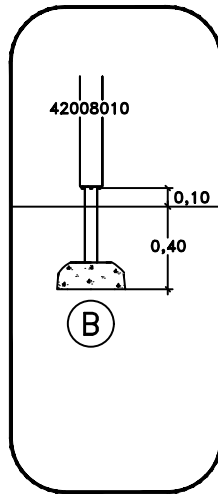
**4203**  
**260329**  
**448000**  
**42008010**  
**422212 [BM]**  
**423211 [SF]**  
**424212 [OM]**  
**MA42074115**  
**MA426121**  
**MA45060520**  
**MA450994**  
**MA62693**  
**MASW39102**  
**MASW39775**  
**MASW42193**  
**MASW78720**

42008010



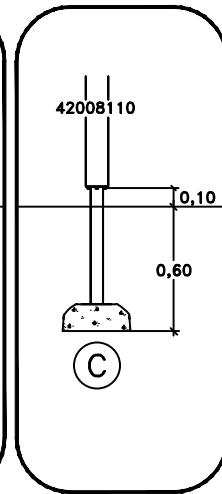
**OM**  
**Above Ground**

8106004  
 80 \_\_\_\_\_  
 80 \_\_\_\_\_  
 80 \_\_\_\_\_  
 80 \_\_\_\_\_



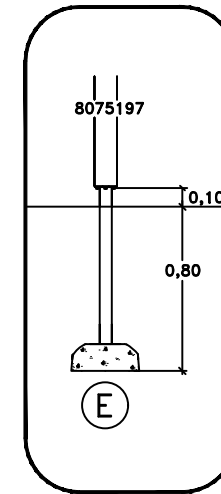
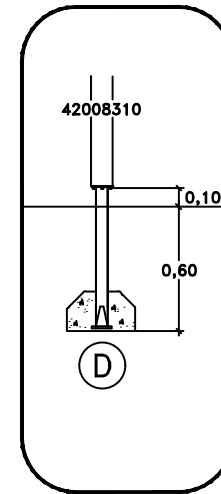
**SF**  
**Sunken Foundation**

8106005  
 80 \_\_\_\_\_  
 80 \_\_\_\_\_  
 80 \_\_\_\_\_  
 80 \_\_\_\_\_



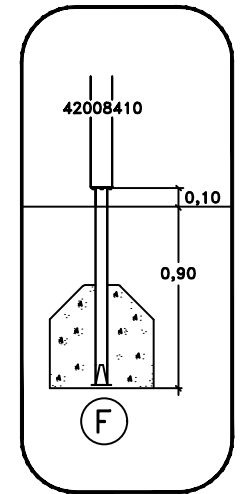
**CC**  
**Cast In Place**

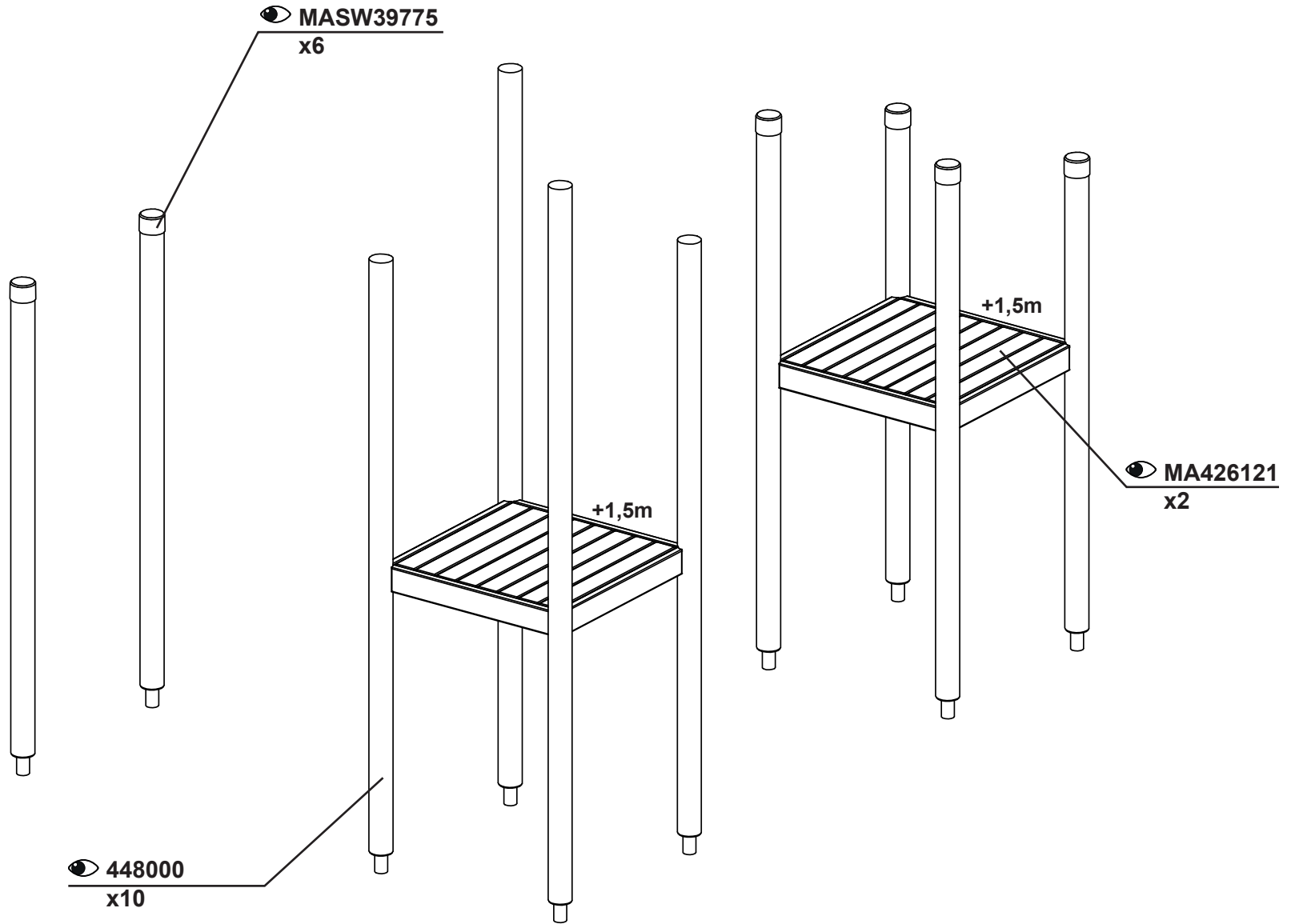
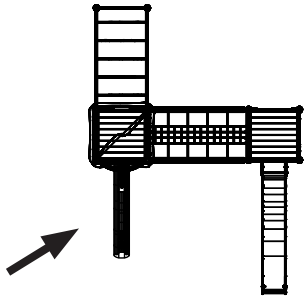
8077990  
 8106002  
 80 \_\_\_\_\_  
 80 \_\_\_\_\_

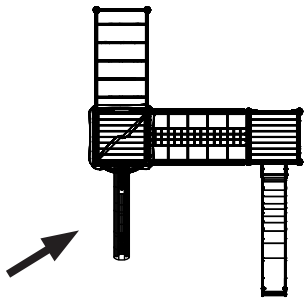


**BM**  
**Loosefill**

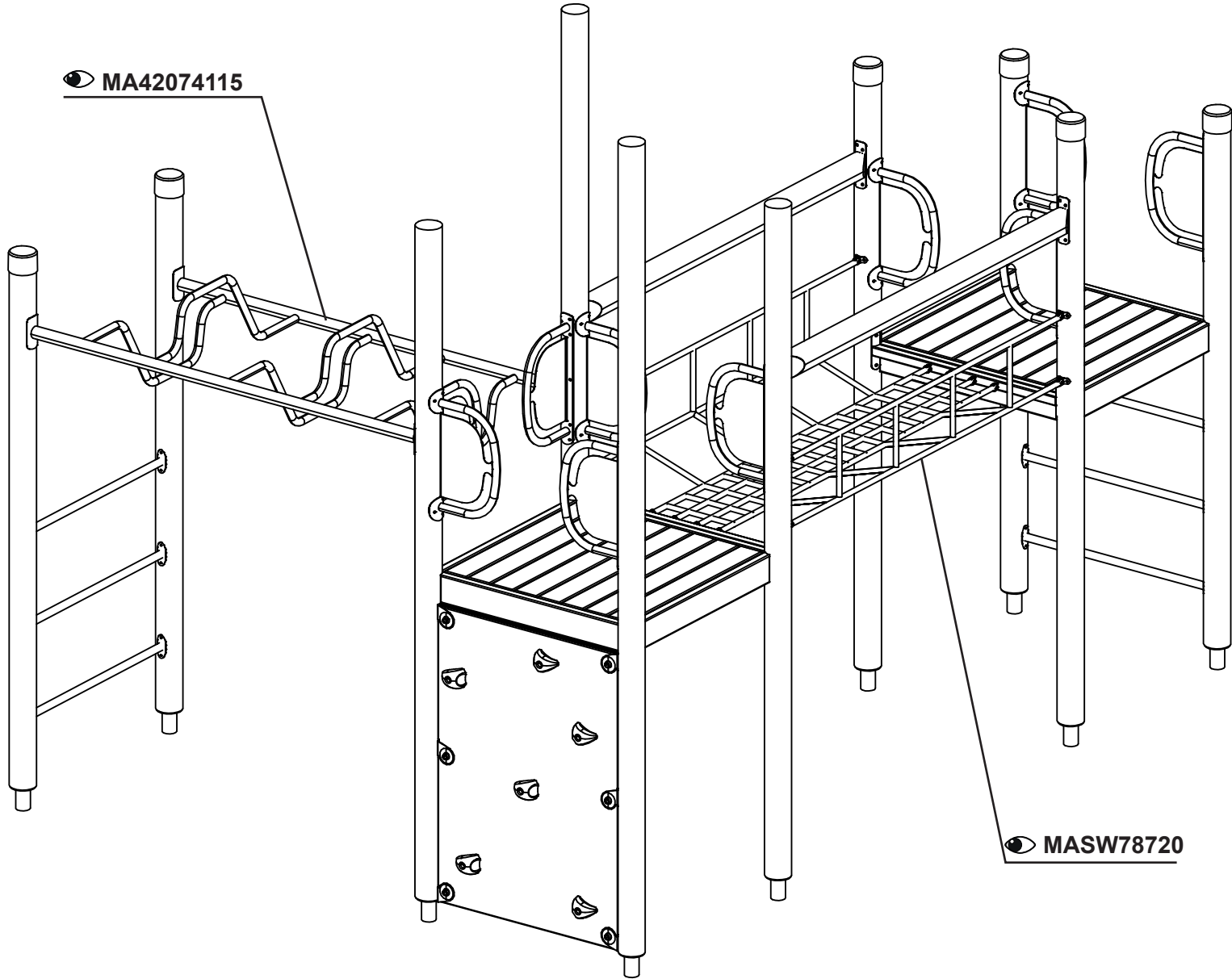
80 \_\_\_\_\_  
 80 \_\_\_\_\_  
 80 \_\_\_\_\_  
 80 \_\_\_\_\_



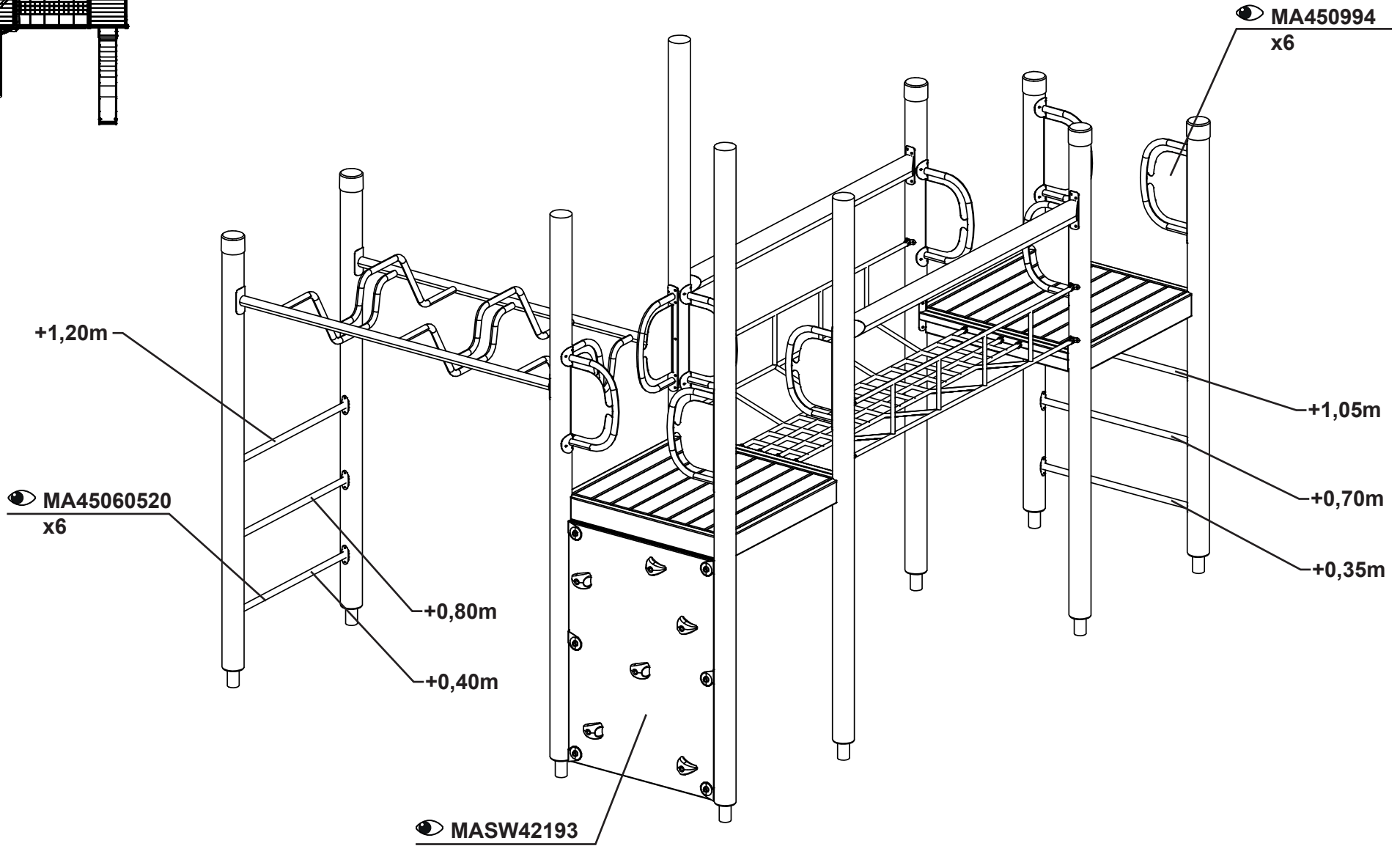
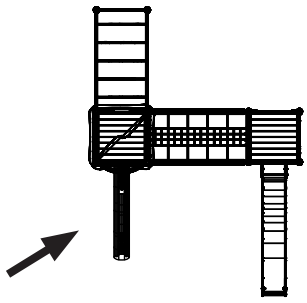


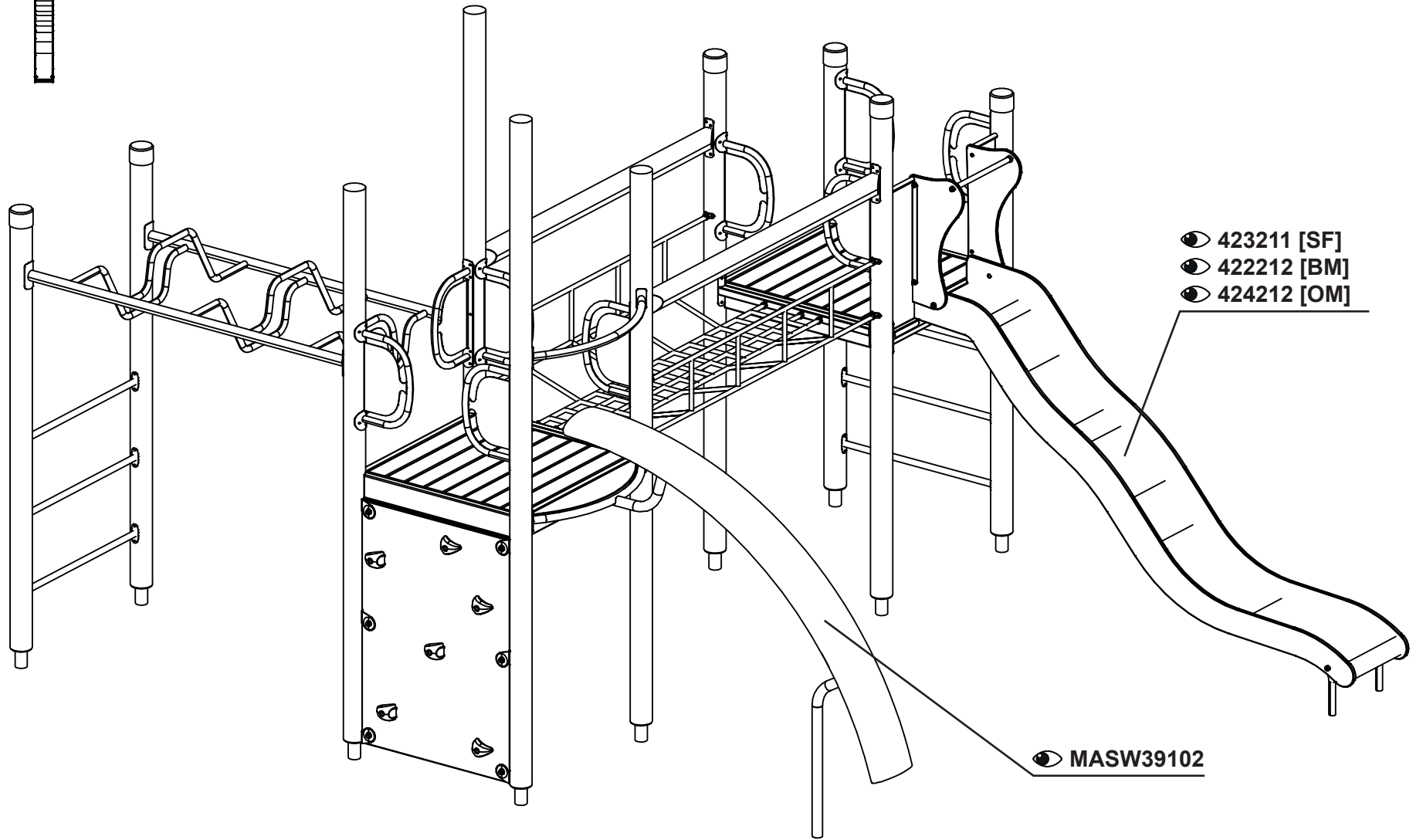
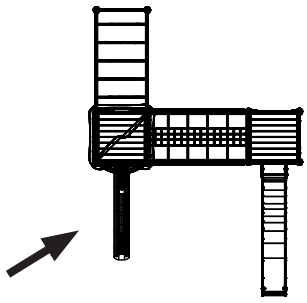


MA42074115



MASW78720





- 423211 [SF]
- 422212 [BM]
- 424212 [OM]

● MASW39102



