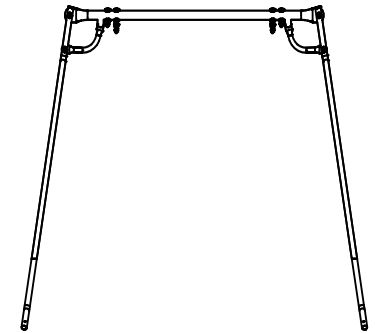


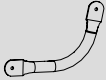







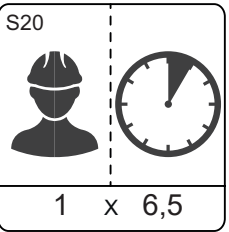
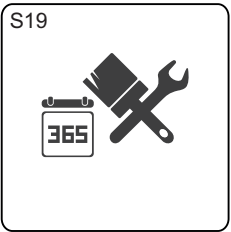
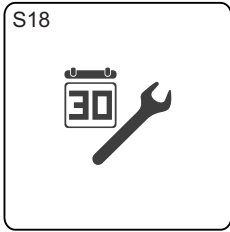
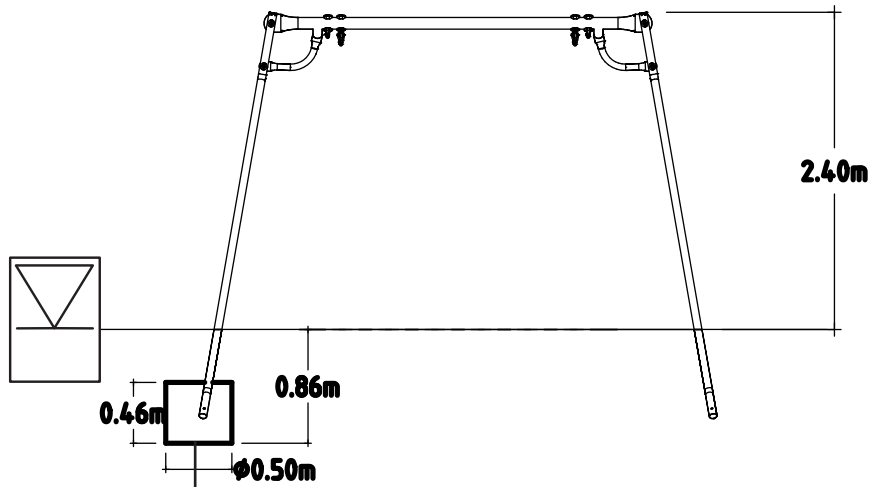





CC

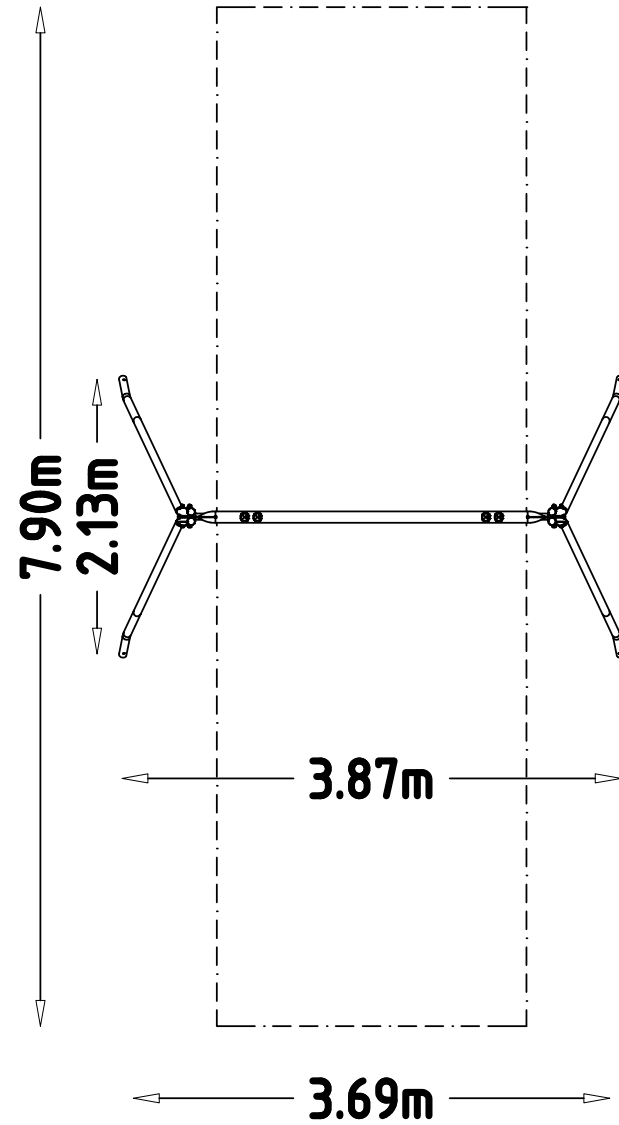
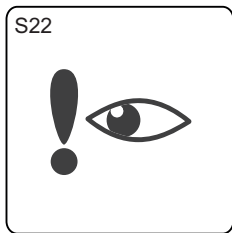


1	SW80894		1x L=3257	34.48kg
2	43-03716		6x L=3300	13.89kg
3	33-03264		2x 460x300 mm	2.20kg
4	43-03994		14x Ø52x5 mm	0.08kg
5	8008755		6x DIN986-M12-8	0.024kg
6	8042811		2x ISO7042-M12-8	0.018kg
7	8008834		14x Ø12,5x30x3 mm	0.01kg
8	SW15632		6x Ø60x27 mm	0.02kg
9	8008427		6x ISO4014-M12x160-8.8	0.1550kg
10	8008411		2x ISO4017-M12x30-8.8	0.0429kg





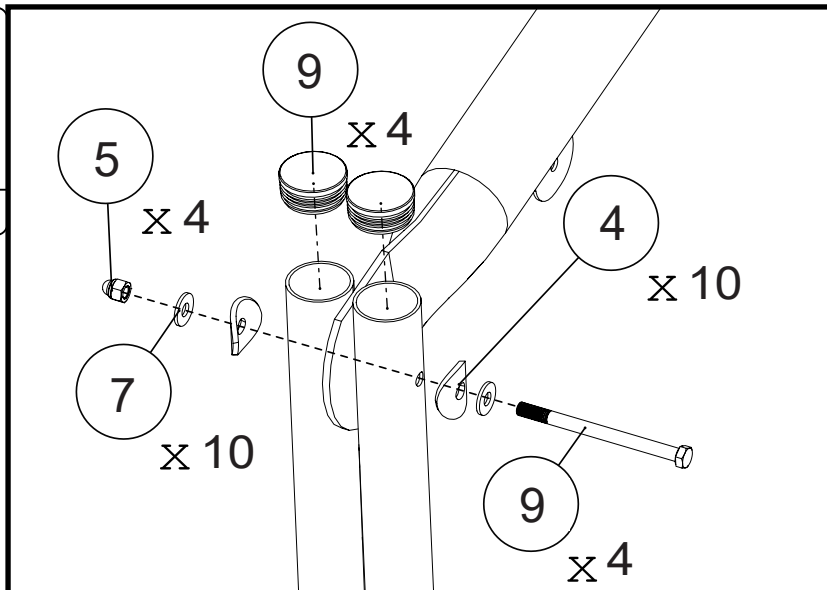
S25	
$\leq C20/25$ S1-S3	
	4x24h
	101



S11



Nm
81nM



S11



Nm
81nM

