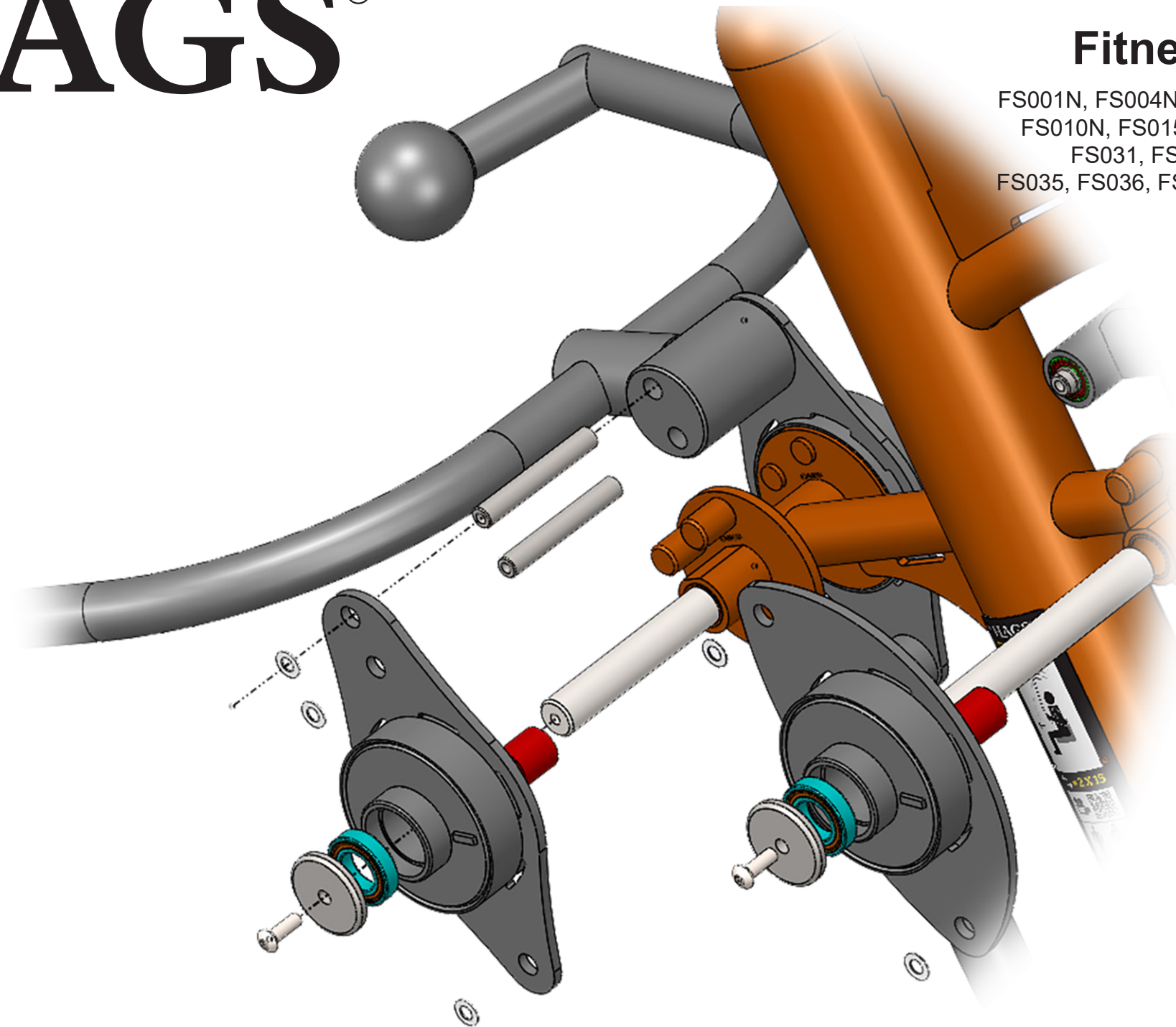


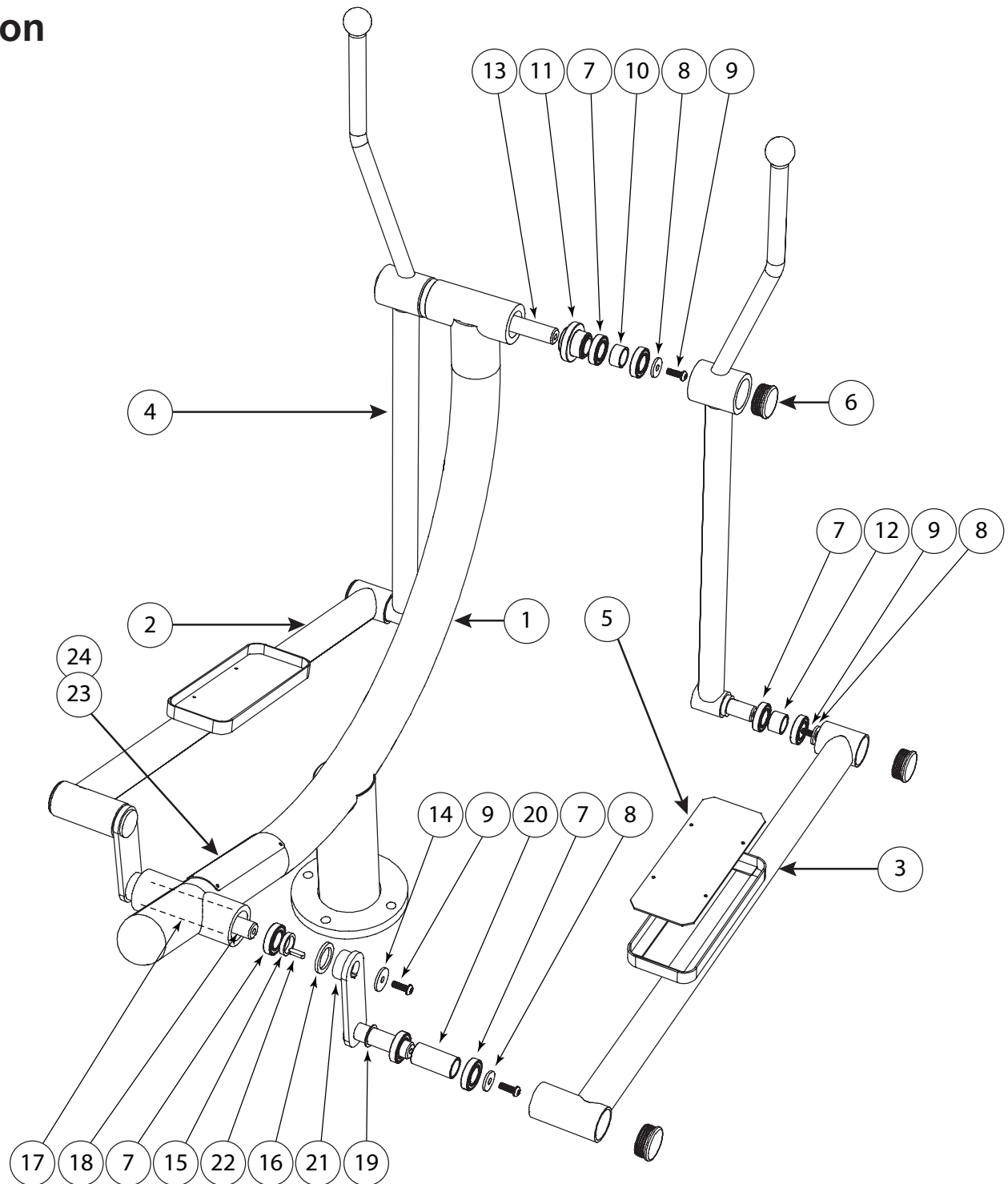
Fitness Range

FS001N, FS004N, FS007N, FS009N,
FS010N, FS015N, FS016N, FS030,
FS031, FS032, FS033, FS034,
FS035, FS036, FS037, FS038, FS040

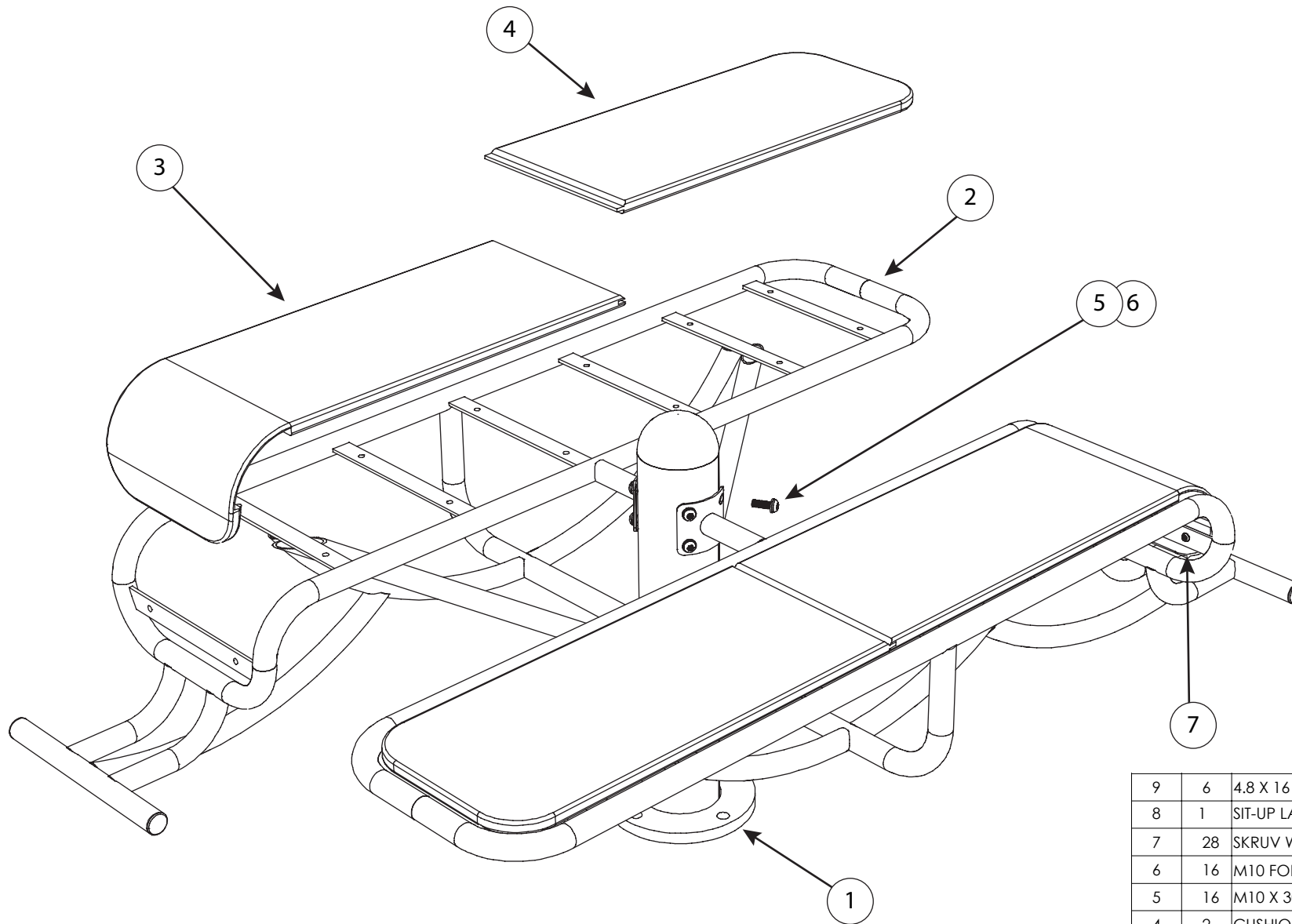


FS001 Ski Stepper Part Identification

24	14	4.8 x 16 ALU BLIND RIVET	10360516
23	1	SKI-STEPPER USE LABEL	FS70000001
22	2	8 X 7mm KEY - BS 080a47	GYM725
21	2	REAR CRANK	GYM110
20	2	LINK ARM BEARING SPACER	GYM706
19	2	REAR BEARING SPACER	GYM114
18	1	REAR CENTRE SHAFT	GYM108
17	1	REAR BEARING SPACER	GYM704
16	2	REAR BEARING SEAL	GYM708
15	2	REAR BEARING SPACER	GYM707
14	2	WASHER	GYM134
13	1	FRONT UPPER SHAFT	GYM124
12	2	FRONT LINK ARM BEARING SPACER	GYM705
11	2	FRONT UPPER BEARING SPACER	GYM135
10	2	BEARING SPACER	GYM216
9	8	M10 XS 30 RESISTORX	10121030
8	6	LOCKING WASHER	GYM217
7	14	6006-2RS BEARINGS	GYM450
6	6	PLASTIC END CAPS - IF6055-57S	GYM726
5	2	FOOT PLATE	GYM447
4	2	FRONT ARM WITH HANDLE	GYM118
3	1	LEFT LINK ARM	GYM130
2	1	RIGHT LINK ARM	GYM113
1	1	SKI STEPPER MAIN FRAME	GYM115
Ballon	Qty	Description	Art No

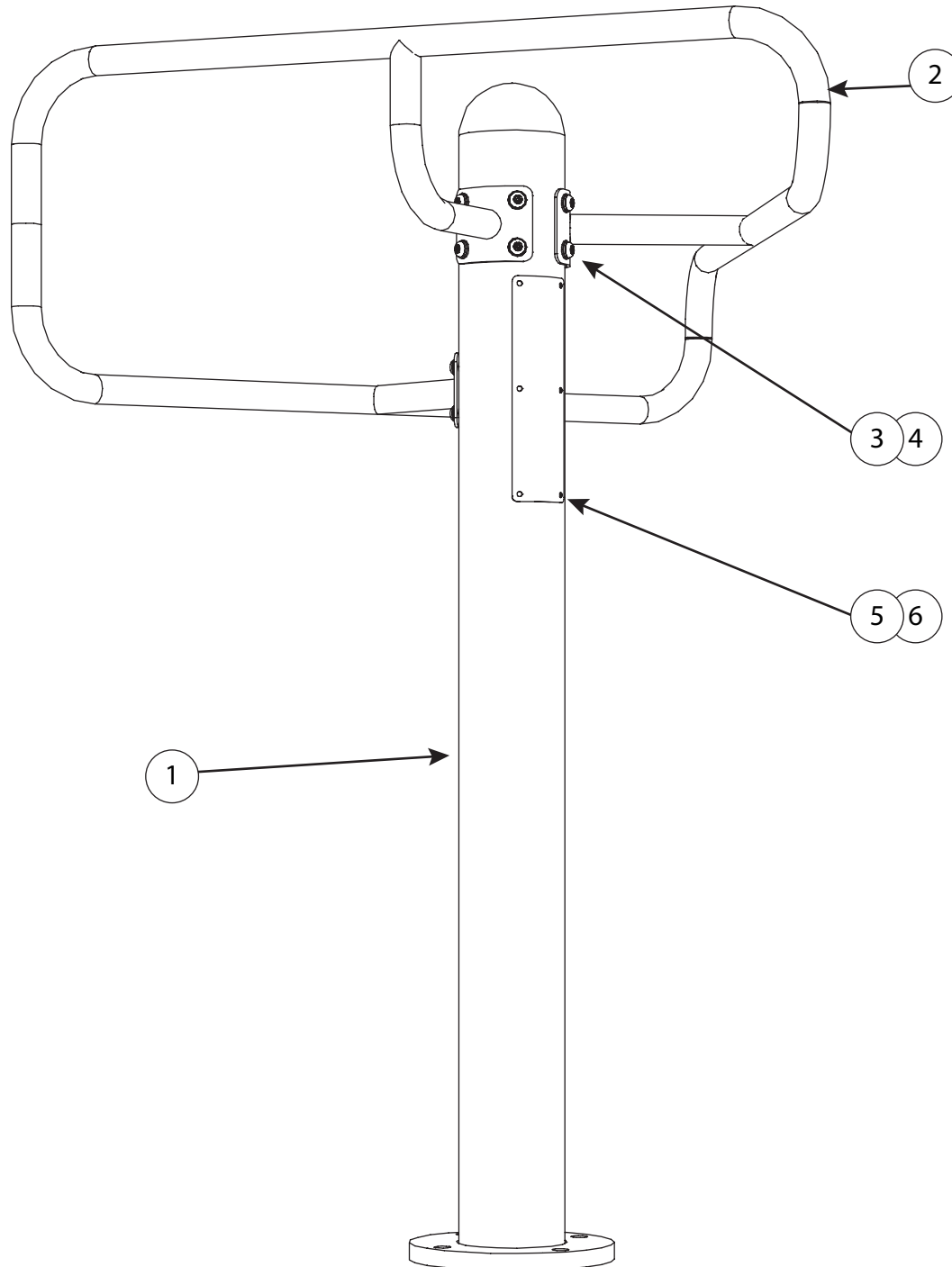


FS004 Sit-up Part Identification



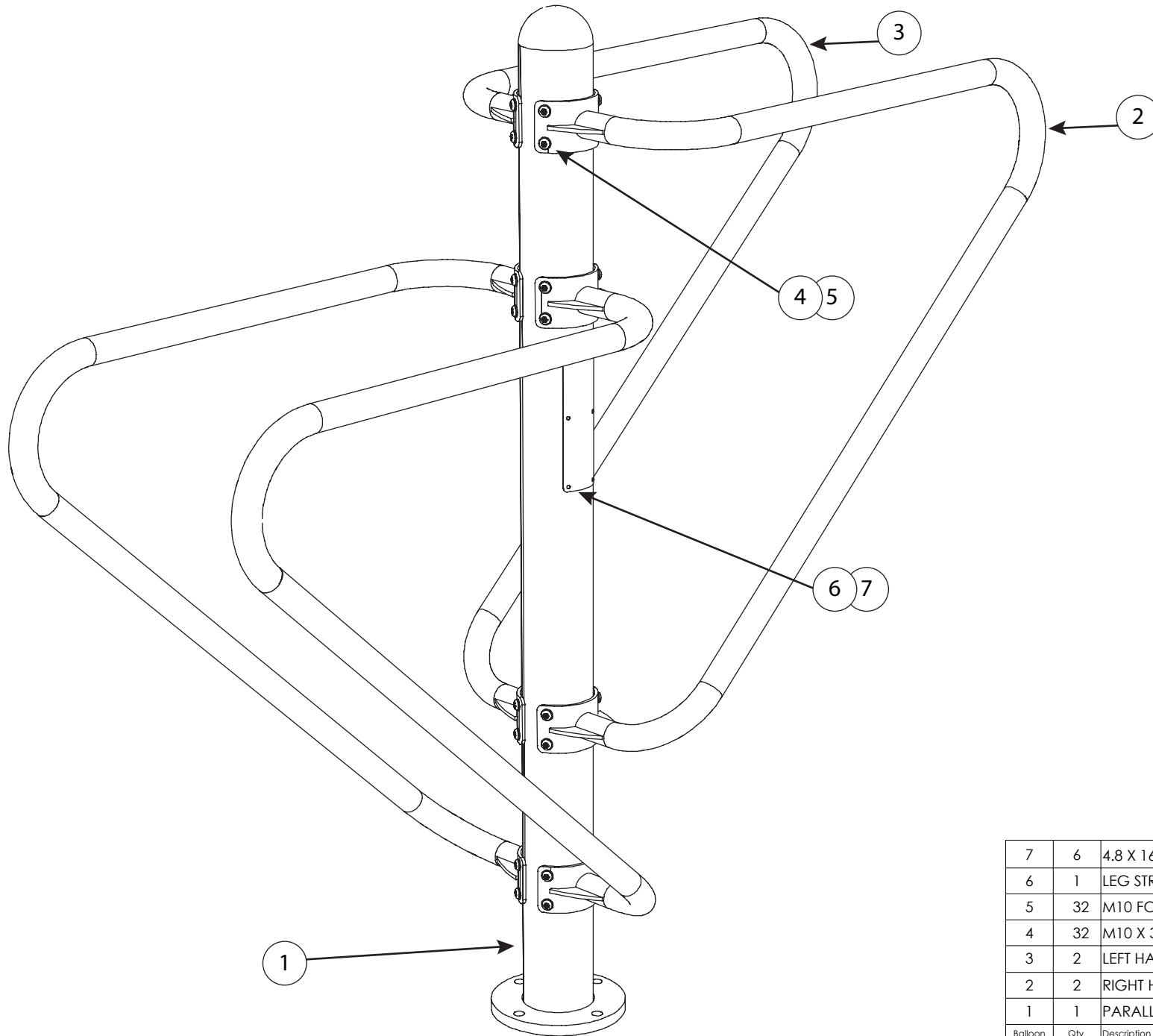
9	6	4.8 X 16 ALU BLIND RIVET	10360516
8	1	SIT-UP LABEL	FS70000004
7	28	SKRUV WN1451 SCREW	312244
6	16	M10 FORM B WASHER	10291000
5	16	M10 X 30 RESISTORX	10121030
4	2	CUSHION REAR PART	33-06605
3	2	CUSHION FRONT PART	33-06604
2	2	SIT-UP BUNK	GYM402
1	1	SIT-UP POST	GYM401
Ballon	Qty	Description	Art No

FS007 Leg Stretch Part Identification



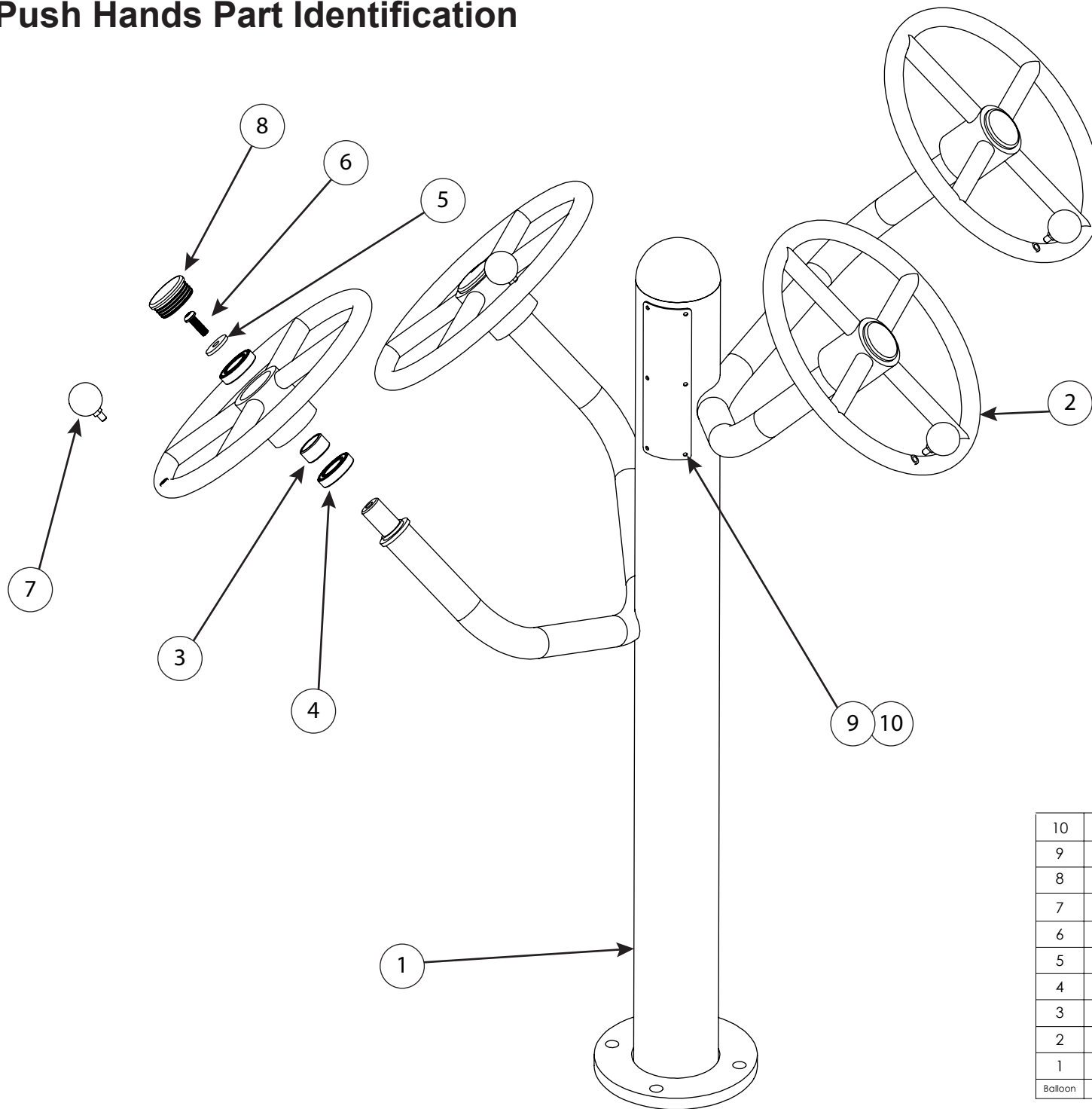
6	6	4.8 X 16 ALU BLIND RIVET	10360516
5	1	LEG STRETCH LABEL	FS70000007
4	12	M10 FORM B WASHER	10291000
3	12	M10 X 30 RESISTORXT	10121030
2	1	LEG STRETCH FRAME	GYM267
1	1	LEG STRETCH POST	GYM268
Ballon	Qty	Description	Art No

FS009 Parallel Rails Part Identification



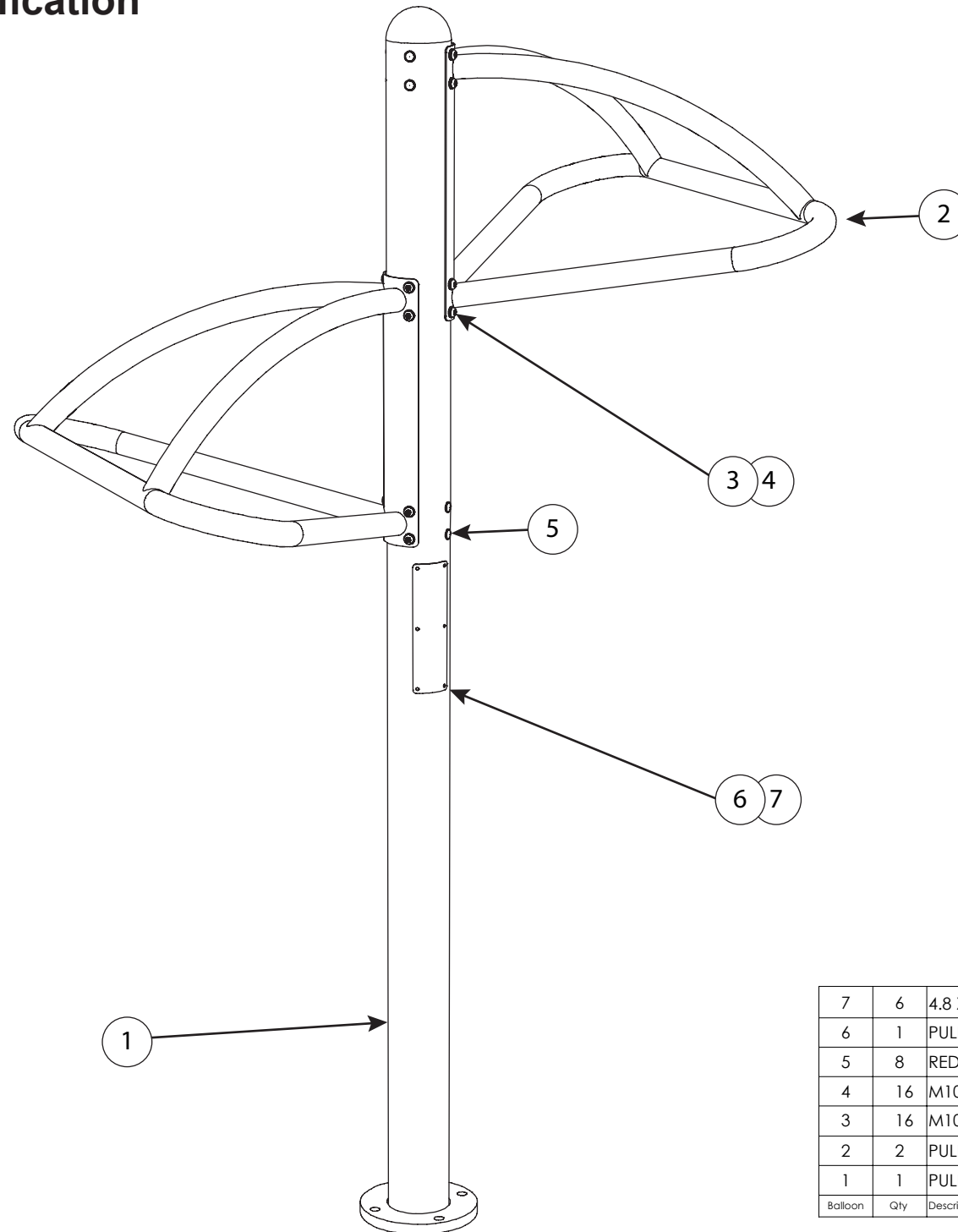
7	6	4.8 X 16 ALU BLIND RIVET	10360516
6	1	LEG STRETCH LABEL	FS70000009
5	32	M10 FORM B WASHER	10291000
4	32	M10 X 30 RESISTORX	10121030
3	2	LEFT HAND RAIL	GYM285
2	2	RIGHT HAND RAIL	GYM284
1	1	PARALLEL RAILS POST	GYM286
Ballon	Qty	Description	Art No

FS010 Push Hands Part Identification



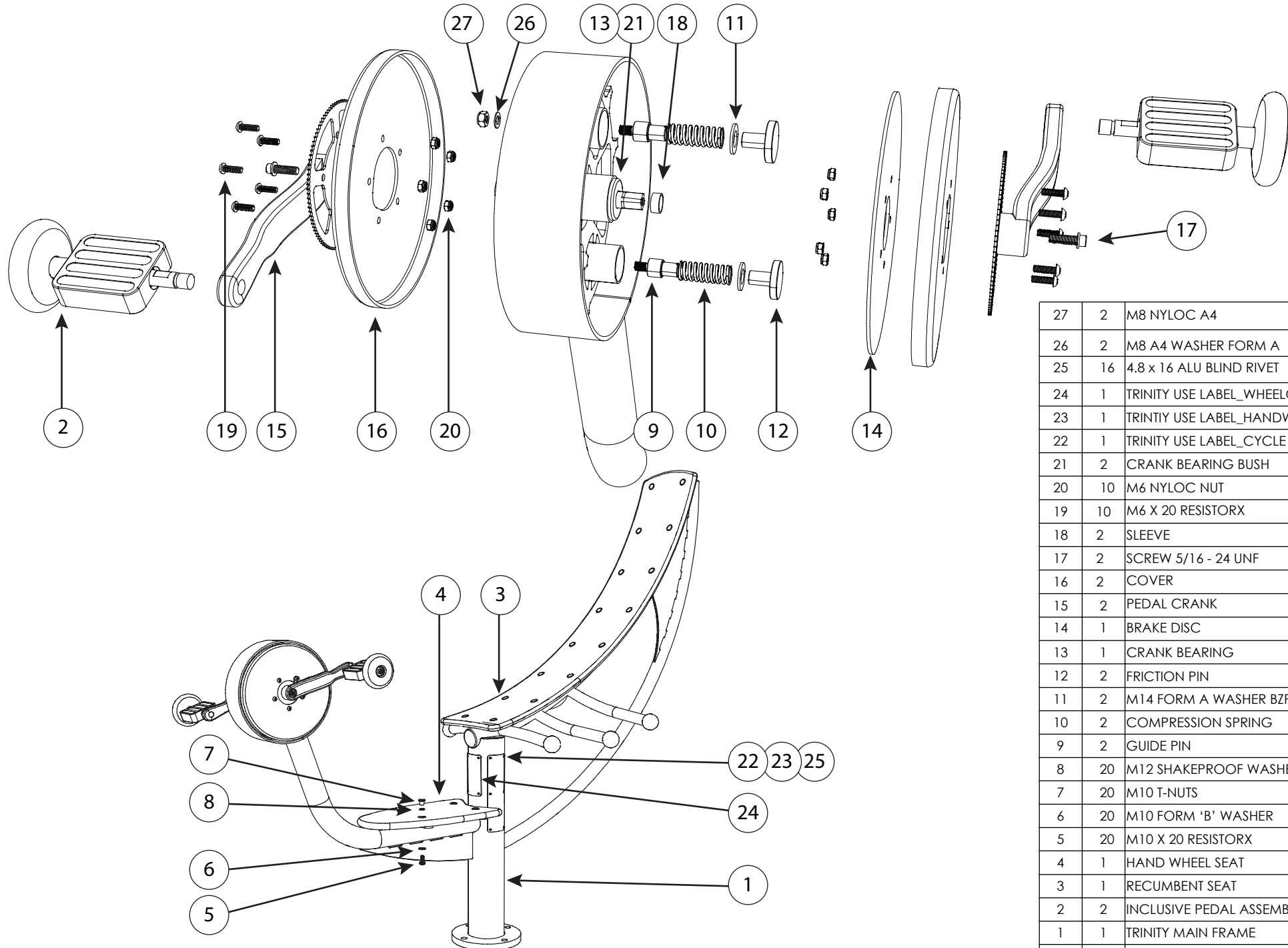
10	6	4.8 X 16 ALU BLIND RIVET	10360516
9	1	PUSH HANDS LABEL	FS70000010
8	4	END CAP - IF6055-57S	GYM726
7	4	WN03 X M8 KNOB	GYM727
6	4	M10 X 30 RESISTORX	10211030
5	4	WASHER	GYM217
4	8	6006 2RS BEARING	GYM450
3	4	BEARING SPACER	GYM216
2	4	WHEEL	GYM213
1	1	PUSH HANDS POST	GYM214
Ballon	Qty	Description	Art No

FS015 Pull-up Part Identification



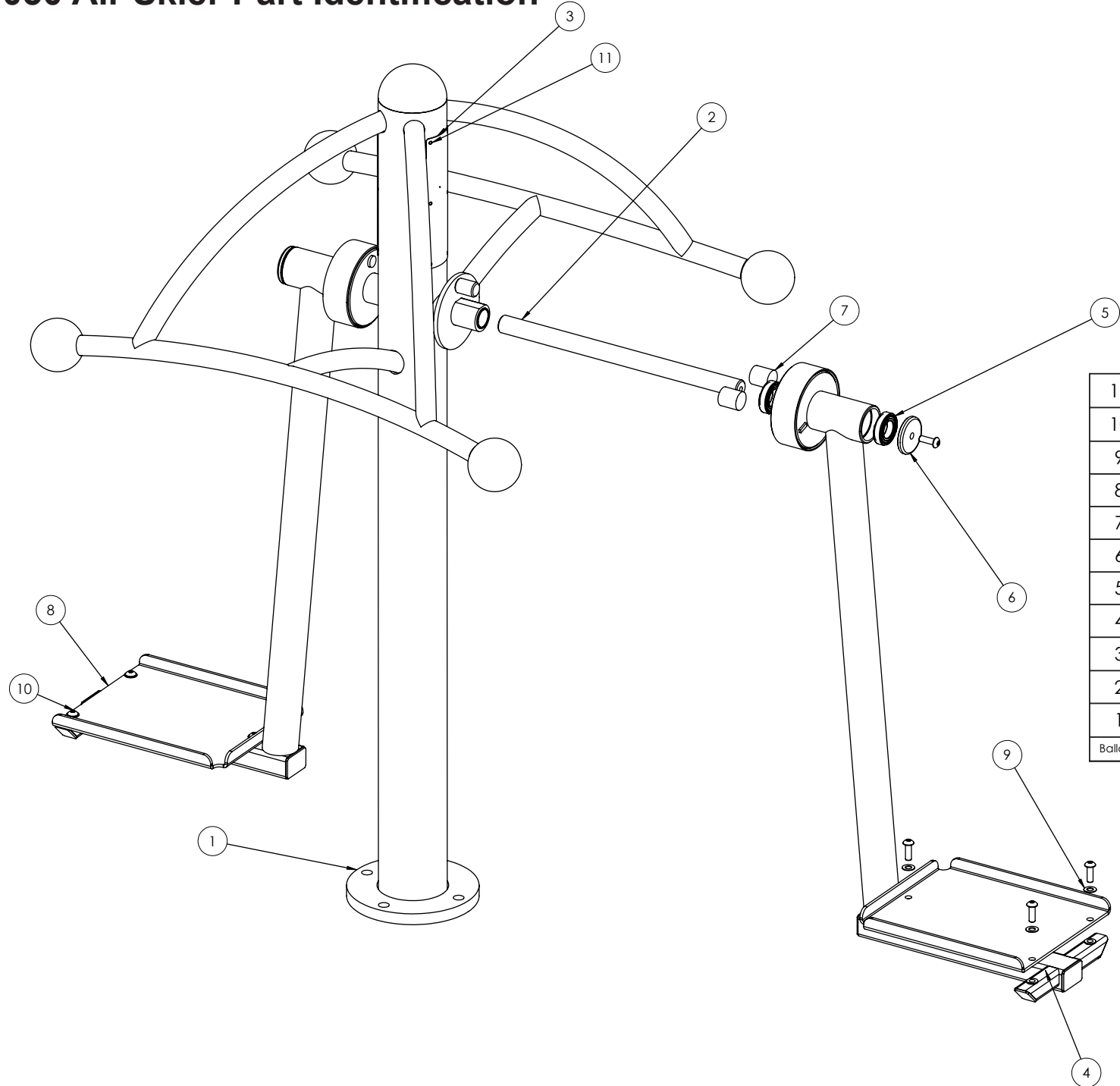
7	6	4.8 X 16 ALU BLIND RIVET	10360516
6	1	PULL-UP LABEL	FS70000015
5	8	REDUNDANT INSERT PLUG	19024501
4	16	M10 FORM B WASHER	10291000
3	16	M10 X 30 RESISTORX	10121030
2	2	PULL-UP FRAME	GYM734
1	1	PULL-UP POST	GYM733
Ballon	Qty	Description	Art No

FS016 Trintiy Cycle Part Identification



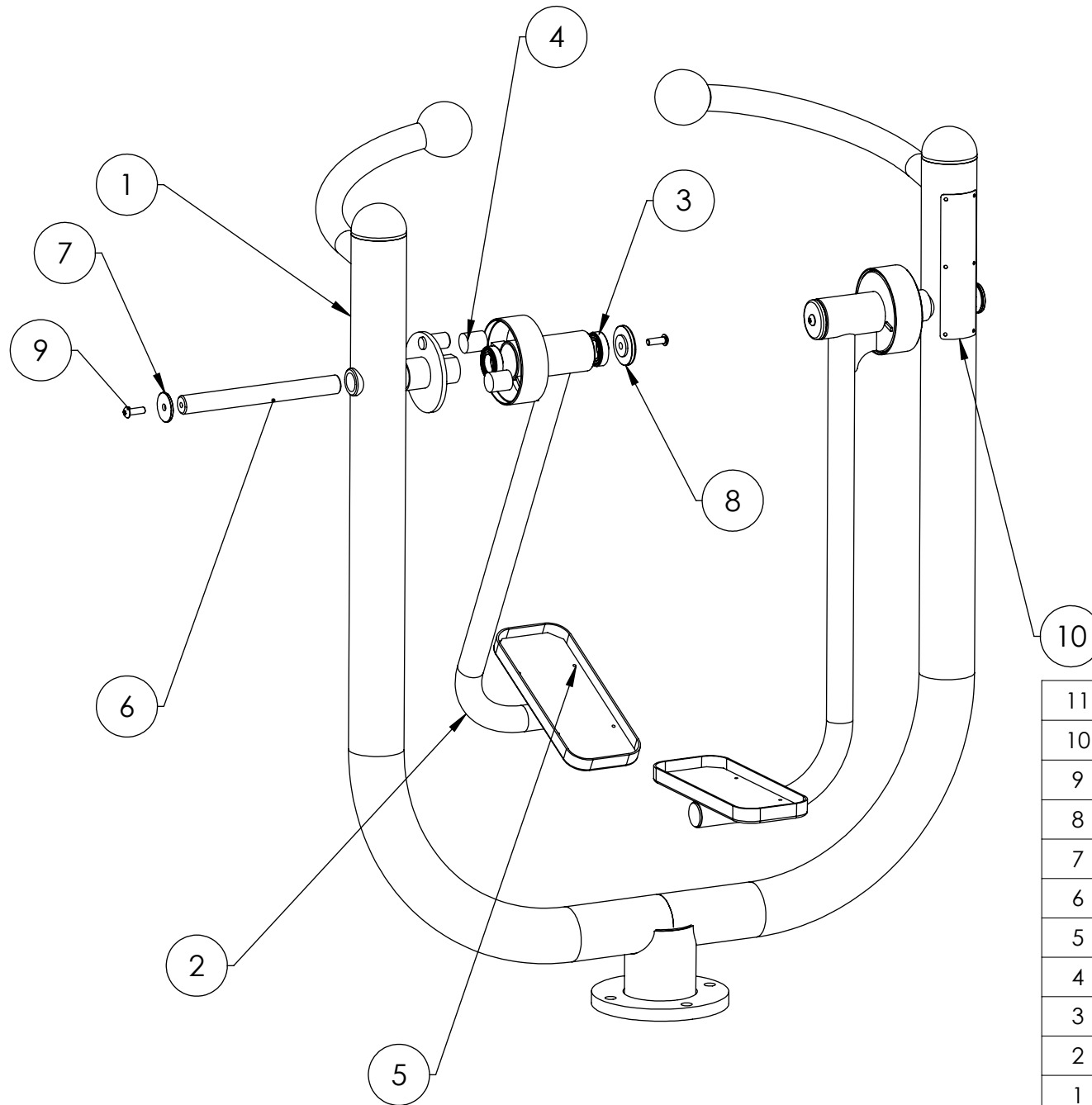
27	2	M8 NYLOC A4	10260800
26	2	M8 A4 WASHER FORM A	10290801
25	16	4.8 x 16 ALU BLIND RIVET	10360516
24	1	TRINITY USE LABEL_WHEELCHAIR	FS70000016b
23	1	TRINITY USE LABEL_HANDWHEEL	FS70000016c
22	1	TRINITY USE LABEL_CYCLE	FS70000016a
21	2	CRANK BEARING BUSH	GYM764
20	10	M6 NYLOC NUT	10260600
19	10	M6 X 20 RESISTORX	10120620
18	2	SLEEVE	8032683
17	2	SCREW 5/16 - 24 UNF	8005508
16	2	COVER	8005806
15	2	PEDAL CRANK	8005505
14	1	BRAKE DISC	8016136
13	1	CRANK BEARING	8005506
12	2	FRICION PIN	GYM752
11	2	M14 FORM A WASHER BZP	10381400
10	2	COMPRESSION SPRING	GYM754
9	2	GUIDE PIN	GYM753
8	20	M12 SHAKEPROOF WASHER	10391200
7	20	M10 T-NUTS	10931000
6	20	M10 FORM 'B' WASHER	10291000
5	20	M10 X 20 RESISTORX	10121020
4	1	HAND WHEEL SEAT	GYM763
3	1	RECUMBENT SEAT	GYM762
2	2	INCLUSIVE PEDAL ASSEMBLY	GYM757
1	1	TRINITY MAIN FRAME	GYM750
Balloon	Qty	Description	Art No

FS030 Air Skier Part Identification



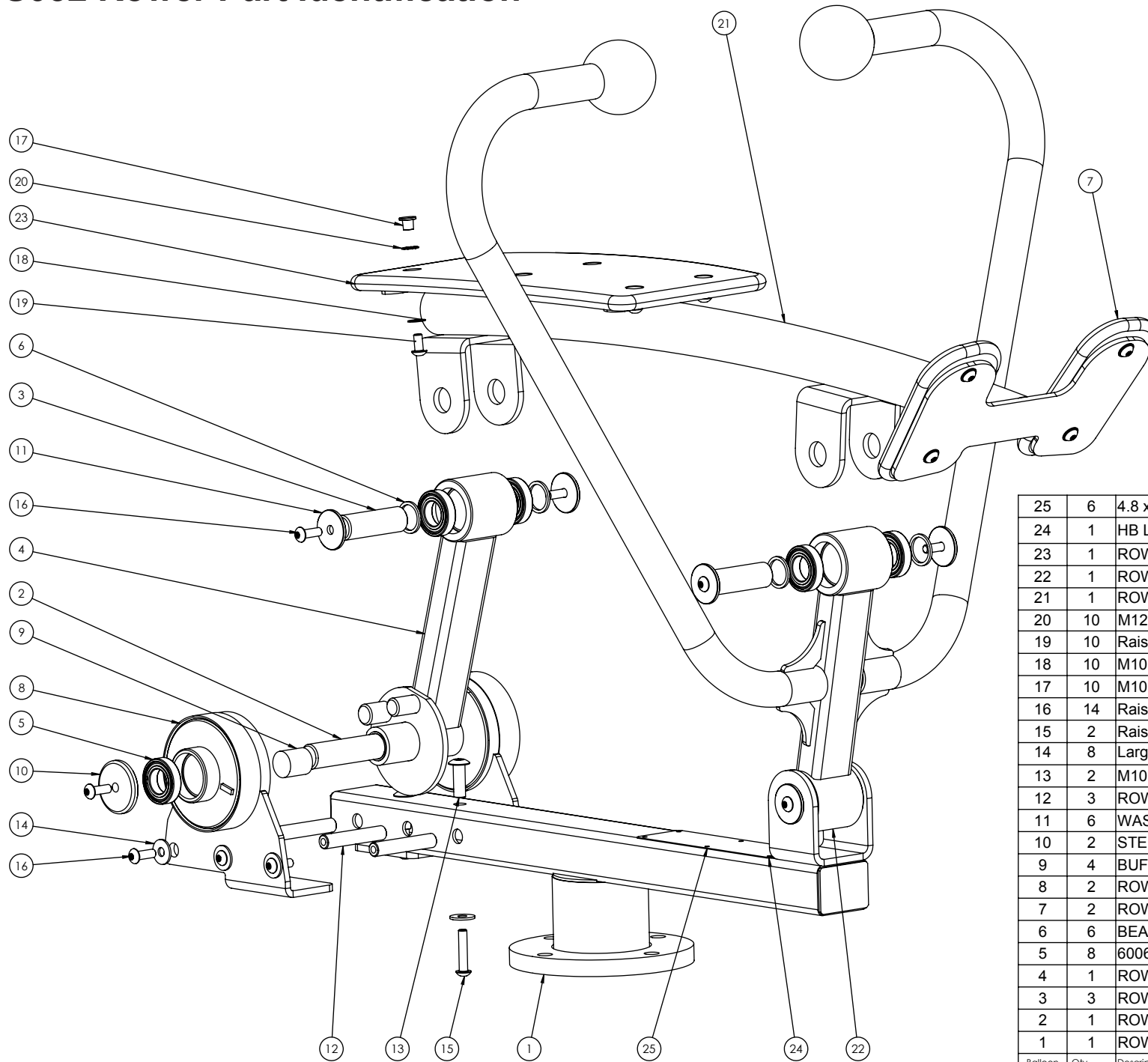
11	12	4.8 X 16 ALU BLIND RIVET	10360516
10	8	Raised-head screw (M10 x 30)	10121030
9	6	M10 Form 'B' Washer	10291000
8	2	MIN SKI FOOTPLATE	GYM448
7	4	BUFFER STOP	GYM1006
6	2	STEPPED WASHER	GYM1007
5	4	6006-2RS BEARING	GYM450
4	2	AIR SKIER PENDULUM LEG	GYM1104
3	2	MS LABEL	FS70000002
2	1	AIR SKIER SHAFT	GYM1105
1	1	AIR SKIER POST	GYM1101
Ballon	Qty	Description	Art No

FS031 Air Walker Part Identification



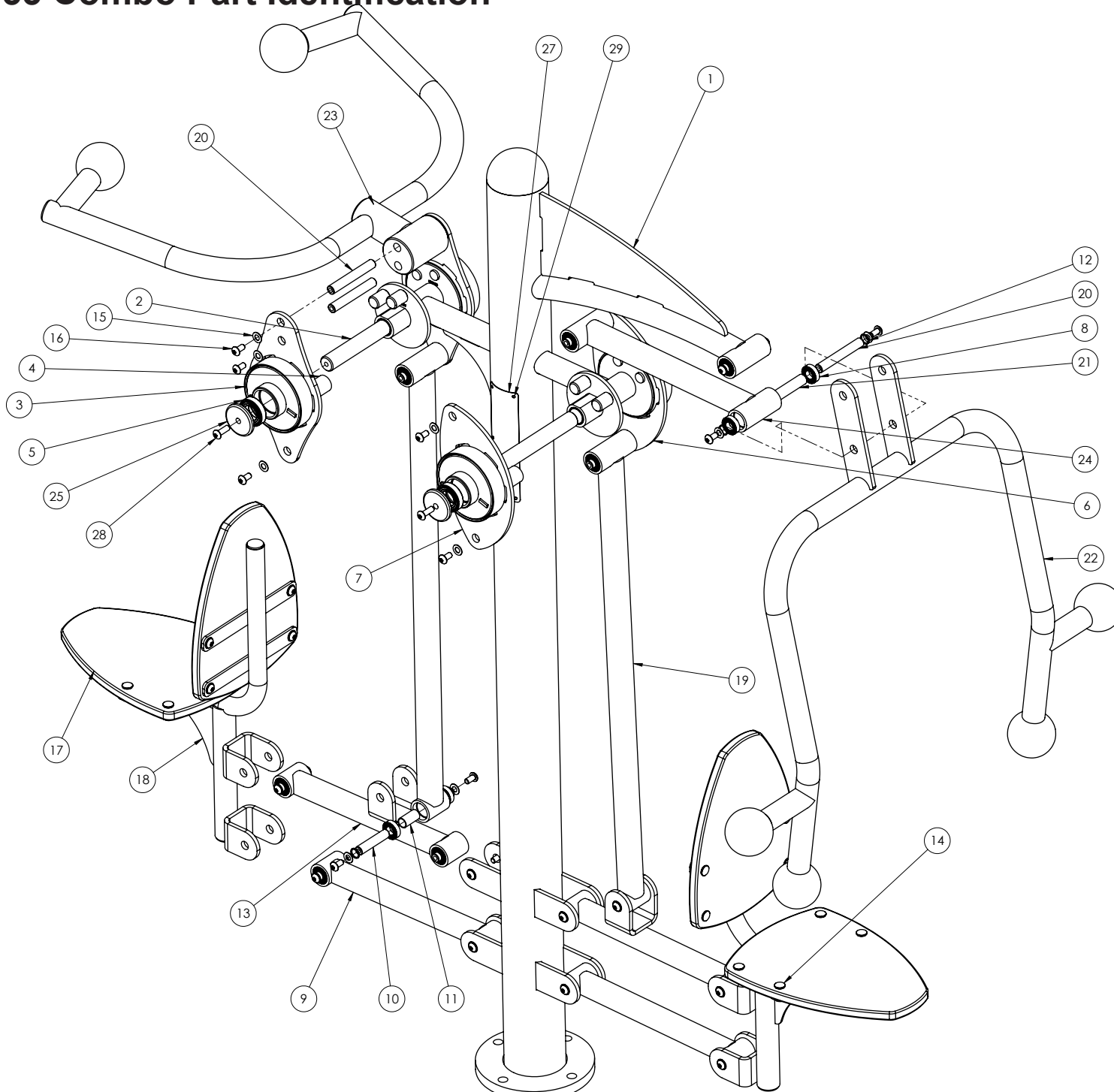
11	14	4.8 x 16 ALU BLIND RIVET	10360516
10	1	MS LABEL	FS70000005
9	4	M10 x 30 RESISTORX	10121030
8	2	STEPPED WASHER	GYM1007
7	2	WASHER	GYM134
6	2	AIR WALKER SHAFT	GYM1305
5	2	FOOTPLATE	GYM447
4	4	BUFFER STOP	GYM1006
3	4	6006-2RS BEARING	GYM450
2	2	AIR WALKER PENDULUM	GYM1302
1	1	AIR WALKER FRAME	GYM1301
Balloon	Qty	Description	Art No

FS032 Rower Part Identification



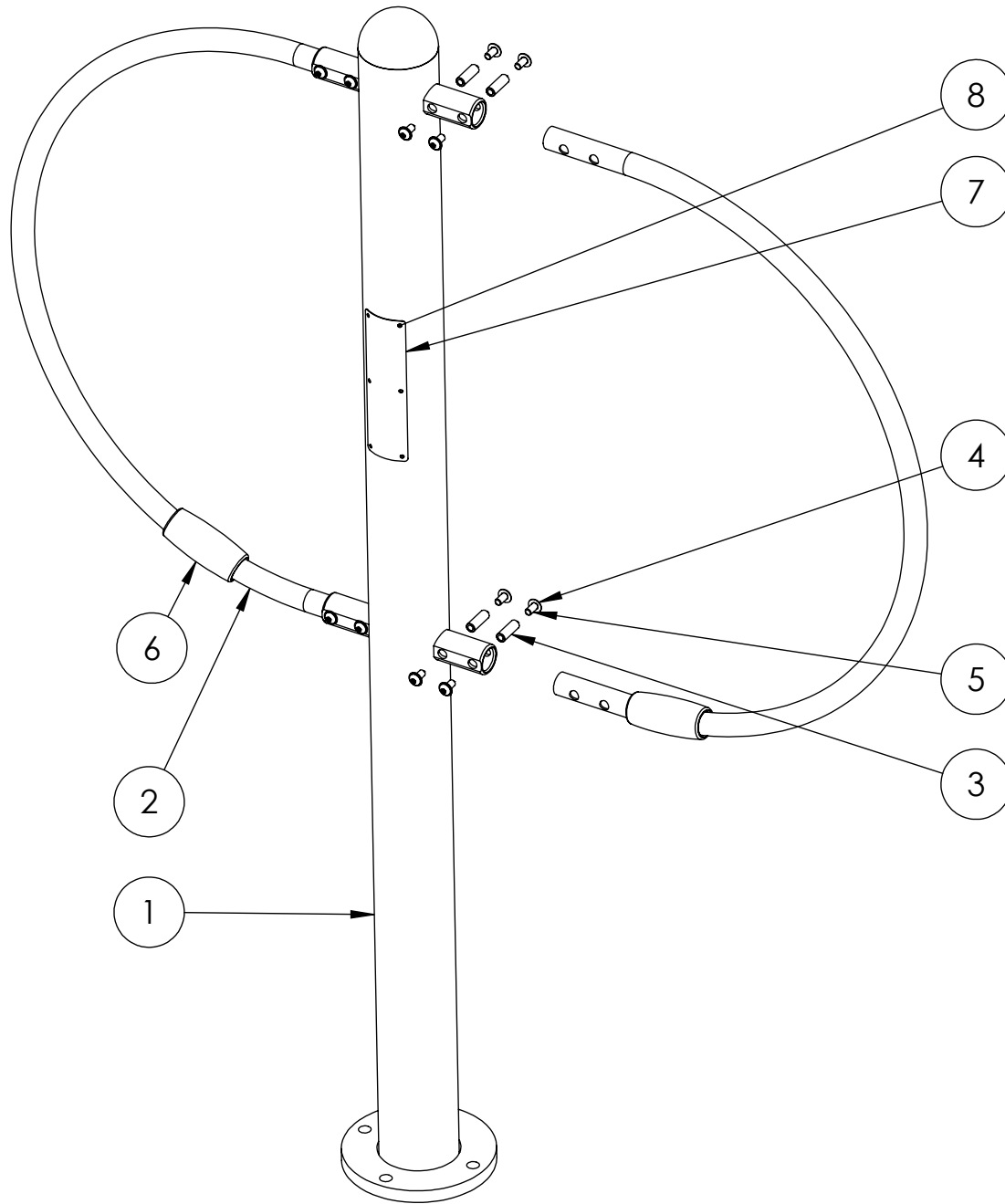
25	6	4.8 x 16 ALU BLIND RIVET	10360516
24	1	HB LABEL	FS0000011
23	1	ROWER SEAT	GYM1516
22	1	ROWER HANDLE LINKAGE	GYM1509
21	1	ROWER TOP FRAME	GYM1511
20	10	M12 INT.SH/PROOF WASHER ISO 3506 ST.ST.GRA2	10301200
19	10	Raised-head screw (M10x20)	10121020
18	10	M10 Form 'B' Washer	10291000
17	10	M10 T-Nut	10931000
16	14	Raised-head screw (M10x30)	10121030
15	2	Raised-head screw (M10x50)	10121050
14	8	Large Washer (A2-D10,5)	10309999
13	2	M10 x 40 BARREL NUT	10301005
12	3	ROWER CONNECTING SPINDLE	GYM1517
11	6	WASHER	GYM134
10	2	STEPPED WASHER	GYM1007
9	4	BUFFER STOP	GYM1006
8	2	ROWER LEVER HUB	GYM1504
7	2	ROWER FOOT TREAD	GYM1515
6	6	BEARING DISTANCE	GYM060
5	8	6006-2RS BEARING	GYM450
4	1	ROWER REAR LINKAGE	GYM1513
3	3	ROWER SHAFT SHORT	GYM1505
2	1	ROWER SHAFT LONG	GYM1506
1	1	ROWER LOWER FRAME	GYM1501
Balloon	Qty	Description	Doc. ID

FS033 Combo Part Identification



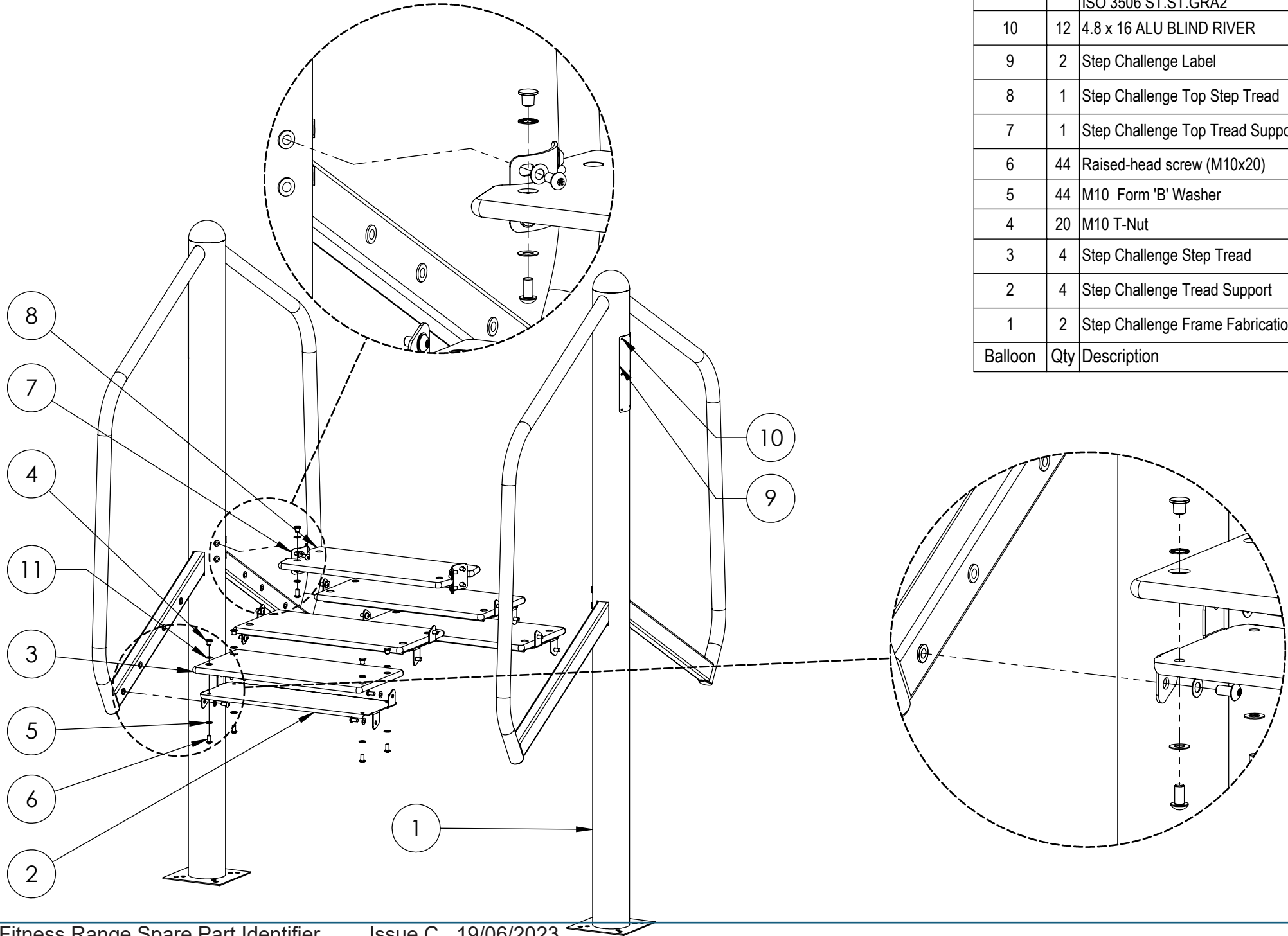
29	12	4.8 X 16 ALU BLIND RIVET	10360516
28	4	M10 x 30 RESISTORX	10121030
27	1	PP LABEL	FS70000008
26	1	PDC LABEL	FS70000003
25	4	STEPPED WASHER	GYM1007
24	1	CHEST PRESS UPPER LINKAGE	GYM1206
23	1	LAT PULL HANDLE	GYM1405
22	1	CHEST PRESS HANDLE	GYM1210
21	5	LONG BEARING DISTANCE	GYM442
20	7	LONG SPINDLE	GYM441
19	2	PDC/PP LONG LINKAGE	GYM150
18	2	CHAIR FRAME	GYM317
17	4	SEAT	728089
16	50	M10 x 20 RESISTORX	10121020
15	50	M10 Form 'B' Washer	10291000
14	16	M10 T-Nut	10931000
13	2	COMBO LINKAGE WITH BRACKET	GYM1211
12	30	BEARING DISTANCE	GYM326
11	10	SMALL BEARING DISTANCE	GYM439
10	10	SHORT SPINDLE	GYM327
9	2	LEVER ARM	GYM156
8	30	6003-2RS Bearing	GYM449
7	1	COMBO LEVER HUB RIGHT HAND	GYM1213
6	1	COMBO LEVER HUB LEFT HAND	GYM1204
5	4	6006-2RS BEARING	GYM450
4	8	BUFFER STOP	GYM1006
3	2	LAT PULL LEVER HUB	GYM1404
2	2	COMBO SHAFT	GYM1205
1	1	COMBO MAIN POST	GYM1601
Ballon	Qty	Description	Art No

FS034 Arm Swirl Part Identification



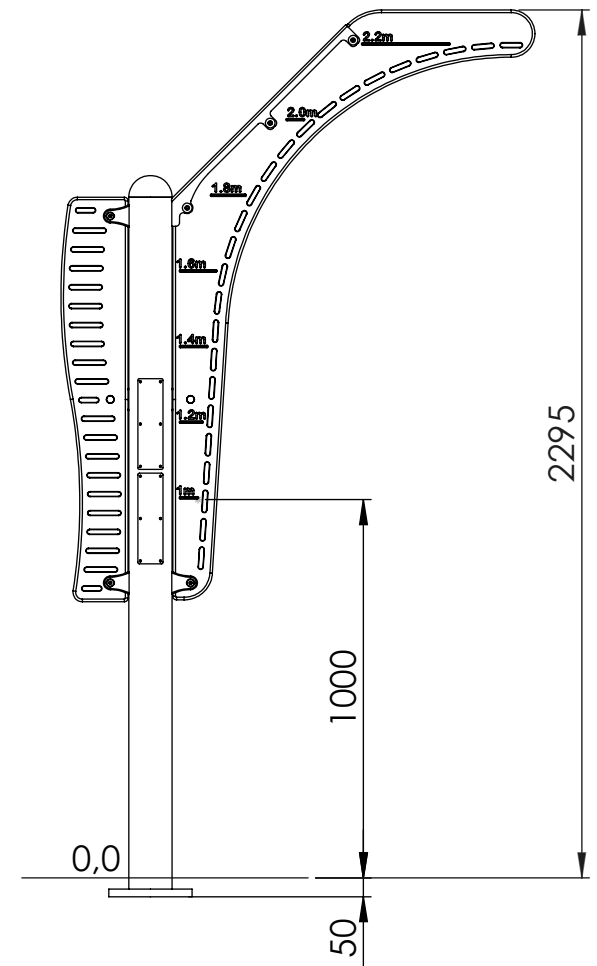
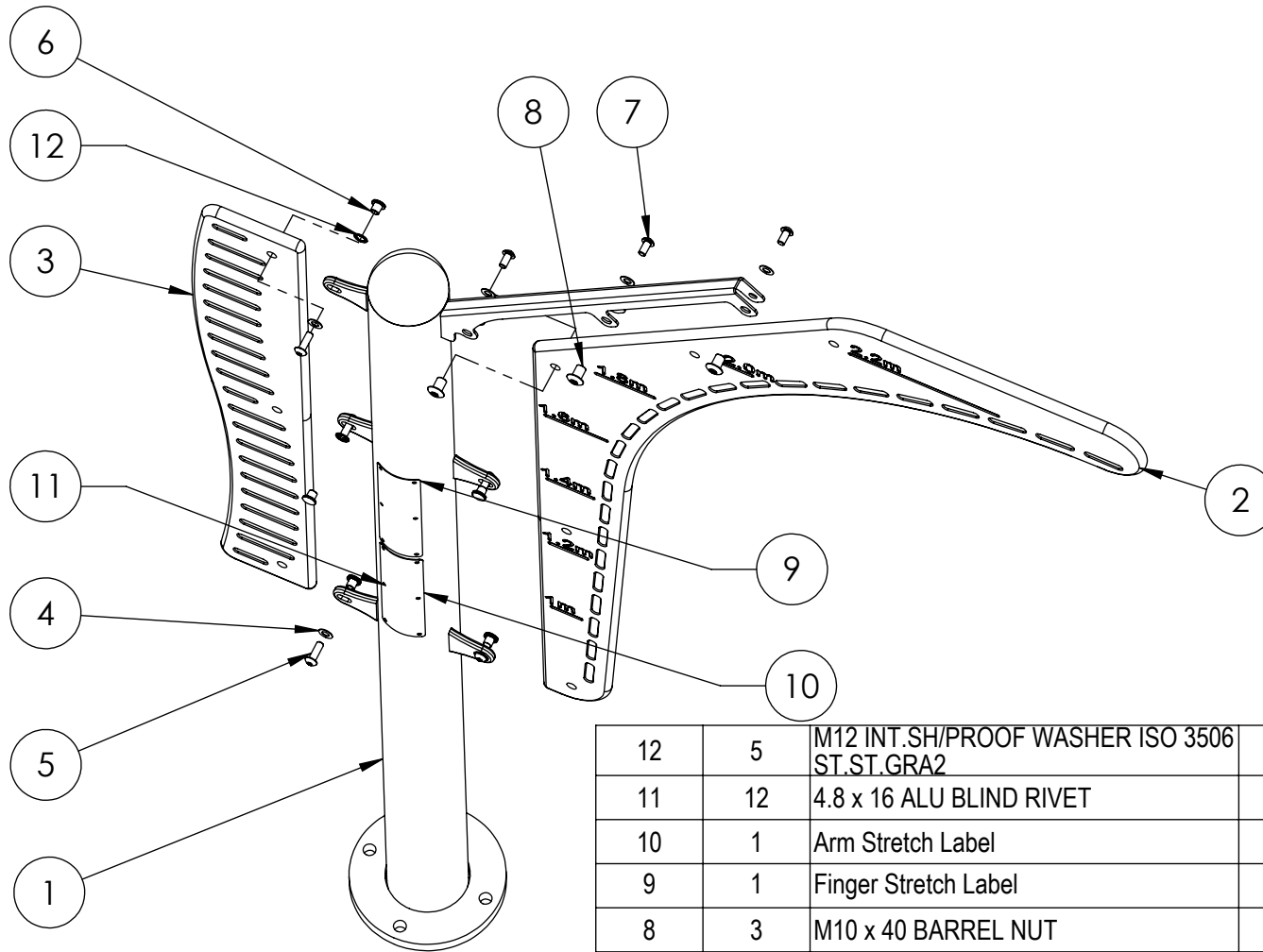
8	6	4.8 X 16 ALU BLIND RIVET	10360516
7	1	Arm Swirl Label	FS70000034
6	2	Arm Swirl Puck	GYM1705
5	16	Raised-head screw (M10x20)	10121020
4	16	M10 Form 'B' Washer	10291000
3	8	Arm Swirl Connection Sleeve	GYM1706
2	2	Arm Swirl Hoop	GYM1704
1	1	Arm Swirl Post Fabrication	GYM1701
Balloon	Qty	Description	Doc. ID

FS035 Step Challenge Part Identification



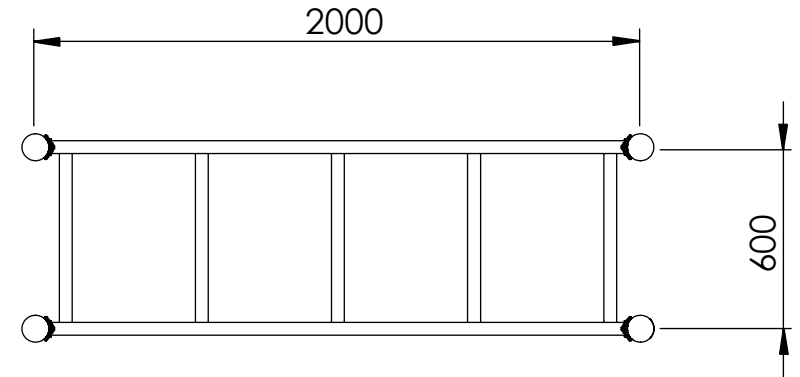
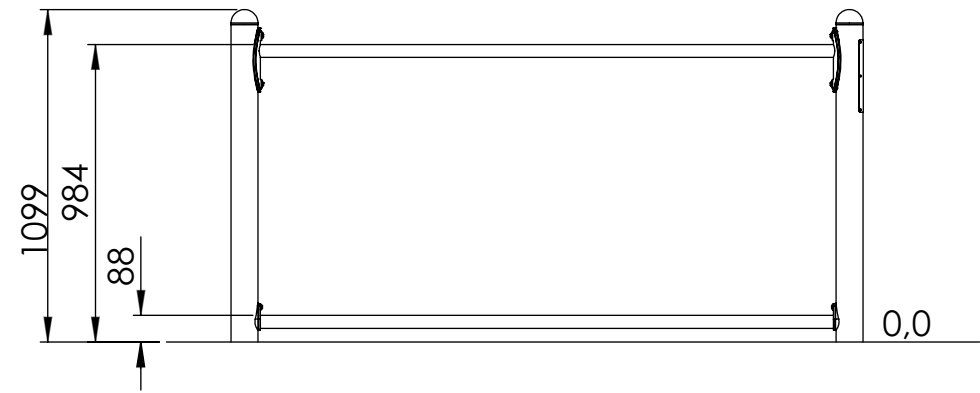
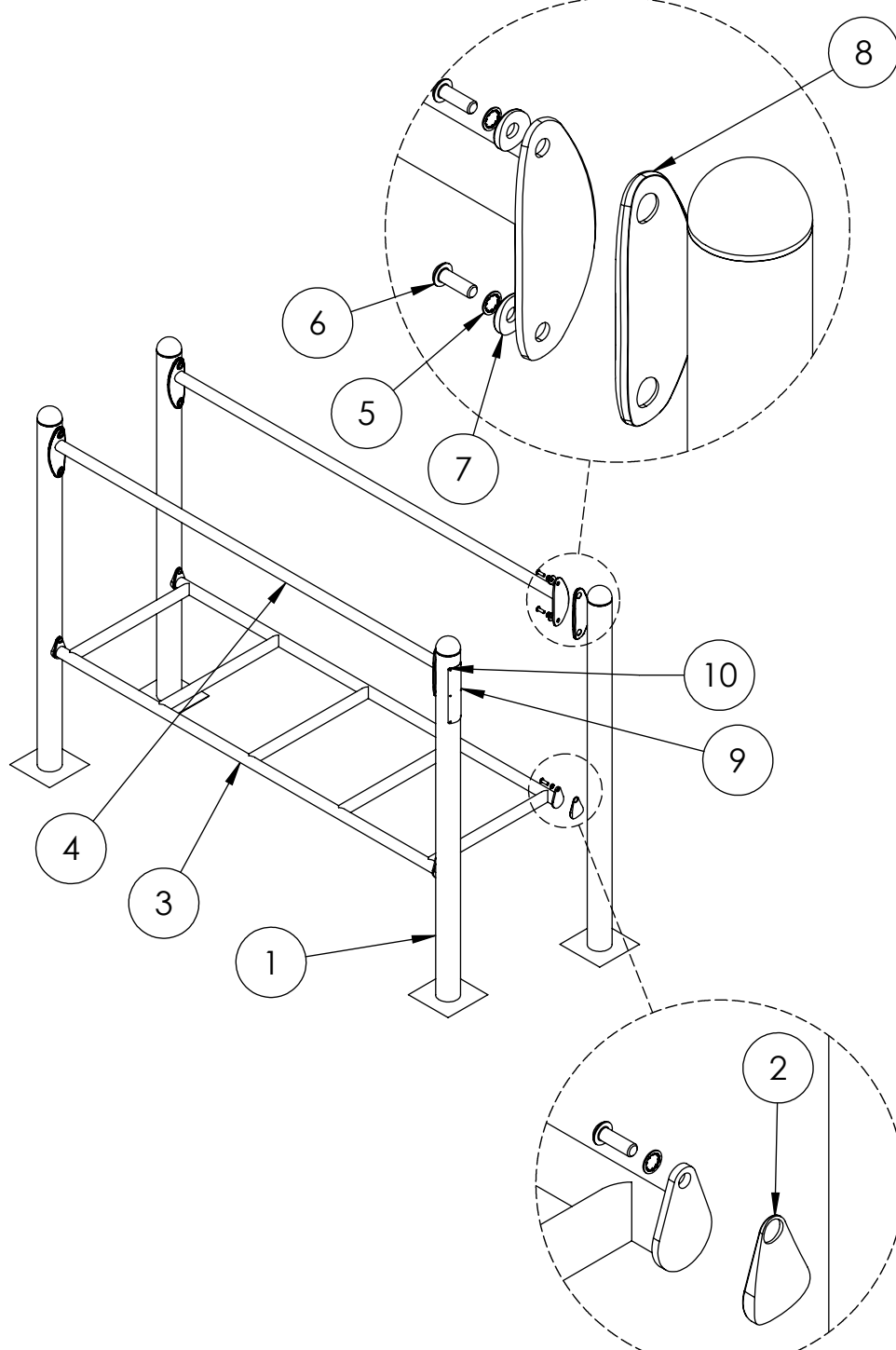
Balloon	Qty	Description	Doc. ID
11	20	M12 INT.SH/PROOF WASHER ISO 3506 ST.ST.GRA2	10301200
10	12	4.8 x 16 ALU BLIND RIVER	10360516
9	2	Step Challenge Label	FS70000035
8	1	Step Challenge Top Step Tread	GYM1811
7	1	Step Challenge Top Tread Support	GYM1809
6	44	Raised-head screw (M10x20)	10121020
5	44	M10 Form 'B' Washer	10291000
4	20	M10 T-Nut	10931000
3	4	Step Challenge Step Tread	GYM1810
2	4	Step Challenge Tread Support	GYM1808
1	2	Step Challenge Frame Fabrication	GYM1801
Balloon	Qty	Description	Doc. ID

FS036 Finger & Arm Stretch Part Identification



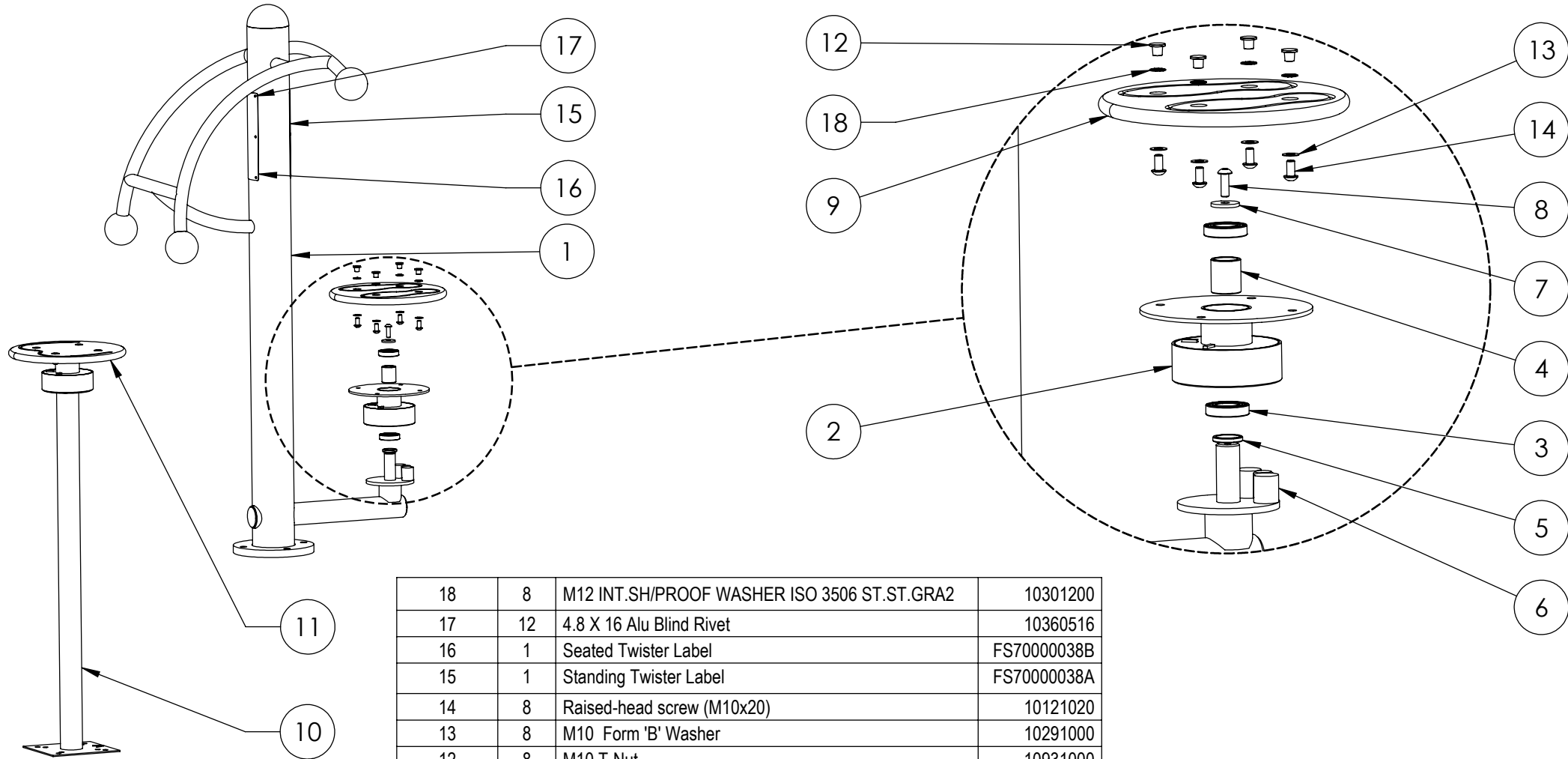
12	5	M12 INT.SH/PROOF WASHER ISO 3506 ST.ST.GRA2	10301200
11	12	4.8 x 16 ALU BLIND RIVET	10360516
10	1	Arm Stretch Label	FS70000036B
9	1	Finger Stretch Label	FS70000036A
8	3	M10 x 40 BARREL NUT	10301004
7	3	Raised-head screw (M10x20)	10121020
6	5	M10 T-Nut	10931000
5	5	Raised-head screw (M10x30)	10121030
4	8	M10 Form 'B' Washer	10291000
3	1	Finger Trace Board	GYM1906
2	1	Arm Lift Panel	GYM1905
1	1	Finger & Arm Lift Post	GYM1901
Balloon	Qty	Description	Doc. ID

FS037 Ladder Walk Part Identification



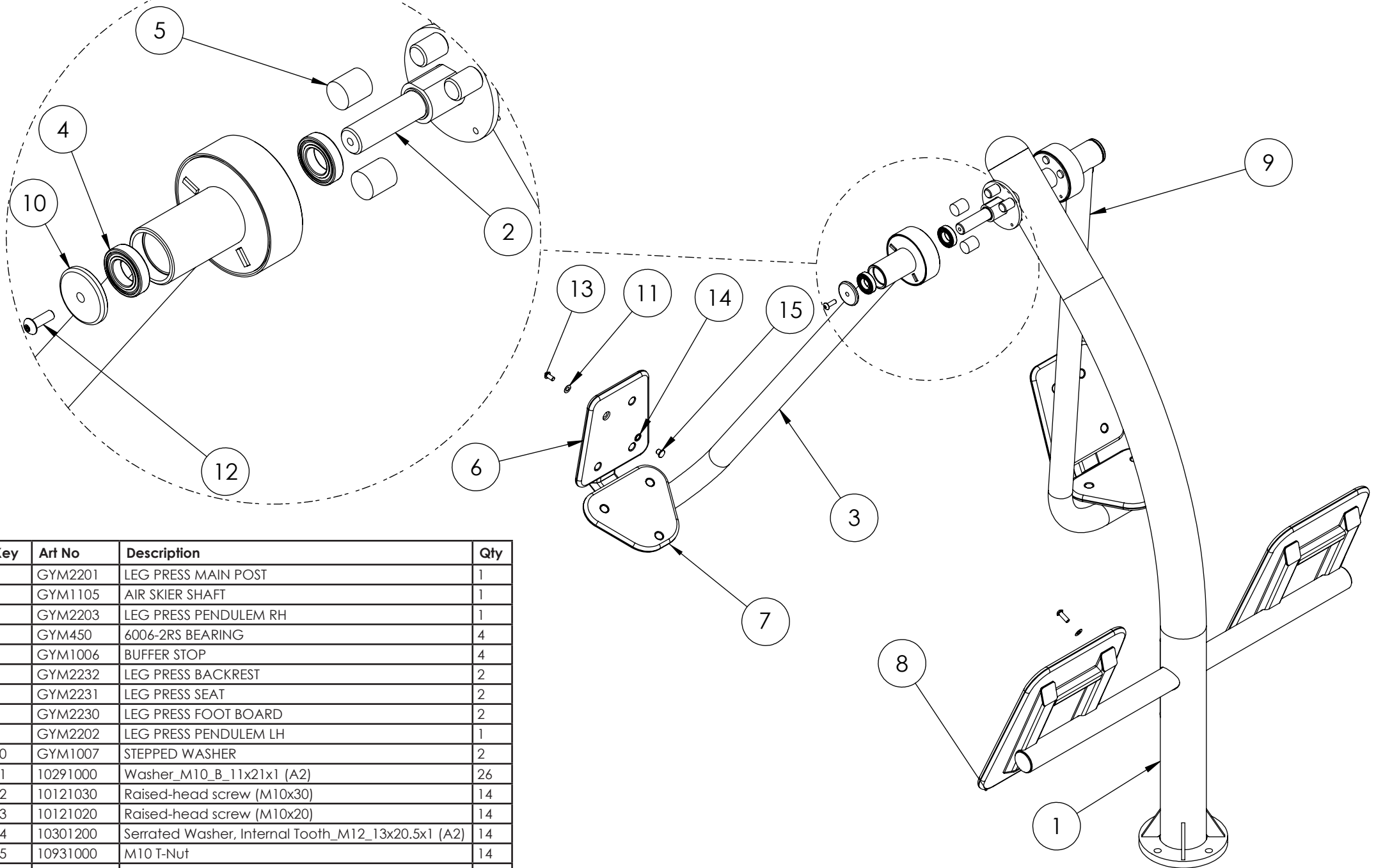
10	6	4.8 x 16 ALU BLIND RIVET	10360516
9	1	Ladder Walk Label	FS70000037
8	4	Tower Gasket Ø88.9	19023802
7	8	M10 SADDLE WASHER	38001019
6	12	Raised-head screw (M10x30)	10121030
5	12	M10-WASHER SH-PROOF	10301000
4	2	Ladder Walk Handrail	GYM2003
3	1	Ladder Walk Rungs	GYM2002
2	4	Sports Fixing Spacer	19025501
1	4	Ladder Walk Post	GYM2001
Ballon	Qty	Description	Doc ID

FS038 Twister Part Identification



18	8	M12 INT.SH/PROOF WASHER ISO 3506 ST.ST.GRA2	10301200
17	12	4.8 X 16 Alu Blind Rivet	10360516
16	1	Seated Twister Label	FS70000038B
15	1	Standing Twister Label	FS70000038A
14	8	Raised-head screw (M10x20)	10121020
13	8	M10 Form 'B' Washer	10291000
12	8	M10 T-Nut	10931000
11	1	Twister Seat Disc	GYM2109
10	1	Twister Seated Post	GYM2102
9	1	Twister Standing Disc	GYM2108
8	2	Raised-head screw (M10x30)	10121030
7	2	Locking Washer	GYM217
6	4	BUFFER STOP	GYM1006
5	2	Twister Short Bearing Spacer	GYM2107
4	2	Twister Long Bearing Spacer	GYM2106
3	4	6006-2RS BEARING	GYM450
2	2	Twister Buffer Stop Hub	GYM2104

FS040 Leg Press Part Identification



Key	Art No	Description	Qty
1	GYM2201	LEG PRESS MAIN POST	1
2	GYM1105	AIR SKIER SHAFT	1
3	GYM2203	LEG PRESS PENDULEM RH	1
4	GYM450	6006-2RS BEARING	4
5	GYM1006	BUFFER STOP	4
6	GYM2232	LEG PRESS BACKREST	2
7	GYM2231	LEG PRESS SEAT	2
8	GYM2230	LEG PRESS FOOT BOARD	2
9	GYM2202	LEG PRESS PENDULEM LH	1
10	GYM1007	STEPPED WASHER	2
11	10291000	Washer_M10_B_11x21x1 (A2)	26
12	10121030	Raised-head screw (M10x30)	14
13	10121020	Raised-head screw (M10x20)	14
14	10301200	Serrated Washer, Internal Tooth_M12_13x20.5x1 (A2)	14
15	10931000	M10 T-Nut	14
16	FS70000040	LEG PRESS USE LABEL	1
17	10360516	4.8 x 16 ALU BLIND RIVET	6