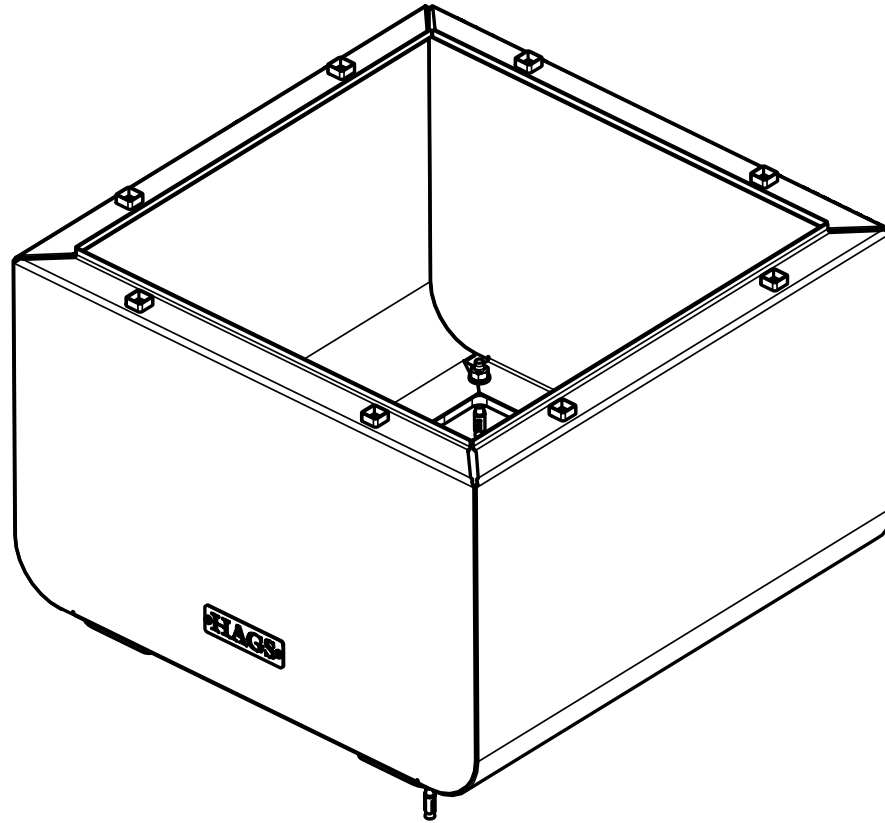


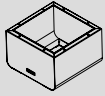
HAGS[®]

Square Base Module

MASW78930



1 SW78955



1x 600 x 600 x 390

24,20kg

2 8008561



2x Expansion anchor M10x86 HDG

0.04kg

S17



S18



S19



S20



1 x 0,5

