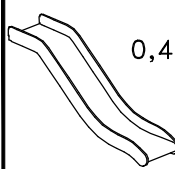

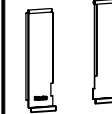
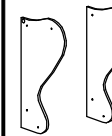

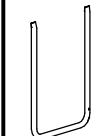
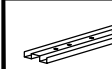
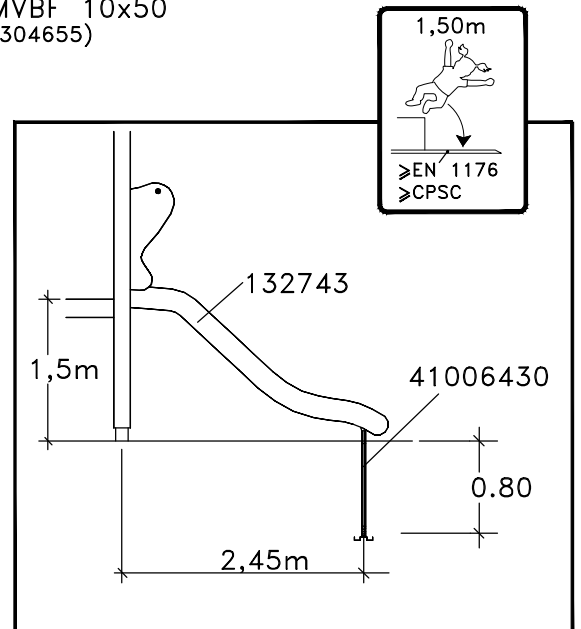
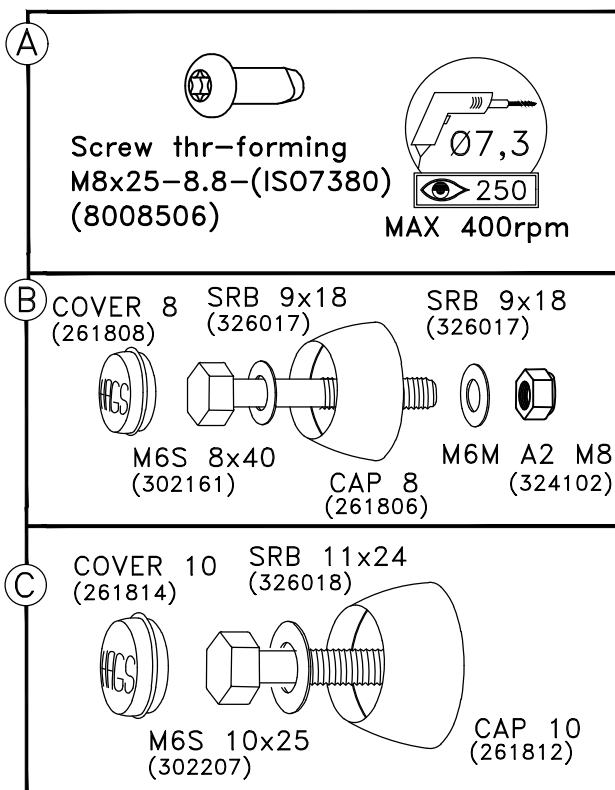


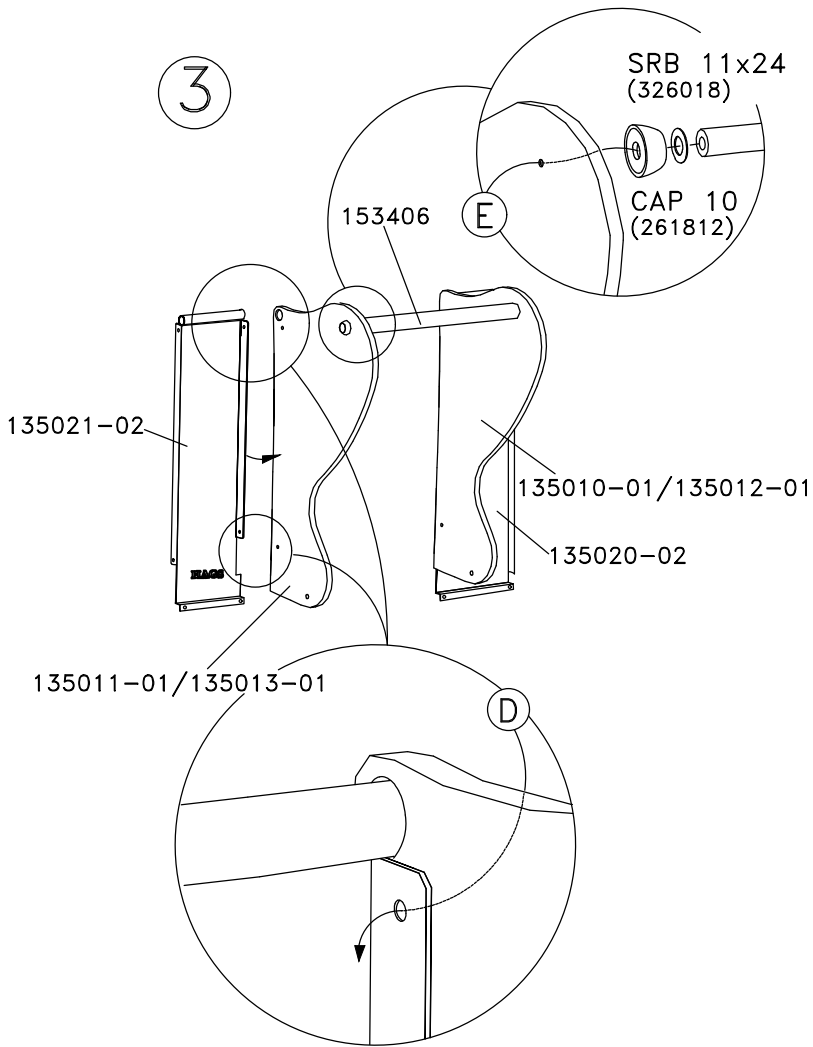
TYPE	HAGS.NO
 0,45x3,2m	132743
 0,89m	410601
 Right panel is marked with punched HAGS logo! 0,2x0,74m	135020-02 135021-02
 0,37x0,71m	135010-01 135011-01 135012-01 135013-01
 Ø25mm L=0,45m	153406
 L=1.04m	41006430
 0,62m	610071-02



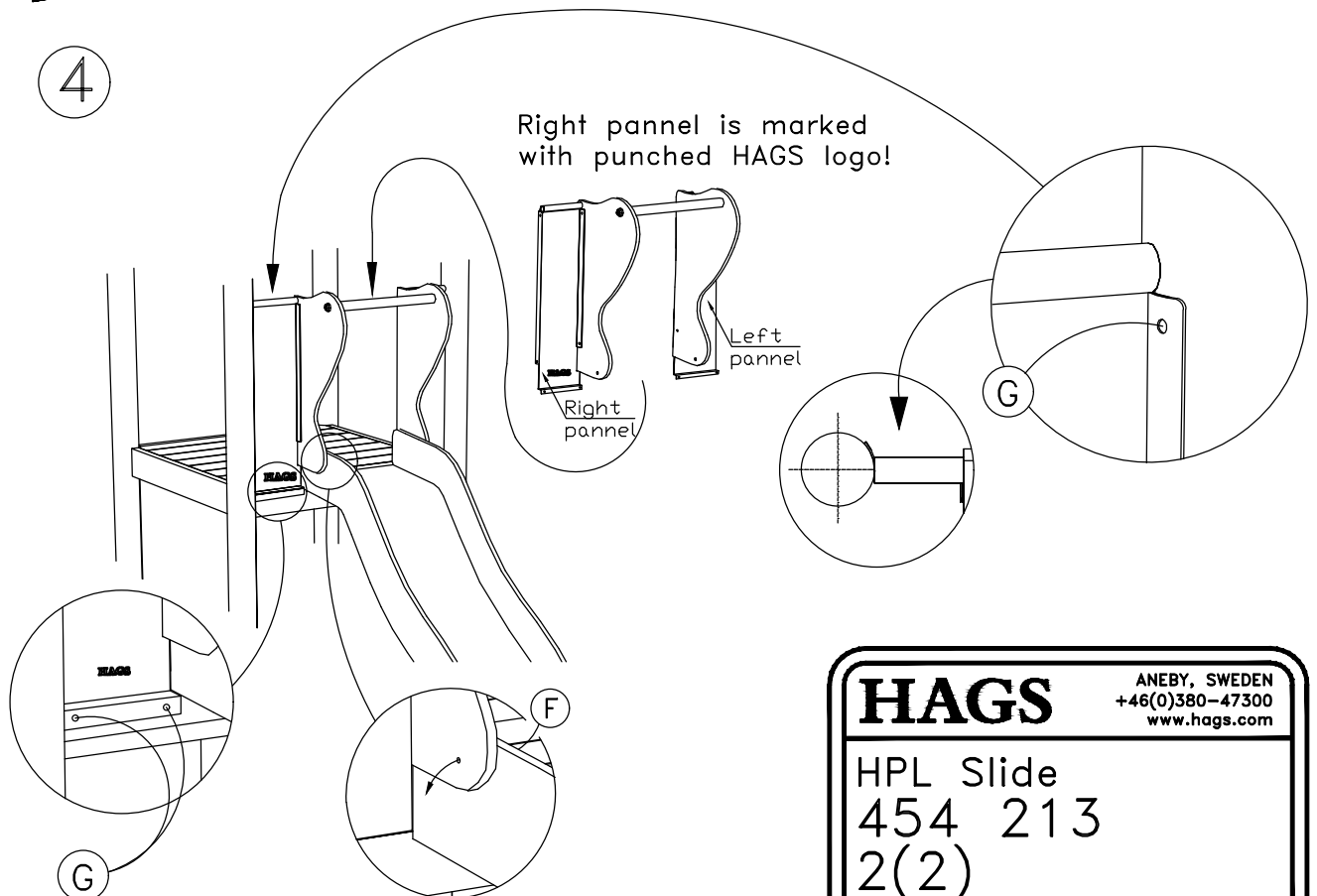
**HAGS** ANEBY, SWEDEN  
+46(0)380-47300  
www.hags.com

HPL Slide  
454 213  
1(2)

TJ - - 5



D	MVBF 6x25 (304552)	M6M A2 M6 (324101)	CAP 6 (261800)	SRB 7x14 (326016)	COVER 6 (261801)
E	M6S 8x55 (302164)	COVER 8 (261808)	SRB 9x18 (326017)	CAP 8 (261806)	
F	MVBF 8x45 (304605)	M6M A2 M8 (324102)	CAP 8 (261806)	SRB 9x18 (326017)	COVER 8 (261808)
G	Screw thr-forming M6x25-8.8-(ISO7380) (8027762)		<p>Ø5,5 250 MAX 500rpm</p>		



<b>HAGS</b>		ANEBY, SWEDEN	
		+46(0)380-47300	
		www.hags.com	
HPL Slide			
454 213			
2(2)			
	TJ		5