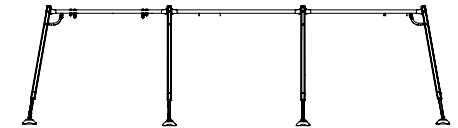

















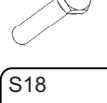
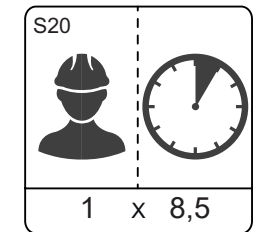
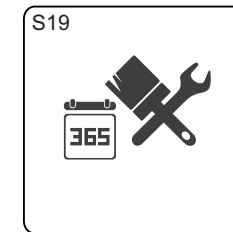
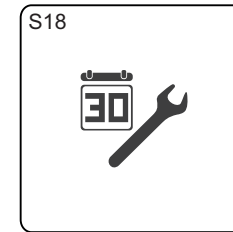
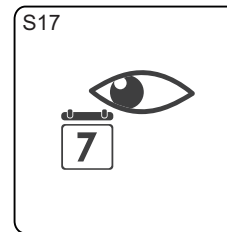


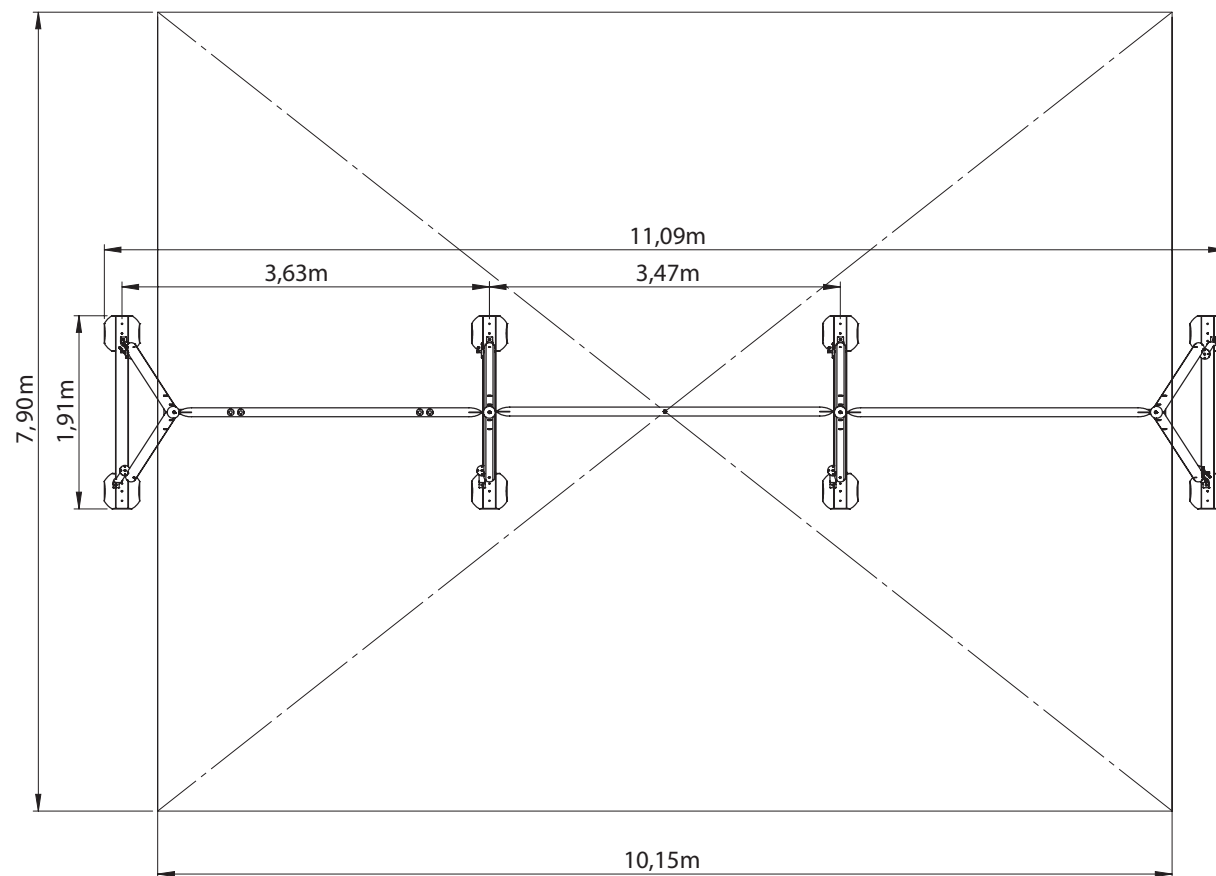
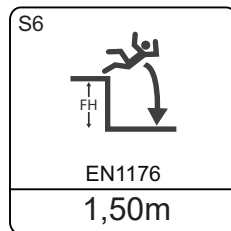
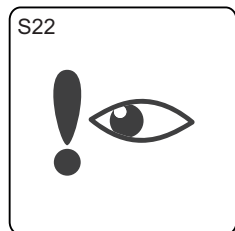
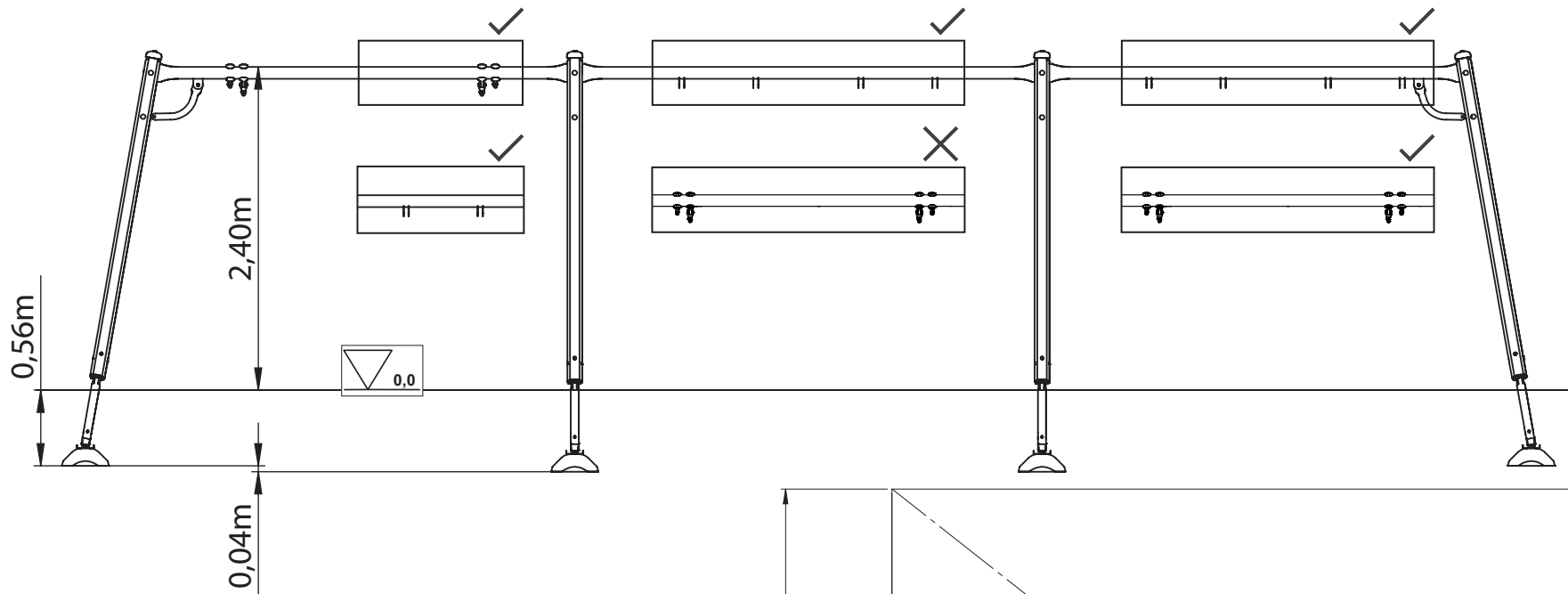
S



| | | | | |
|----|----------|---|------------------------|---------|
| 1 | SW54318 |  | 1x L=3257 | 30.85kg |
| 2 | SW54322 |  | 1x L=3580 | 32.81kg |
| 3 | SW80894 |  | 1x L=3257 | 34.48kg |
| 4 | SW71678 |  | 4x | 0.291kg |
| 5 | 32-03249 |  | 2x 500x430x300 mm | 2.86kg |
| 6 | SW80999 |  | 8x | 9.56kg |
| 7 | 33-03891 |  | 4x 1900x127 mm | 6.25kg |
| 8 | 8005537 |  | 16x Ø35x20 mm | 0.01kg |
| 9 | 43-06052 |  | 8x S4B M12, 34x34x10mm | 0.07kg |
| 10 | 31-01835 |  | 8x 350x350x130 mm | 18.1 kg |
| 11 | 8042811 |  | 6x ISO7042-M12-8 | 0.018kg |
| 12 | 8008834 |  | 18x Ø12,5x30x3 mm | 0.01kg |

| | | | | |
|----|---------|---|------------------------|----------|
| 13 | SW57020 |  | 2x | 0.76kg |
| 14 | SW73082 |  | 8x Ø108.5 x 2495 mm | 7.40kg |
| 15 | 8008425 |  | 4x ISO4014-M12x130-8.8 | 0.1317kg |
| 16 | 8008421 |  | 8x ISO4014-M12x90-8.8 | 0.0961kg |
| 17 | 8008411 |  | 2x ISO4017-M12x30-8.8 | 0.0429kg |
| 18 | 8008414 |  | 8x ISO4017-M12x40-8.8 | 0.0518kg |

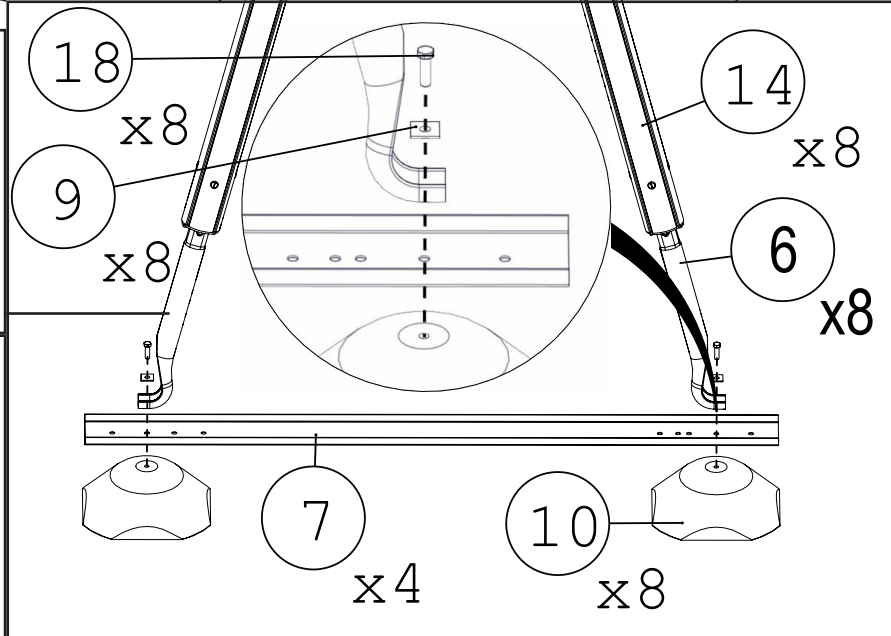
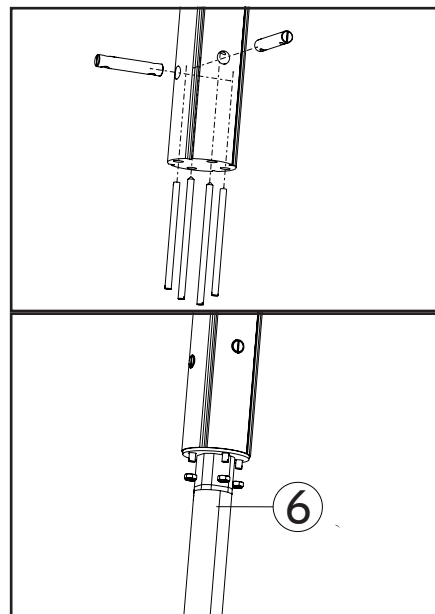
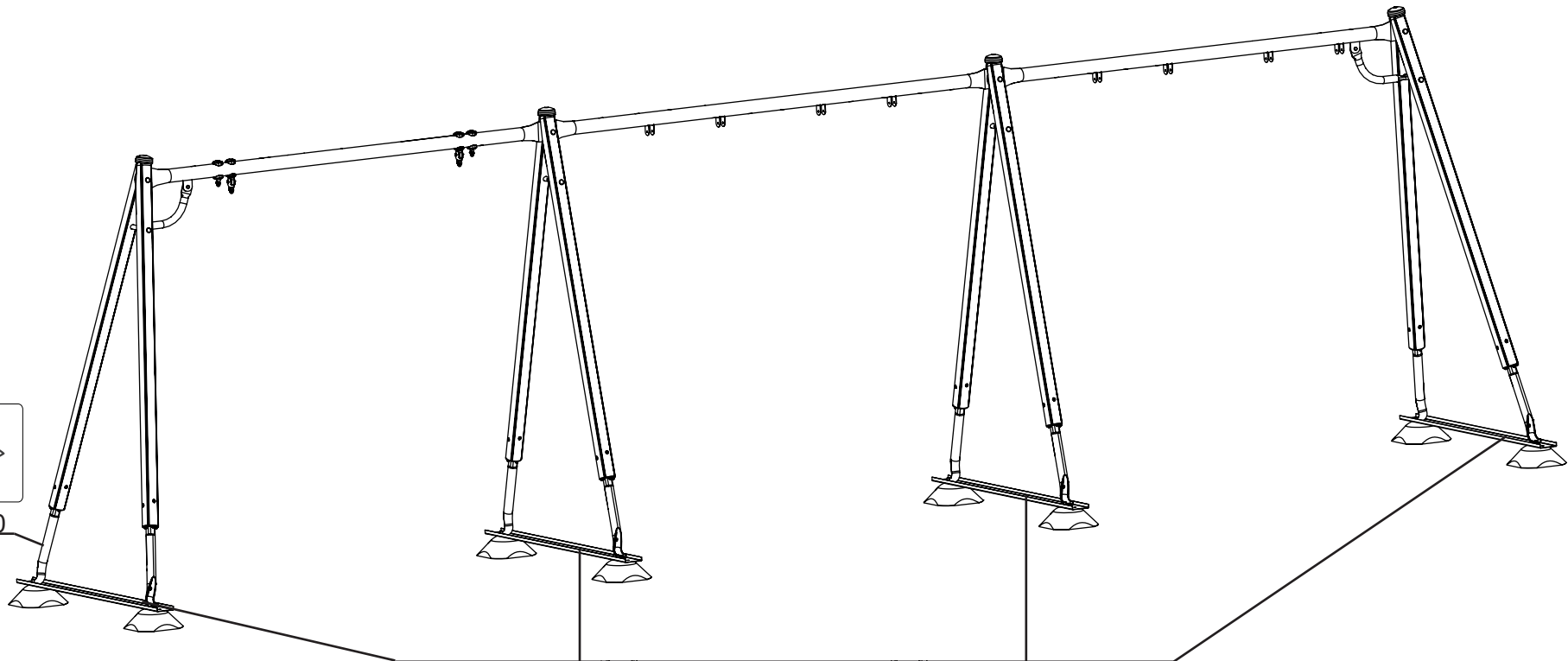






S22

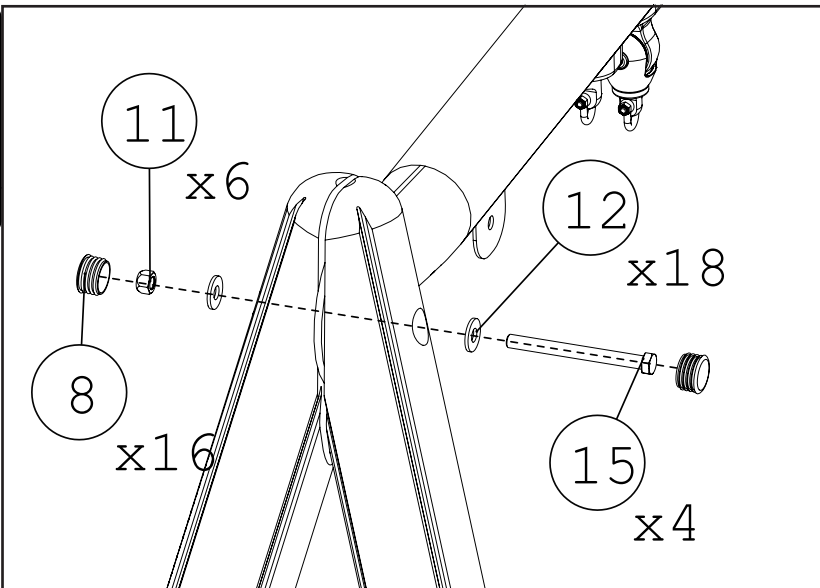
1220



S11



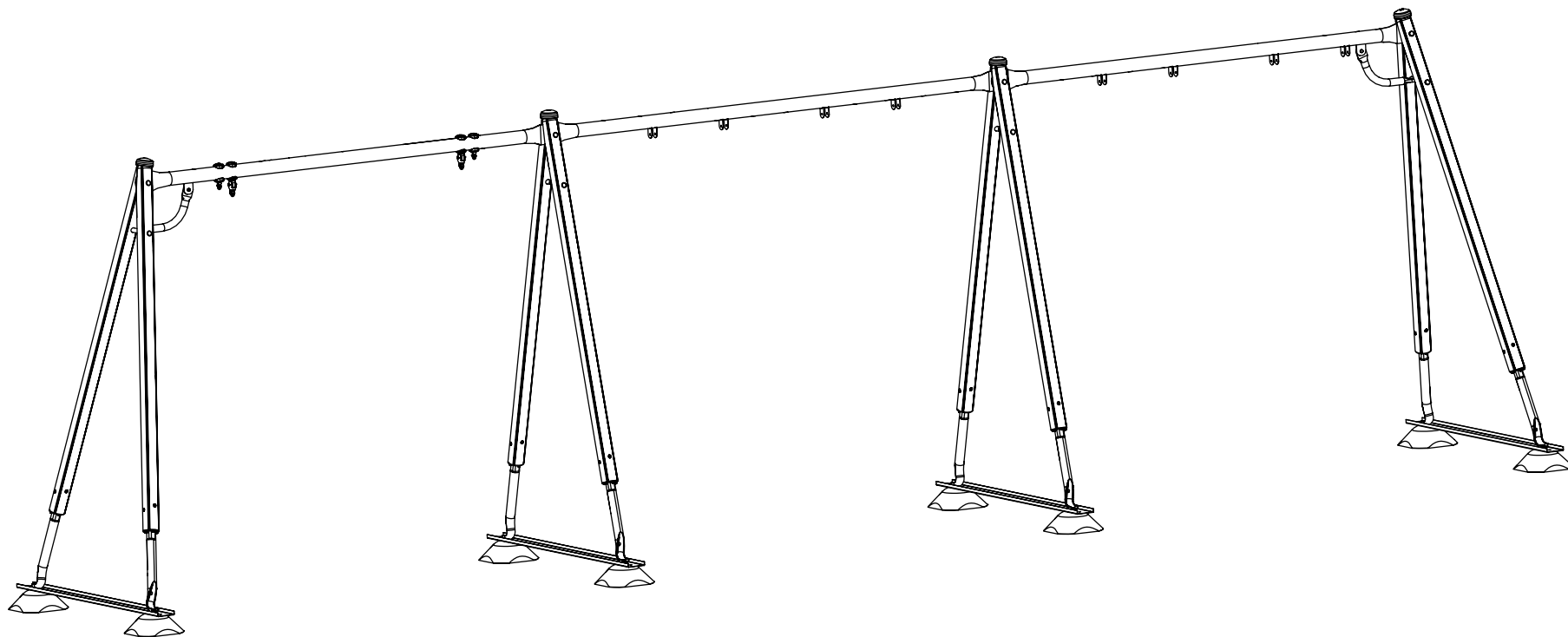
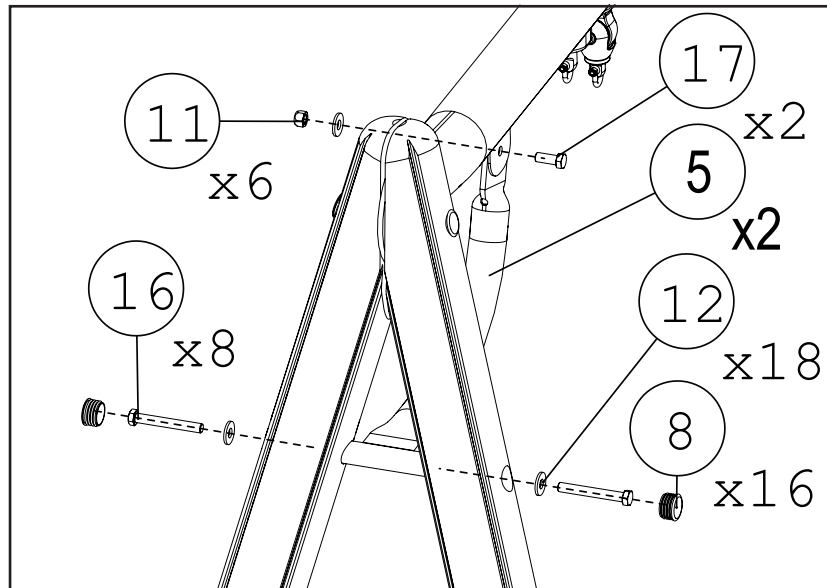
Nm
81nM




S11



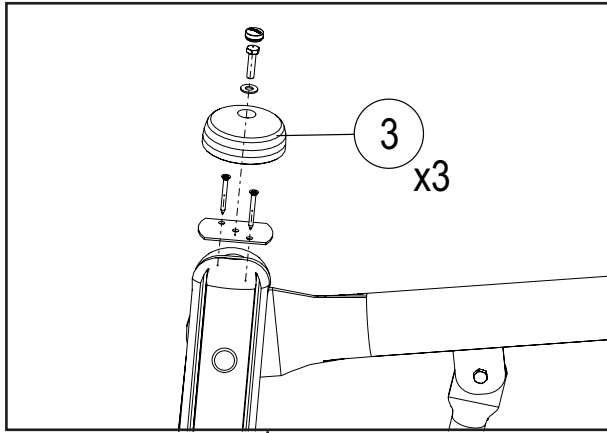
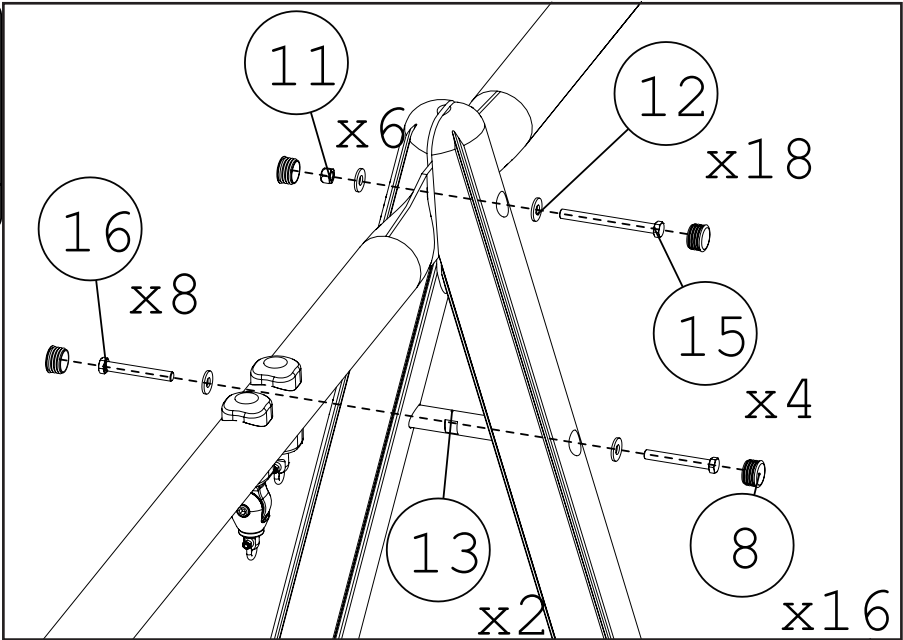
Nm
81nM



S11



Nm
81nM



S22



1227

