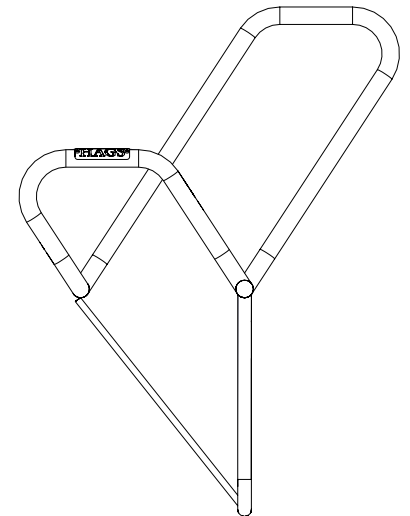
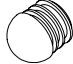
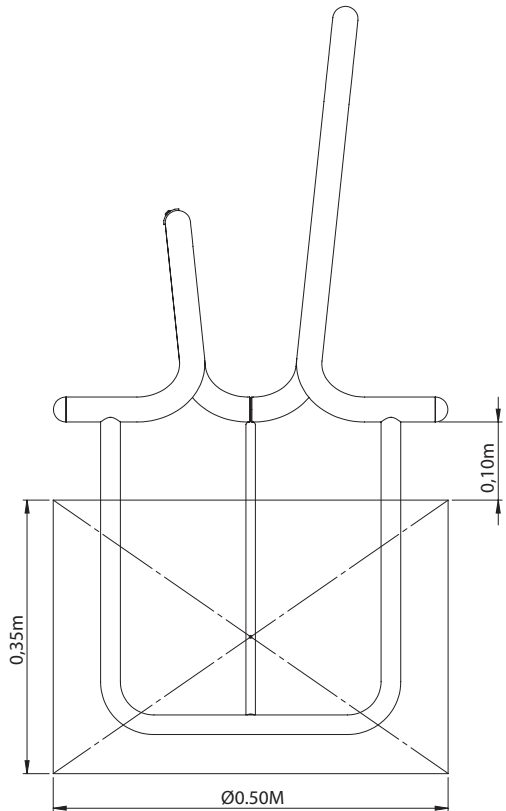
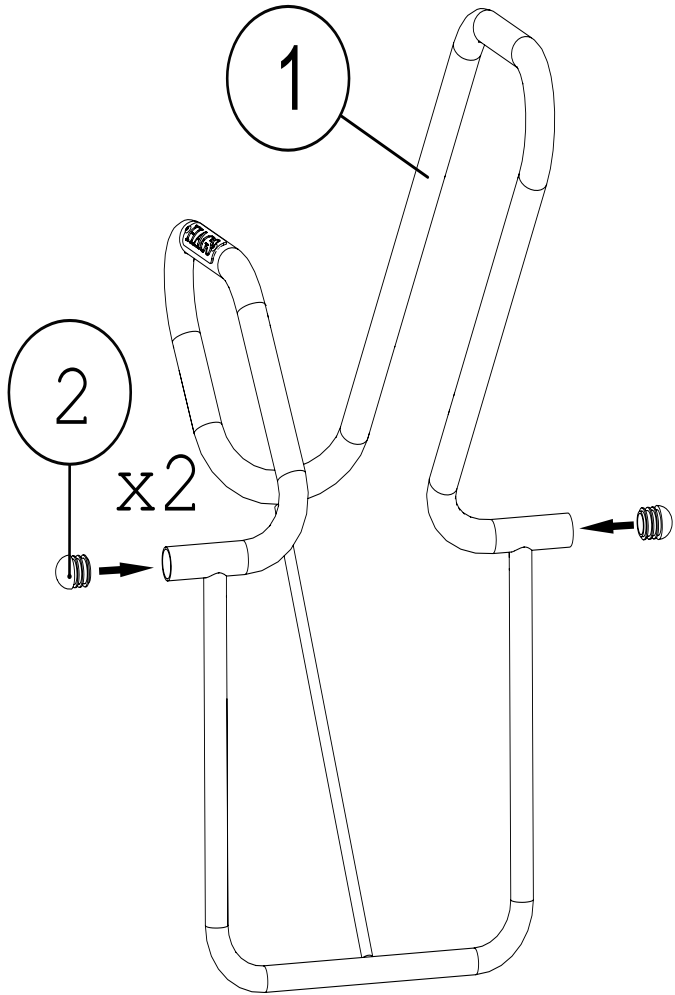
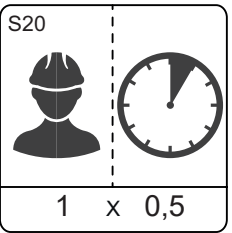
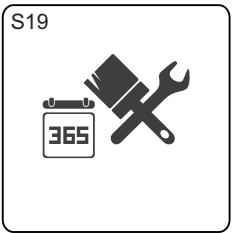
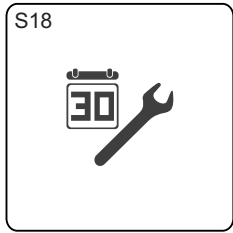
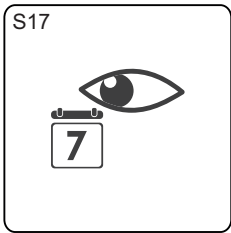





CC



1	SW85083		1x	5.38kg
---	---------	--	----	--------

2	43-07296		2x	0.006kg
---	----------	---	----	---------



S25	
≤C20/25 S1-S3	
	2x24h
	101