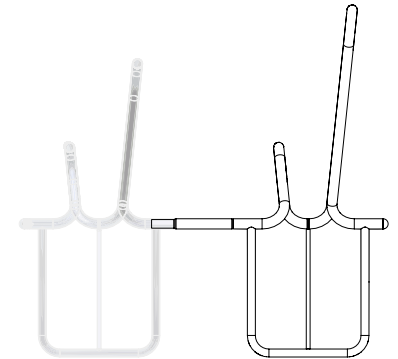
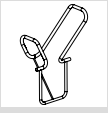




CC




1	SW84346		1x	5.93kg
2	SW84329		1x	0.45kg
3	8008523		2x	DIN7500C-M6x20-8.8 0.007kg


S17




S18



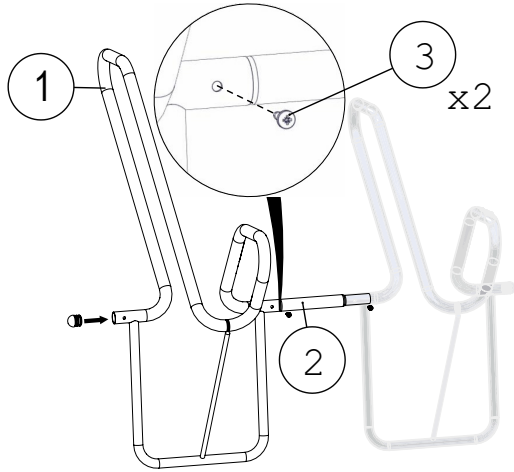
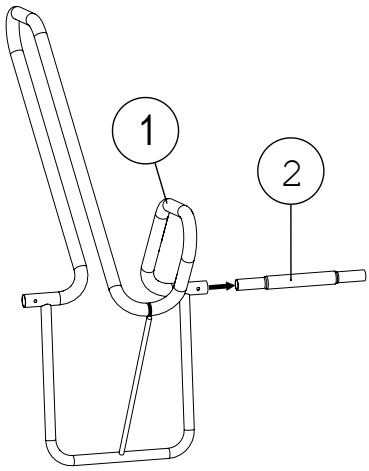
S19




S20



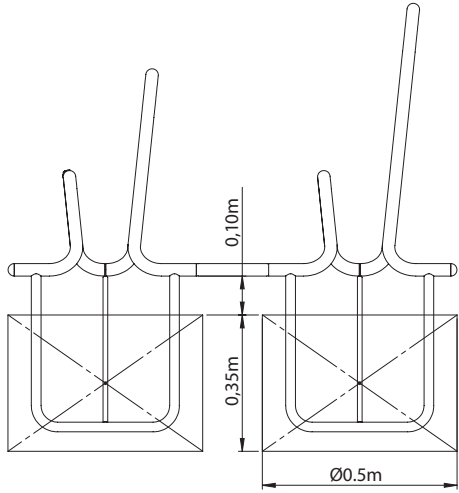
1 x 0,5




S10




mm
Ø5,5mm x2




S25



≤C20/25
S1-S3



2x24h



101