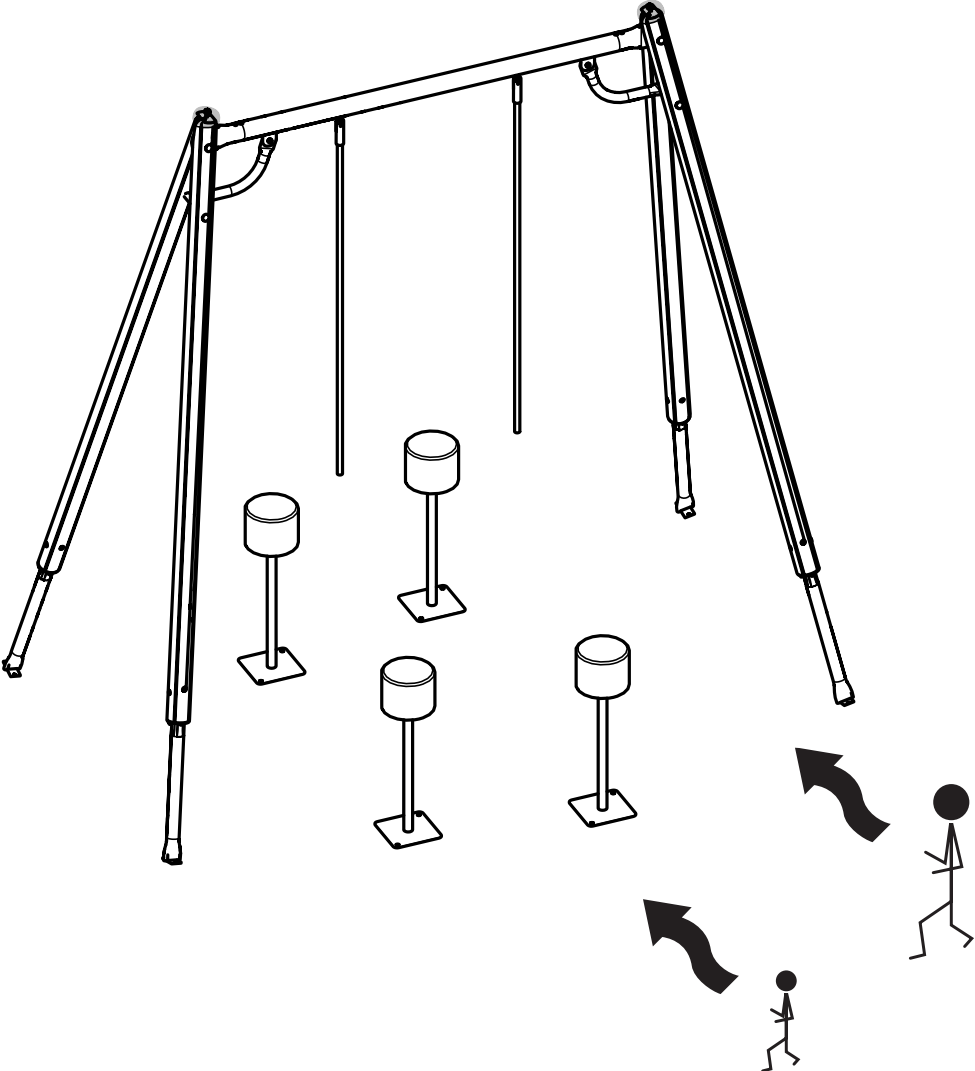


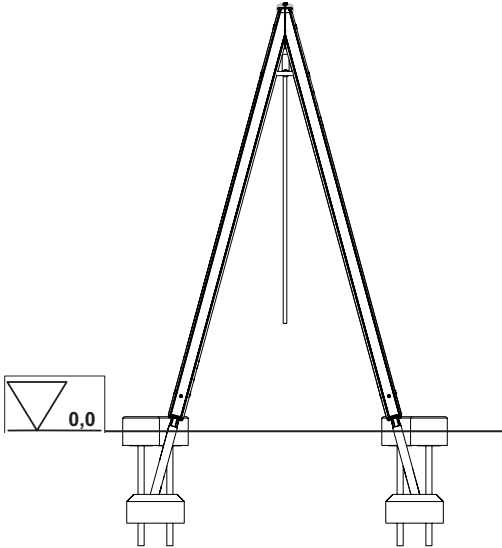
HAGS[®]








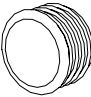

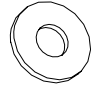


Rope Swing Obstacle Course


MASW72256




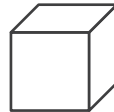
CC





1	SW72257		1 x 2470x89x187 mm	24.64 kg
2	SW71678		2 x PA6 Ø117 mm	0.08 kg
3	8001042		2 x 500x430x300 mm	2.30 kg
4	SW71475		4 x 700x105x105 mm	4.12 kg
5	SW73436		4 x 790x250x250 mm	4.17 kg
6	SW72412		2 x L=2000 Ø25 mm	1.62 kg
7	SW73437		4 x H=200 Ø255 mm	9.64 kg
8	8005537		8 x SFL Ø35x20 mm	0.01 kg
9	8042811		4 x ISO7042-M12-8	0.02 kg
10	8008834		10 x Ø12,5x30x3 mm	0.01 kg
11	8008426		2 x ISO4014-M12x140-8.8	0.13 kg
12	8008421		4 x ISO4014-M12x90-8.8	0.10 kg


13	8008411		2 x ISO4017-M12x30-8.8	0.04 kg
14	8071026		4 x Ø10x32x6 mm	0.01 kg
15	SW73086		4 x L=2970 Ø108.5 mm	12.50 kg
16	780-670		2 x M5x20 A4-70	0.01 kg
17	8039910		2 x L=34 Ø10 mm	0.02 kg
18	8008713		2 x ISO7049-ST.2.9x9.5-C-H	0.01 kg
19	8005499		1 x Label Alu	0.01 kg



S12

 kg
 136.80


S15

 L x W x H (m)
 3.40 x 2.25 x 2.86


S13

 m³
 0.121


S25

 S2 (50mm)
 ≥C20-25

S14

 m²
 24.5

 7 x 24
 101

S6

 EN1176
 1.75m

S20

 1 x 5





S17

 7

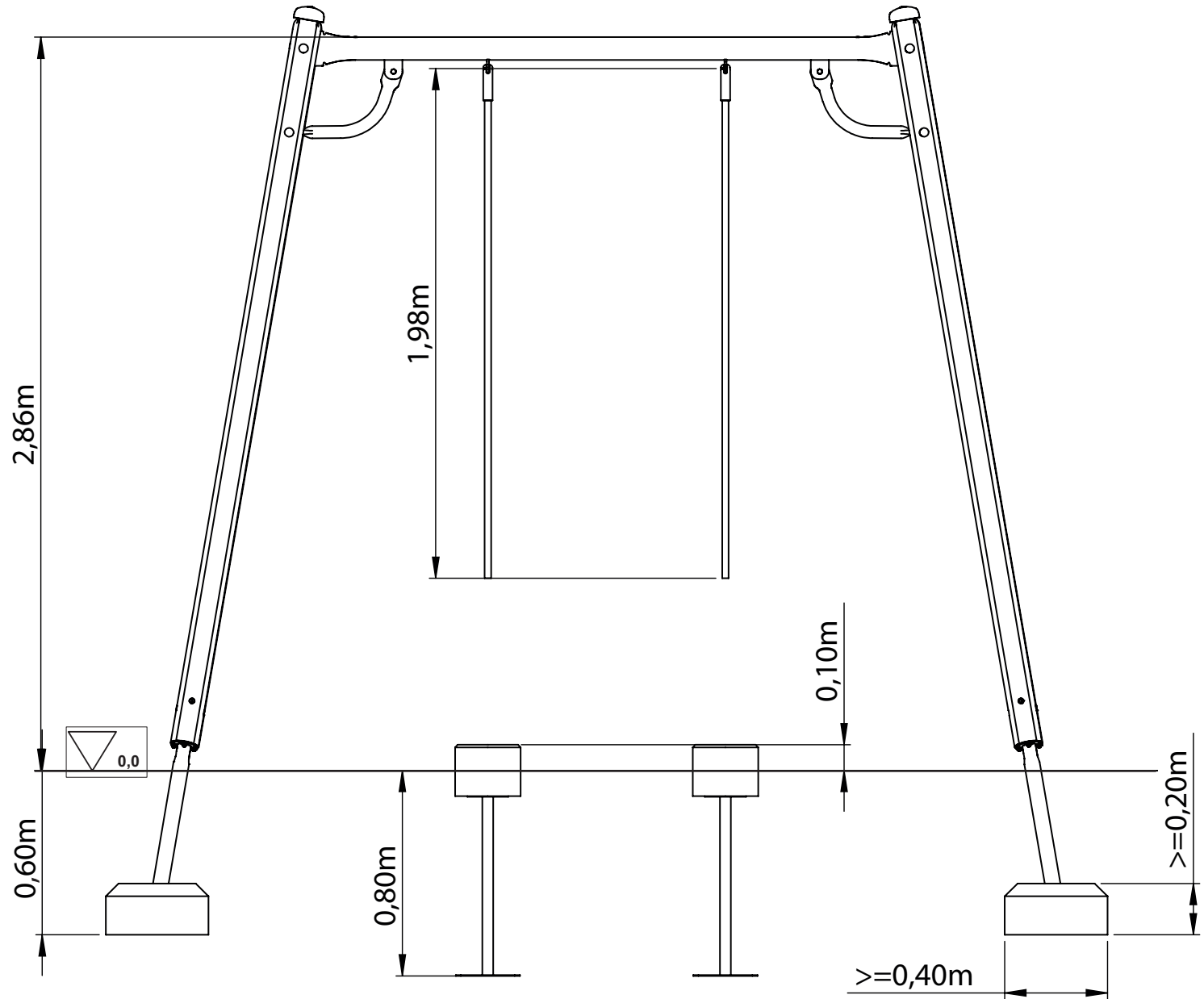
S18

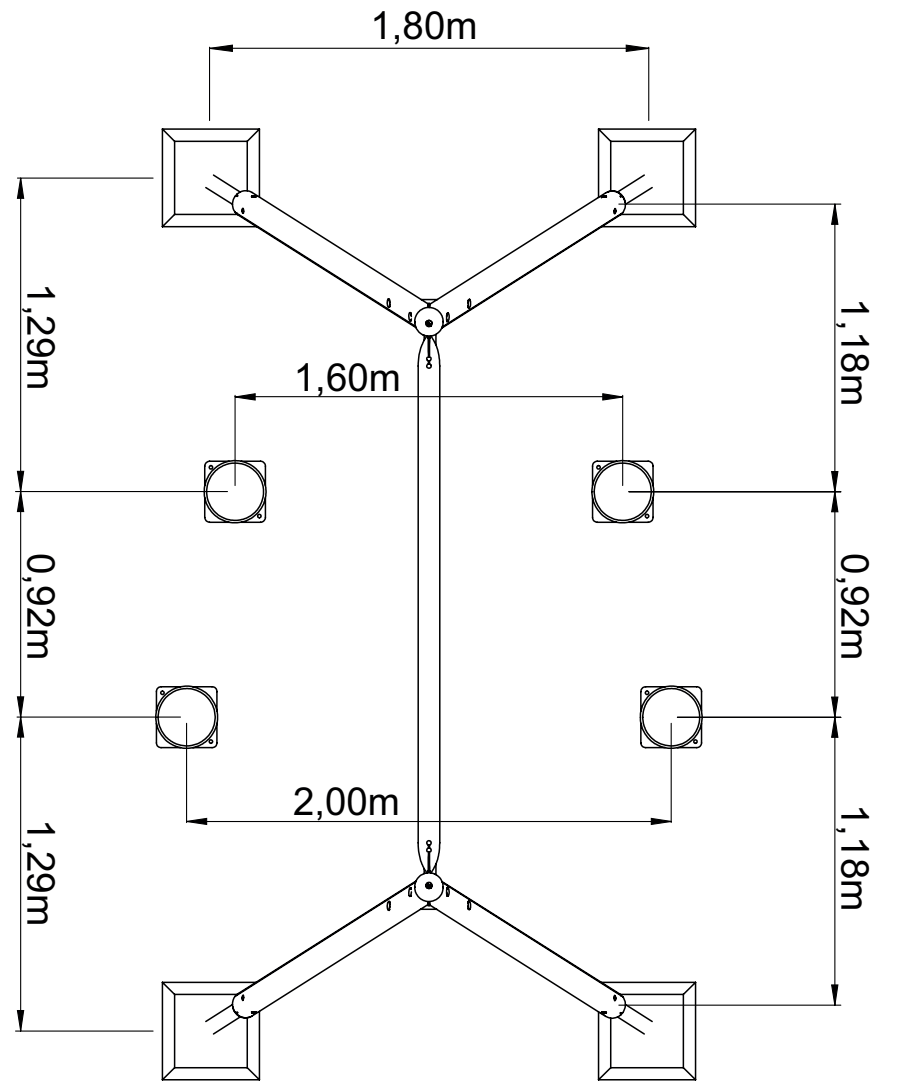
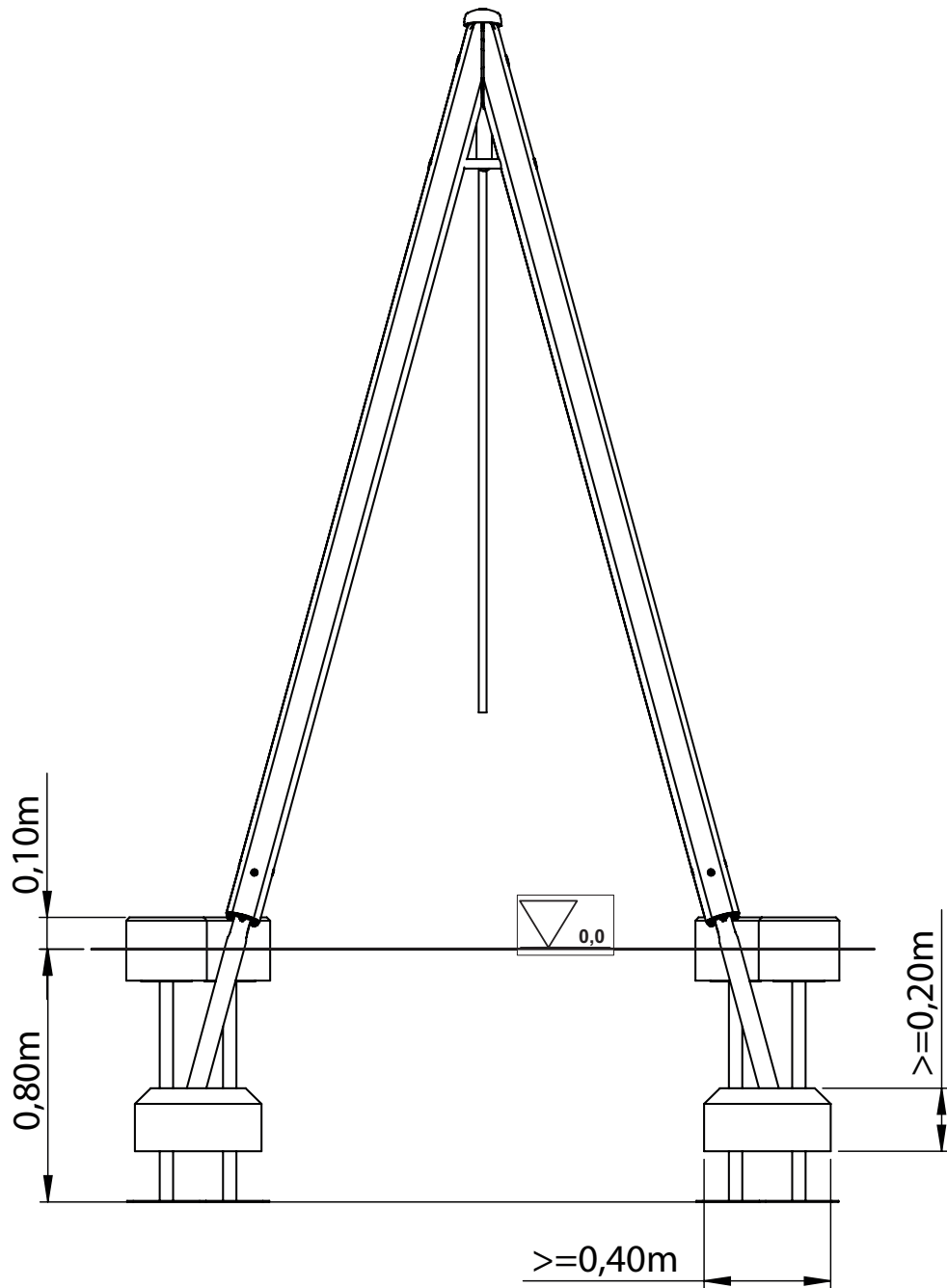
 30

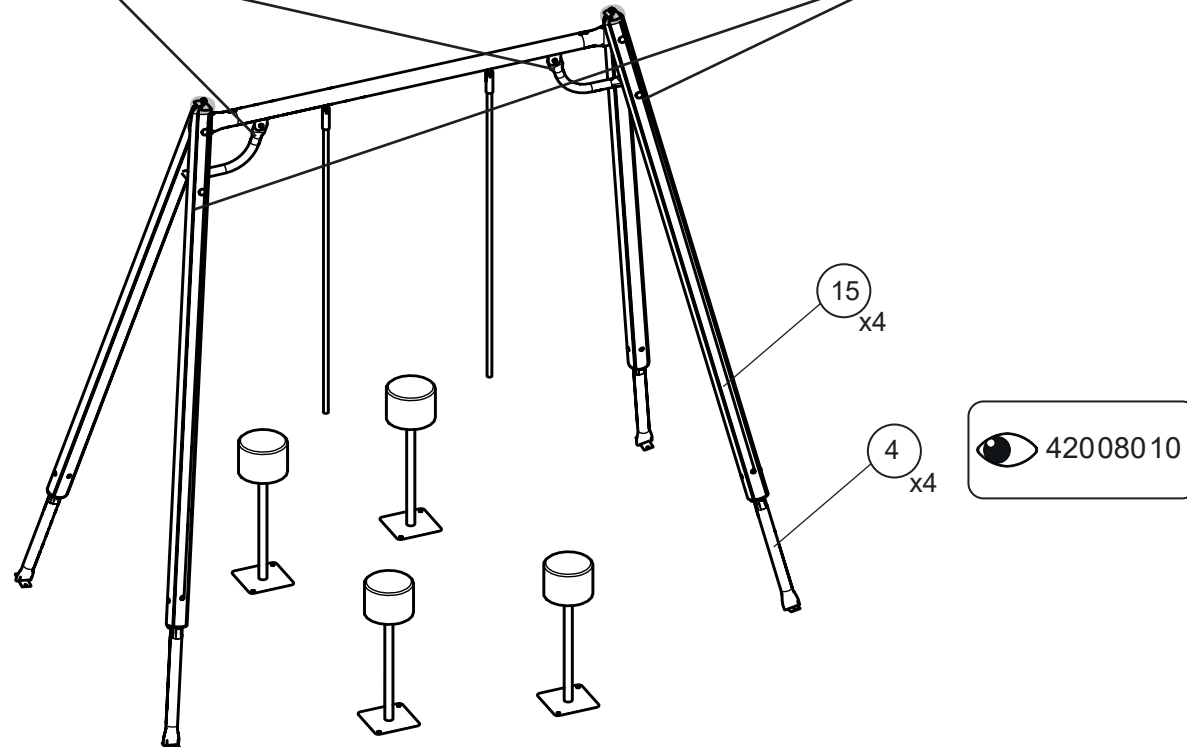
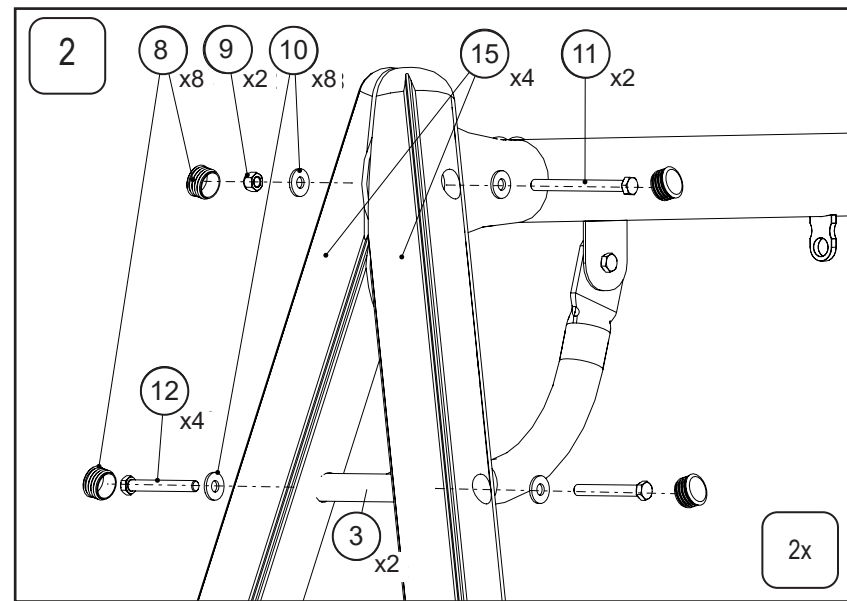
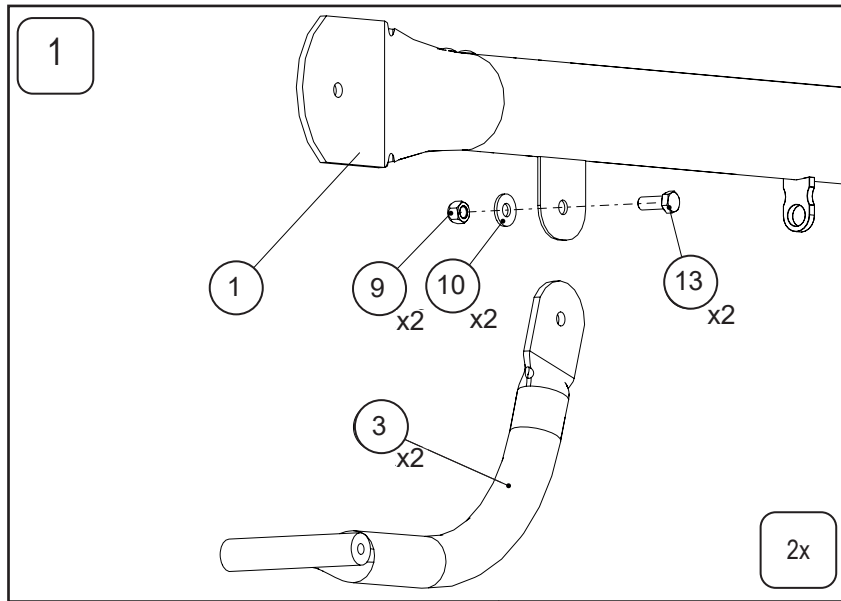
S19

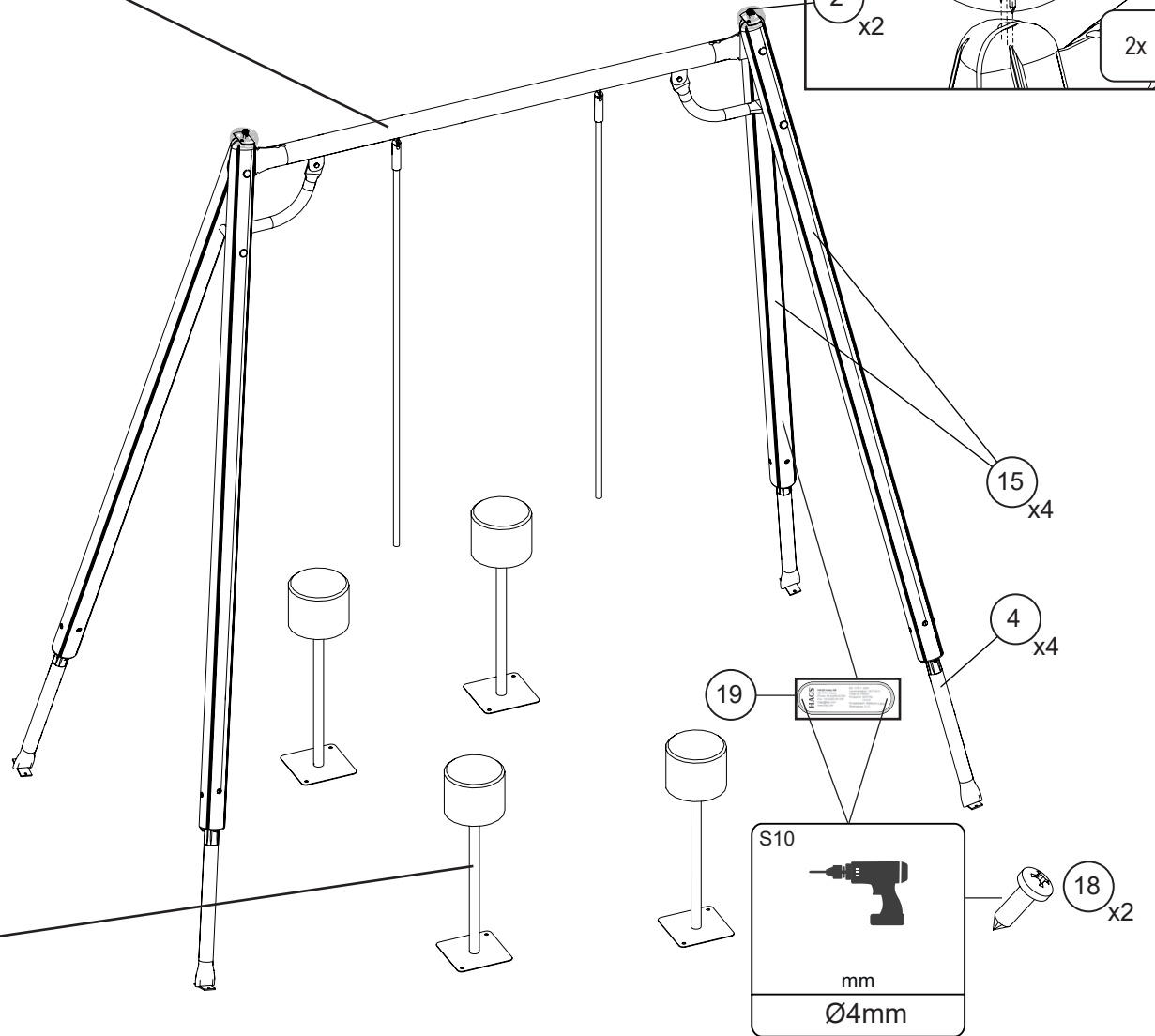
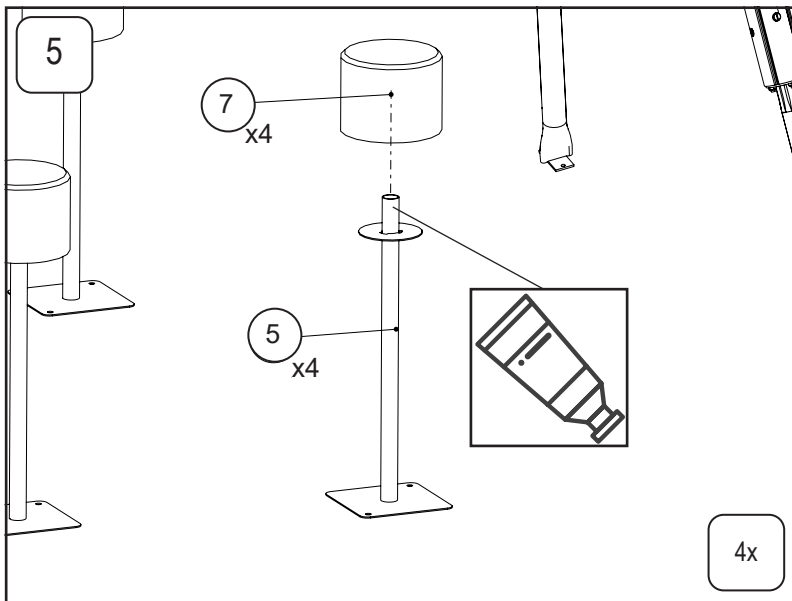
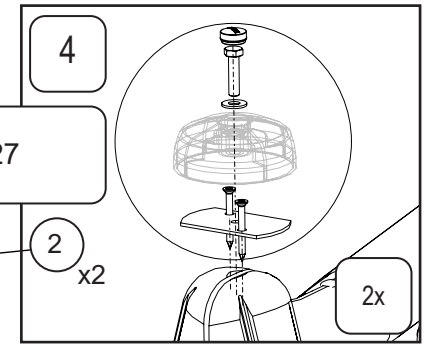
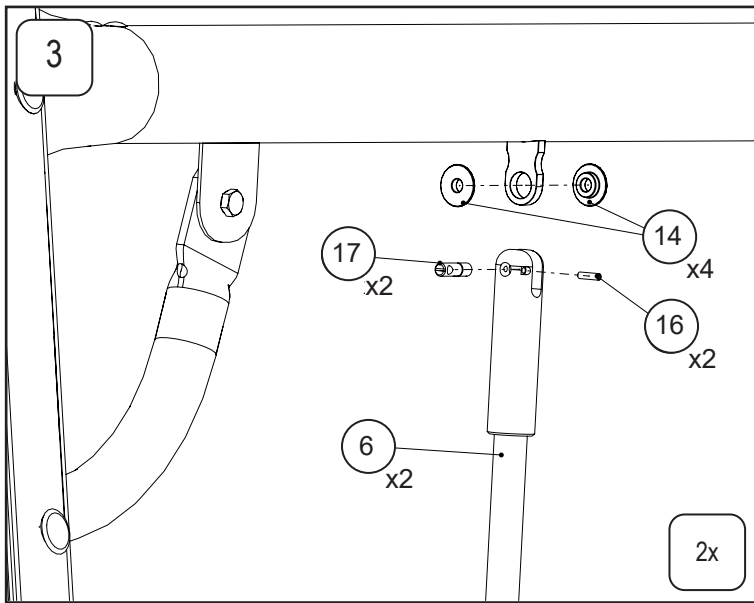
 365

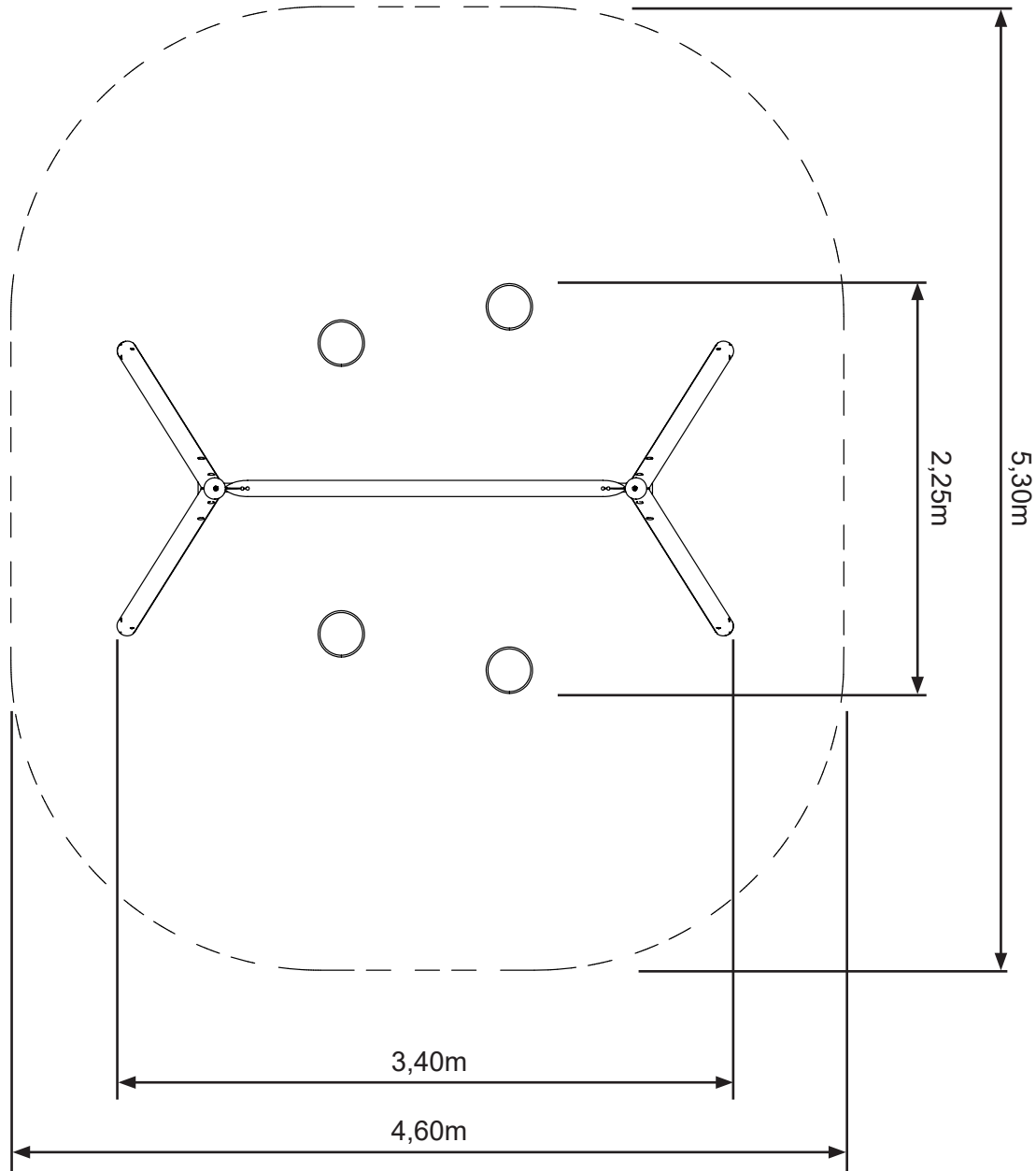
S13	
m ³	0.121
S25	
S2 (50mm)	≥C20-25
	7 x 24
	101











S6

EN1176
1.75m

