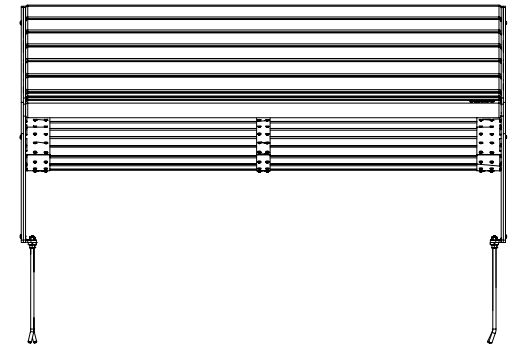

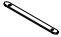





CC




1	SW85429		1x 1792x1857x879mm	119.26kg
2	SW85535		2x 398x30x8mm	0.72kg
3	8042811		8x Nut, ISO7042-M12-8	0.018kg
4	SW22912		4x M12x400 8.8	0.35kg


S17




S18




S19




S25



≥C20/25
S1-S3
(EN 206-1)


 1x24h

S13



m³
2 x 0.064

S20



1 x 0,5

