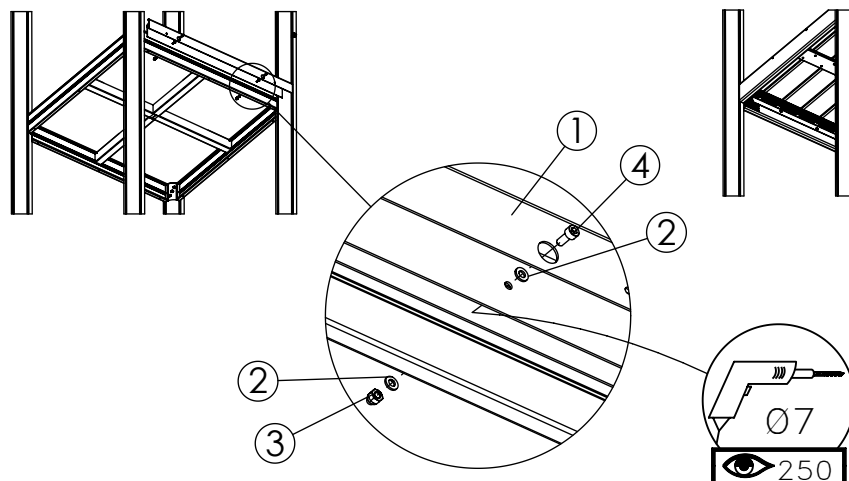
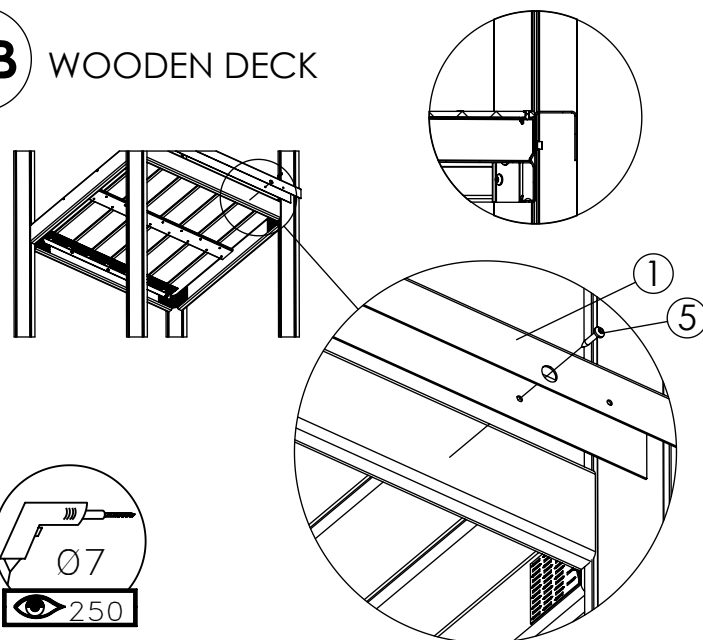


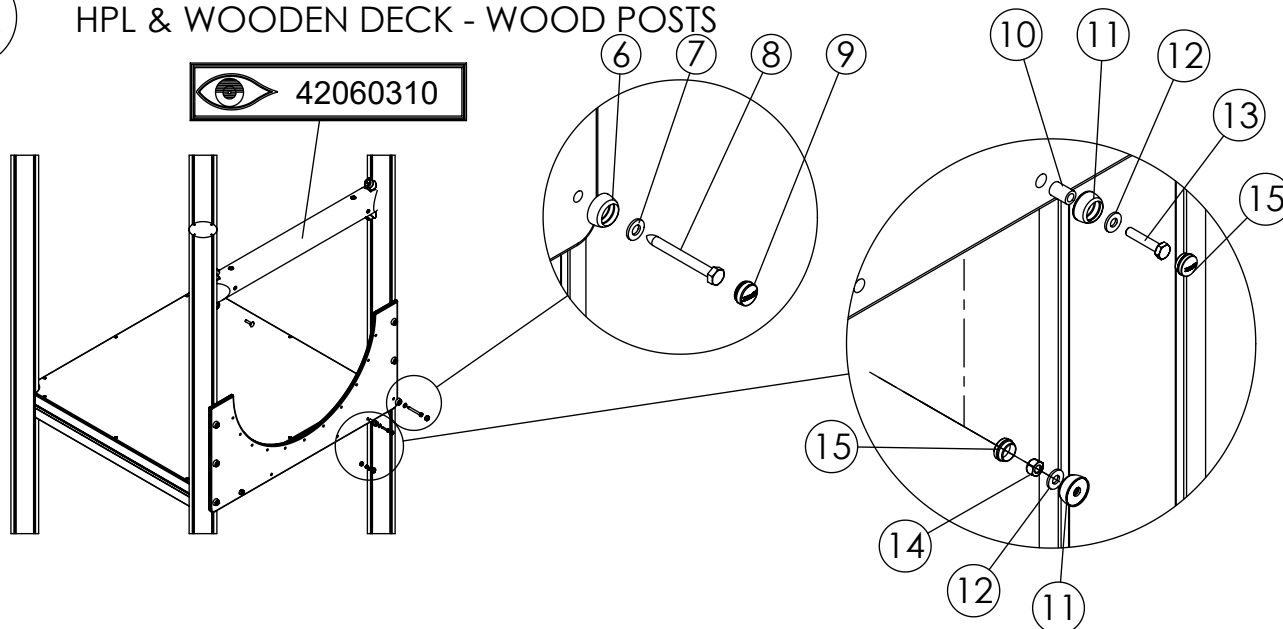
# 1 A HPL DECK



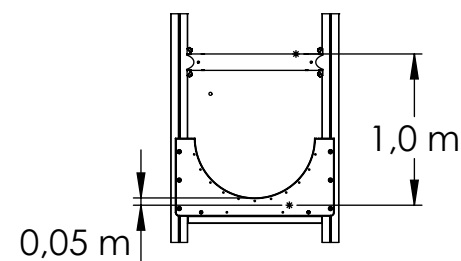
# 1 B WOODEN DECK



# 2A HPL & WOODEN DECK - WOOD POSTS



NR.	Description MA	Item Number	Qty
1	943x70 mm	8066109	1
2	Washer ISO7089-6.4x12x1.6	8008845	4
3	Nut, DIN986-M6-8	8008752	2
5	Screw, TKT 6x30-8.8	8008697	2
7	Washer, Bolt cap 9x18x2-ISO4759-3-C	8008849	6
8	Screw, wood, DIN571-8x75-8.8	8008628	6
9	Cover 8, Ø18x10mm	8005958	6
10	Ø10 x 15 mm	8005955	2
12	Washer, Bolt cap 6.4x14x1.6-ISO4759-3-C	8008848	4
13	Screw, ISO4014-M6x30-8.8	8008334	2
14	Nut, ISO7042-M6-8	8042808	2
50	Screw, ISO8677-M8x35-8.8	8039279	1



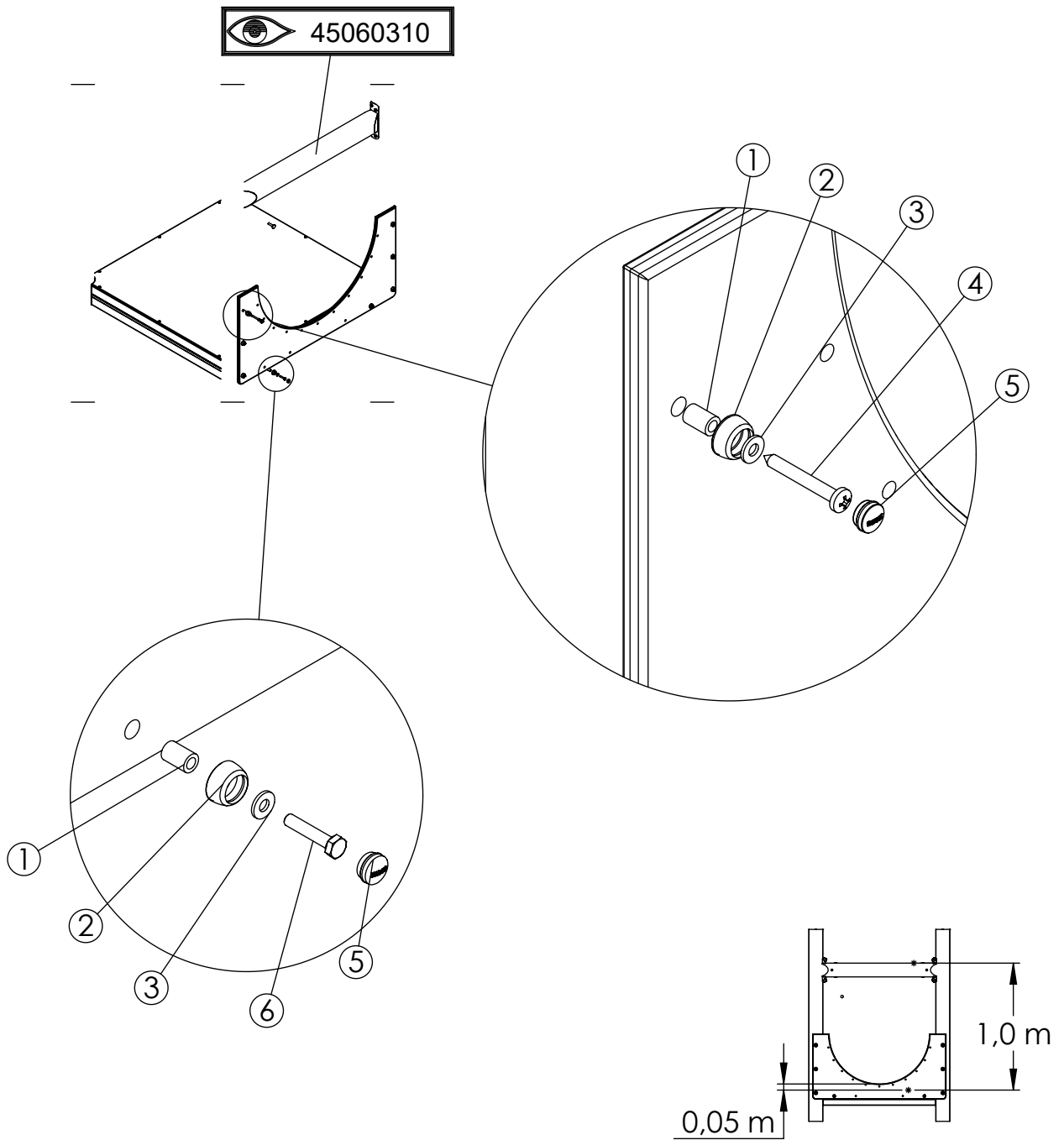
**HAGS** ANEBY, SWEDEN  
+46(0)380-47300  
www.hags.com

**Tube Entrance**

**MASW89630**

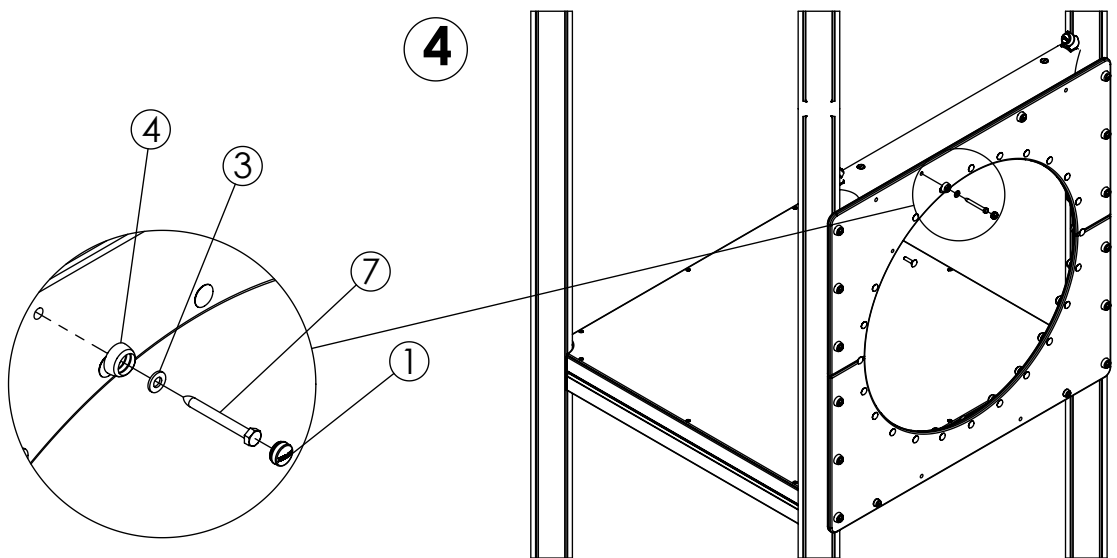
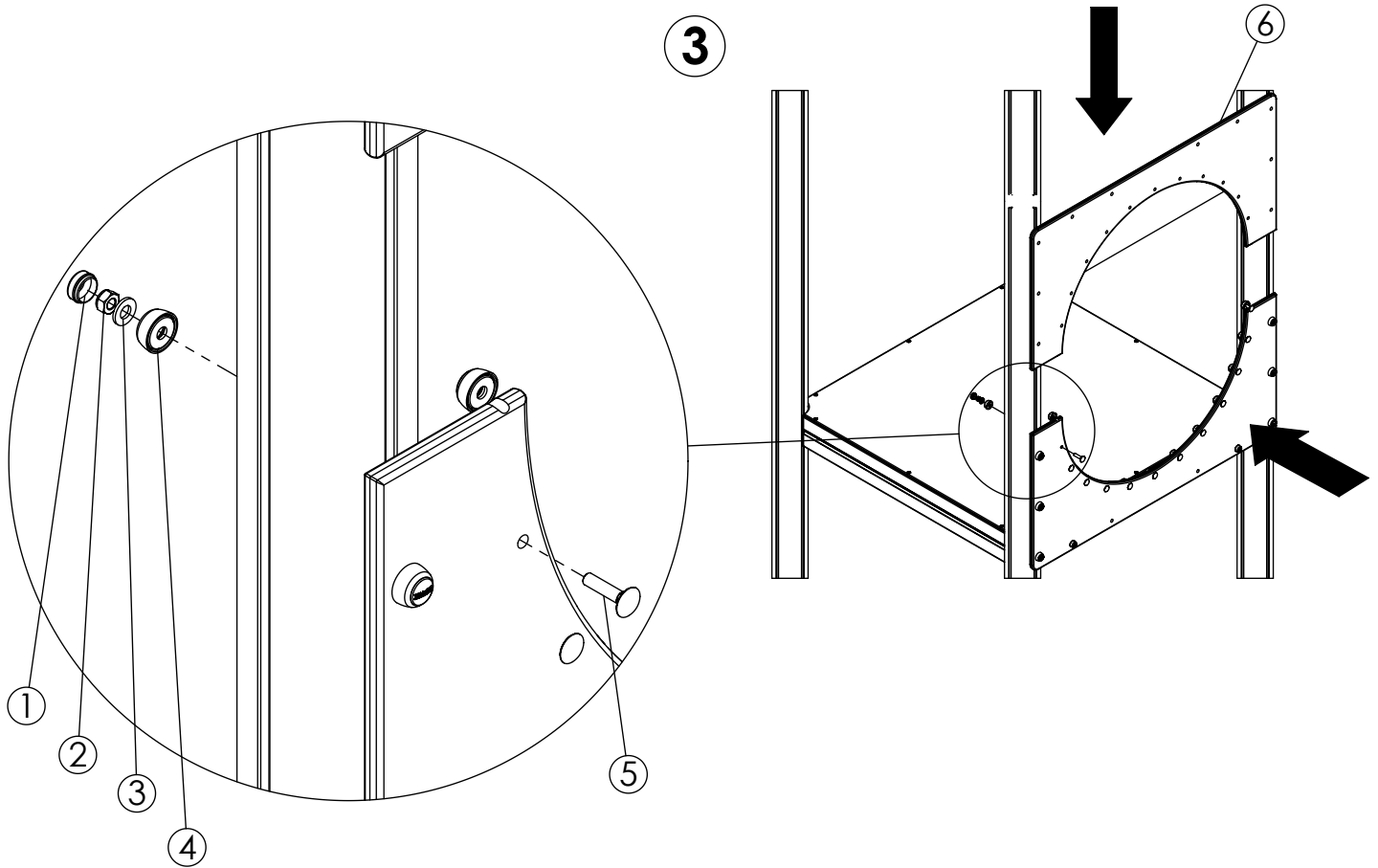
1 (3)

HB AA 2022-08-26 1



NR.	Description MA	Item Number	Qty
1	Ø10 x 15 mm	8005955	8
2	Cap M6 Ø21x9mm	8005954 (261803)	10
3	Washer, Bolt cap 6.4x14x1.6-ISO4759-3-C	8008848	10
4	Screw, tapping, ISO7049-ST6.3x50-C-H-St	8008724	6
5	Cover M6, Ø15x10mm	8005952 (261801)	10
6	Screw, ISO4014-M6x30-8.8	8008334	2

<b>HAGS</b>				ANEBY, SWEDEN +46(0)380- 47300 www.hags.com	
<b>Tube Entrance</b>					
<b>MASW89630</b>					
<b>2 ( 3 )</b>					
	HB		AA	2022-08-26	1



NR.	Description MA	Item Number
1	Cover 8, Ø18x10mm	8005958
2	Nut, Fujilok-M8-8-RingA2	8008795
3	Washer, Bolt cap 9x18x2-ISO4759-3-C	8008849
4	Cap 8 Ø27x11,5 mm	8005956
5	Screw, ISO8677-M8x35-8.8	8039279
6	1050 x 514 mm	
7	Screw, wood, DIN571-8x75-8.8	8008628

<b>HAGS</b>		ANEBY, SWEDEN +46(0)380-47300 www.hags.com	
<b>Tube Entrance</b>			
<b>MASW89630</b>			
<b>3 ( 3 )</b>			
	HB		AA
		2022-08-26	1