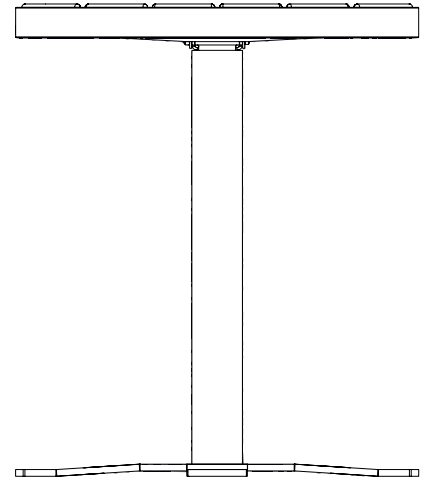






F



1	SW92014		1 x Ø600 x 66	11.24 kg
2	SW70551		1 x 662 x 470 x 470	10.11 kg
3	8008391		2 x Screw, ISO4014-M10x90-8.8	0.0664 kg
4	8008796		2 x Nut, Fujilok-M10-8-RingA2	0.011 kg

