

HAGS

ANEBY, SWEDEN
+46(0)380-47300
www.hags.com

Twisted ramp

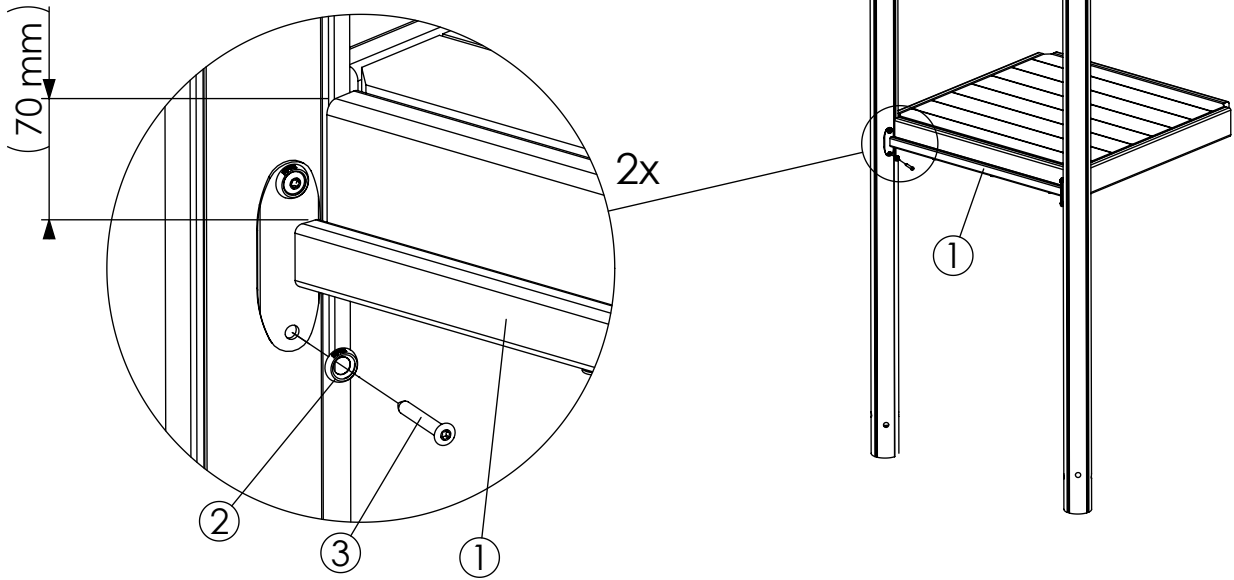
MA424U70010

1 (5)

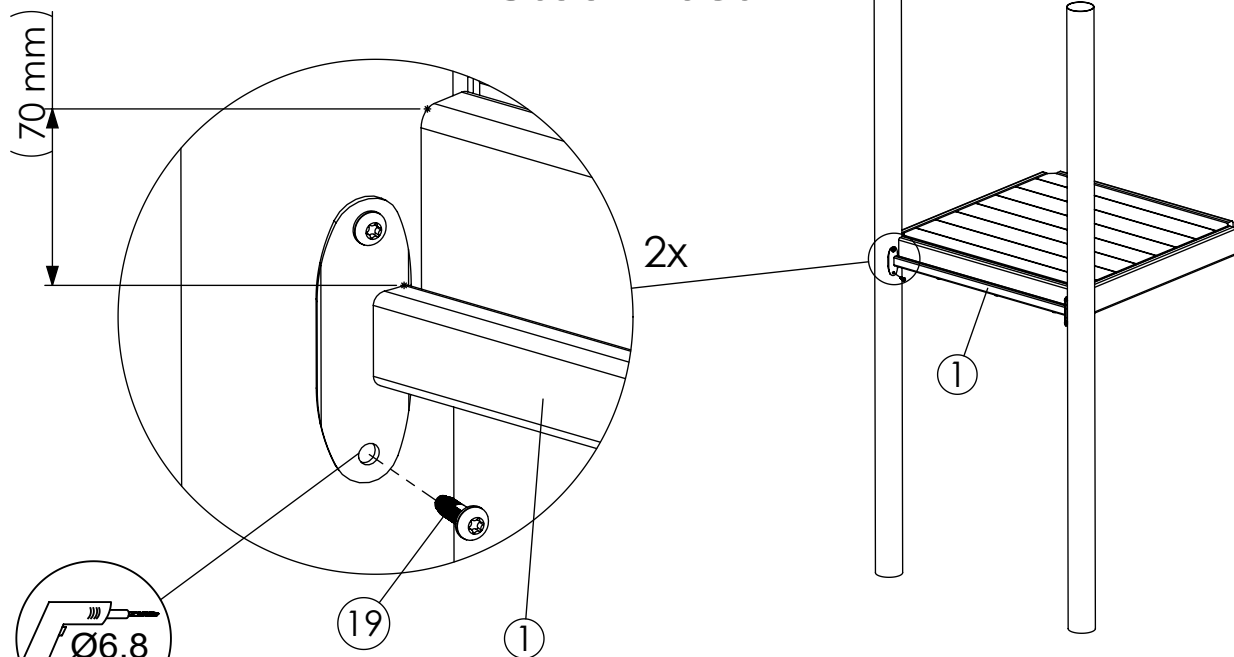
MTA TJ 2008-09-25 0

1

Wood Post



Steel Post

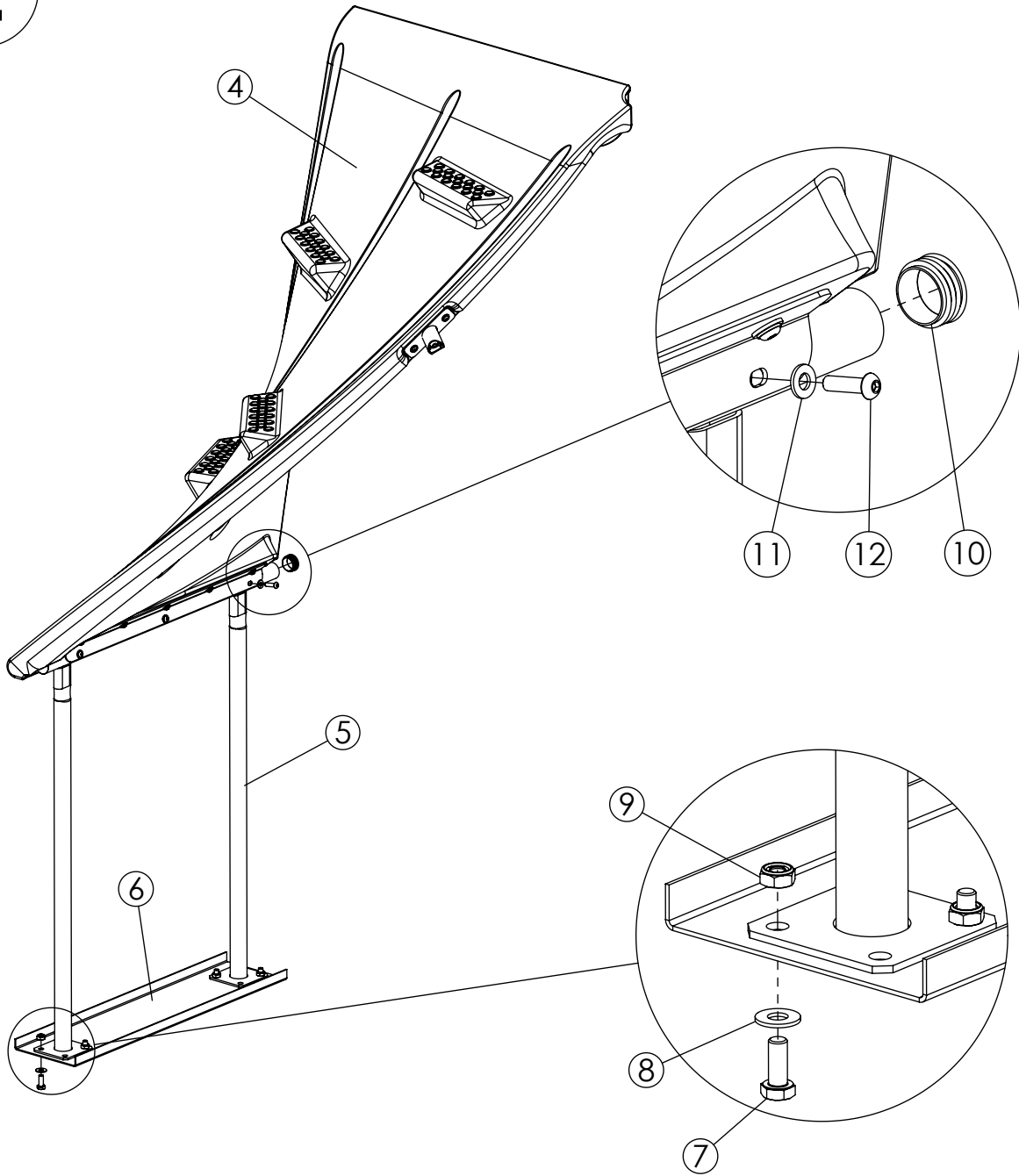


Max 400 rpm

NR.	Description MA	Item Number	Qty
1	40x20x891 mm	32-06979	1
2	Ø21.4 x Ø11 x 4,7 mm	8035288	4
3	Screw, wood, TKFT-8x60-8.8	8008646	4
19	Screw, thr-forming M8x25-8.8-(ISO7380)	8008506	4

HAGS		ANEBY, SWEDEN +46(0)380-47300 www.hags.com	
Twisted ramp			
MA424U70010			
2 (5)			
	MTA		TJ 2008-09-25 0

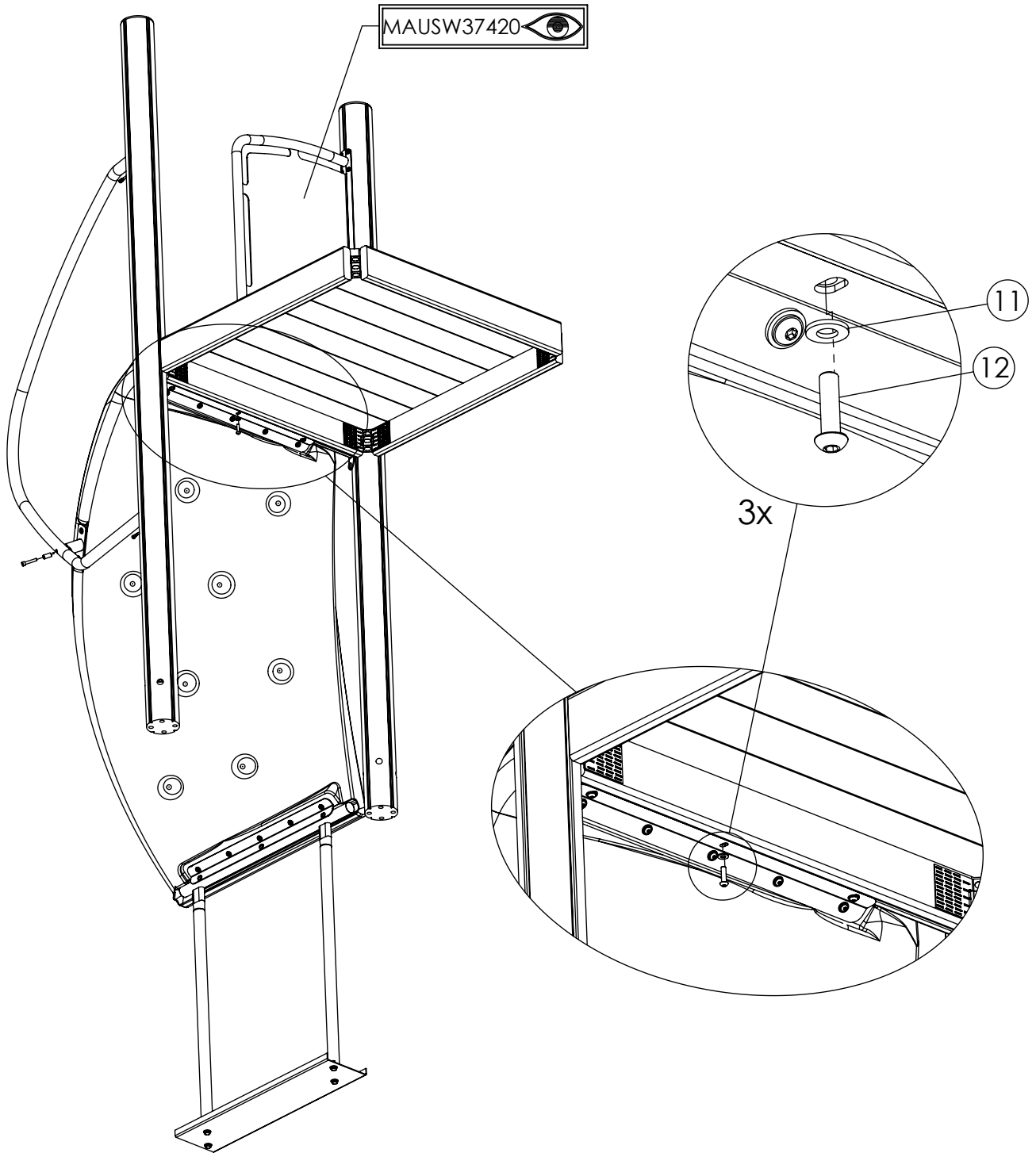
2



NR.	Description MA	Item Number	Qty
4	1385x873x60 mm	32-07080	1
5	810 x 950 mm	8048404	1
6	740x180x25	8063009	1
7	Screw, ISO4017-M10x25-8.8	8008371	4
8	Washer, Bolt cap 11x24x2-ISO4759-3-C	8008850	4
9	Nut, Fujilok-M10-8-RingA2	8008796	4
10	End cap, outer Ø38, inner Ø32-36.	8005232	2
11	Washer, Bolt cap 9x18x2-ISO4759-3-C	8008849	6
12	Screw, ISO7380-1-M8x30-10.9	8008445	6

<h1>HAGS</h1> <p>Twisted ramp MA424U70010 3 (5)</p>	ANEBY, SWEDEN +46(0)380-47300 www.hags.com
	MTA TJ 2008-09-25 0

3



HAGS ANEBY, SWEDEN
+46(0)380-47300
www.hags.com

Twisted ramp
MA424U70010
4 (5)

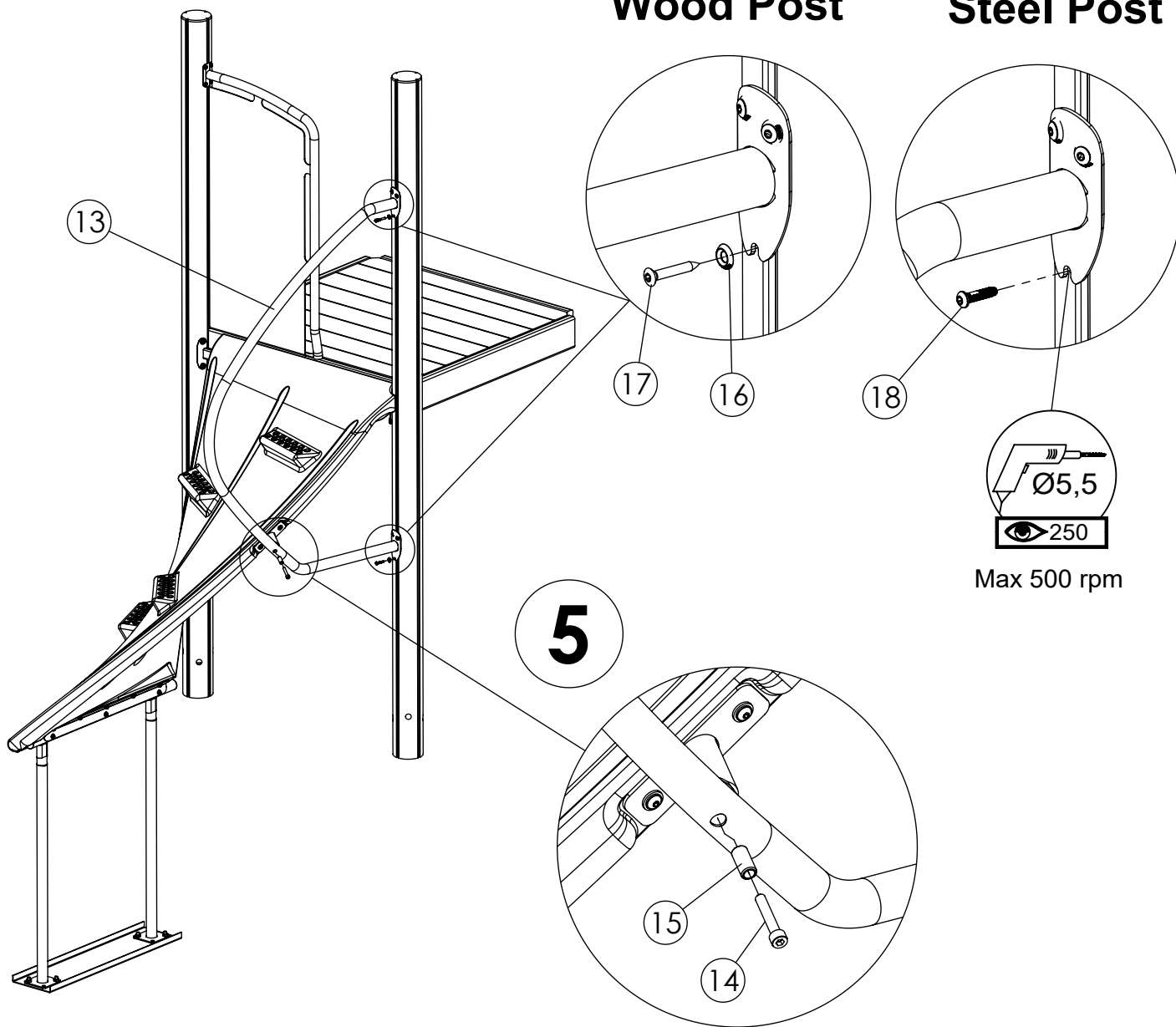
MTA TJ 2008-09-25 0

NR.	Description MA	Item Number	Qty
11	Washer, Bolt cap 9x18x2-ISO4759-3-C	8008849	3
12	Screw, ISO7380-1-M8x30-10.9	8008445	3

4

Wood Post

Steel Post



5

NR.	Description MA	Item Number	Qty
13	Ø38, 1151x1440 mm	32-07080 (41070012)	1
14	Screw, ISO4762-M8x45-8.8	8008476	1
15	Ø13x27x2 mm	43-04267 (260485)	1
16	Ø6 16/7 x 3 mm	8035290	6
17	Screw, wood, TKFT-6x40-8.8	8008651	6
18	Screw, thr-forming M6x25-8.8-(ISO7380)	8027762	6

<h1>HAGS</h1>	ANEBY, SWEDEN +46(0)380-47300 www.hags.com
	<p>Twisted ramp MA424U70010 5 (5)</p>
MTA TJ	2008-09-25 0