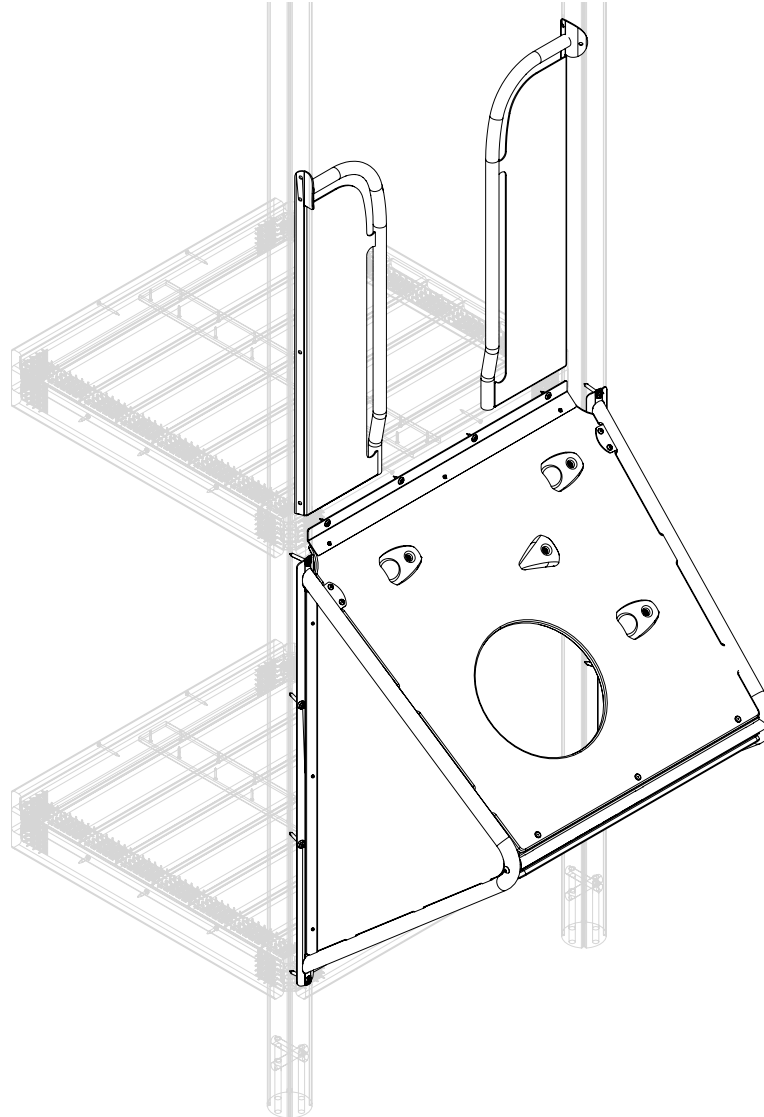









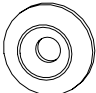
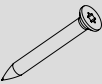
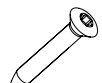




HAGS[®]

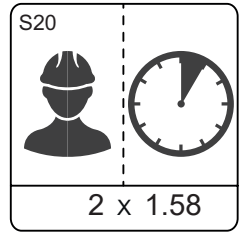
UniPlay Cuby Left Hole

MA426U77211

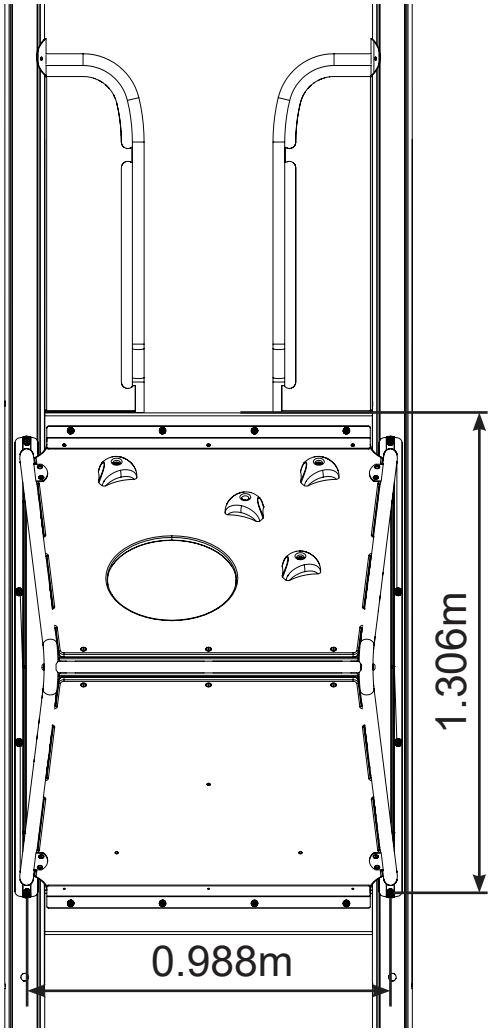


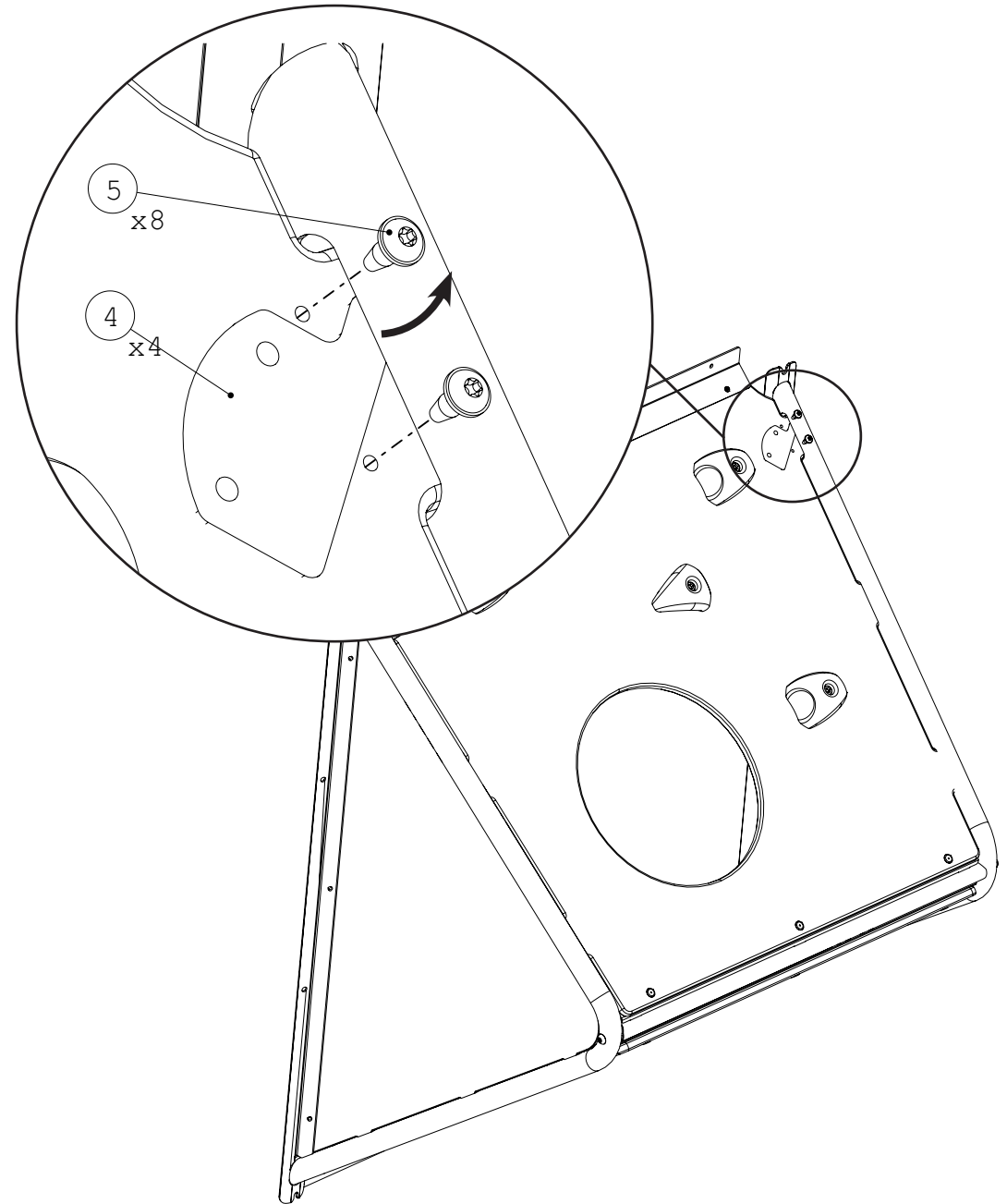
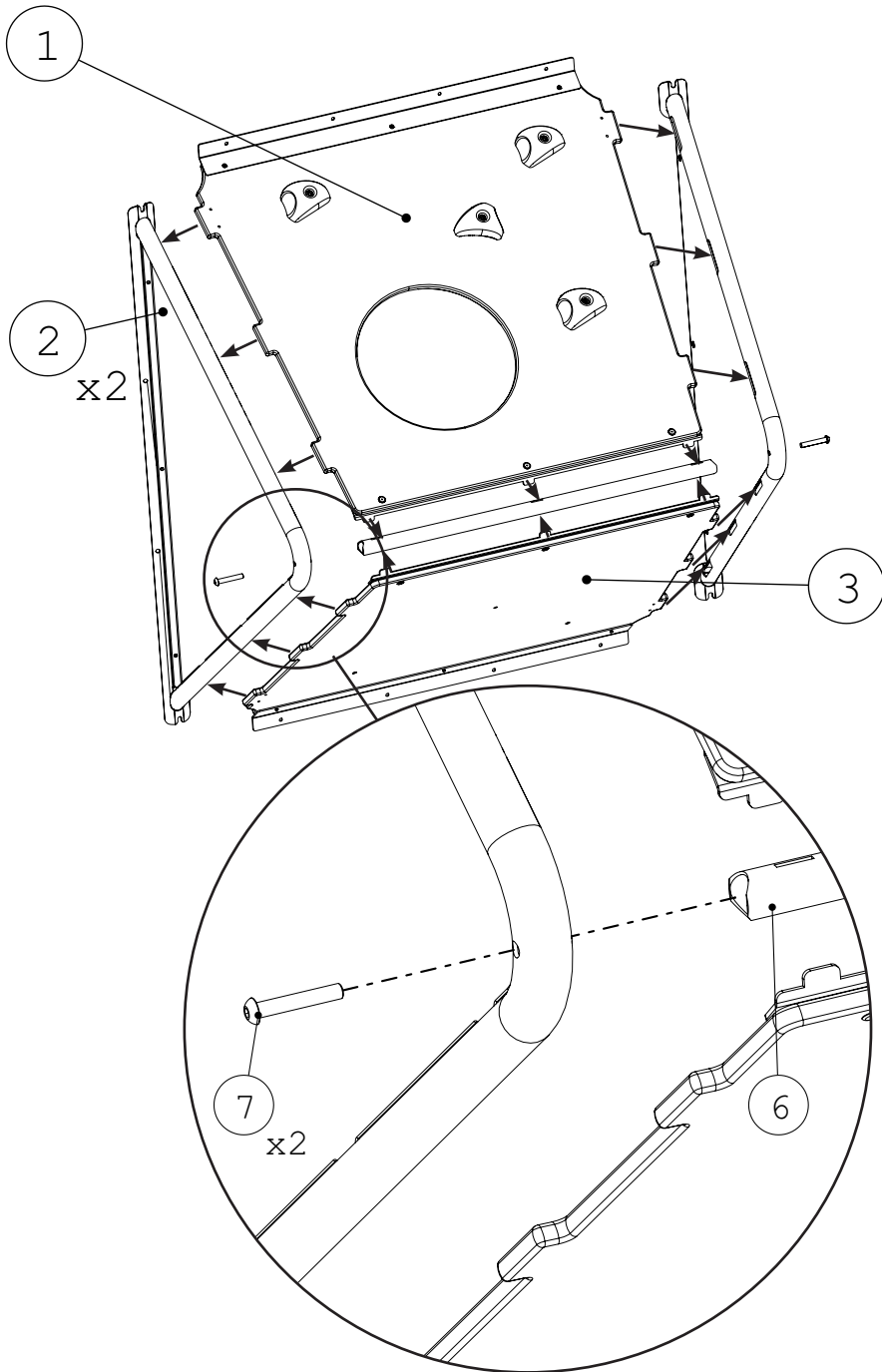
1	SW26677		1x 980x940mm	7.92kg
2	32-05477		2x 1250x662mm	7.15kg
3	SW26676		1x 980x940 mm	6.80kg
4	43-07150		4x 90x53 mm	0.1kg
5	8008687		8x Screw, thr-form PT-7x16-WN1451-St	0.0074kg
6	42-07153		1x Ø32x830	1.23kg
7	8008455		2x Screw, ISO7380-1-M10x60-10.9	0.043kg
8	41099512		1x 1000x260 mm	6.98kg
9	31-07186		1x 1000x260 mm	6.99kg
10	8005569		8x Ø5,3x18x3,8	0.00kg
11	8008658		8x Screw, wood, TFT-5x30-8.8	0.00kg
12	8008646		8x Screw, wood, TKFT-8x60-8.8	0.02kg

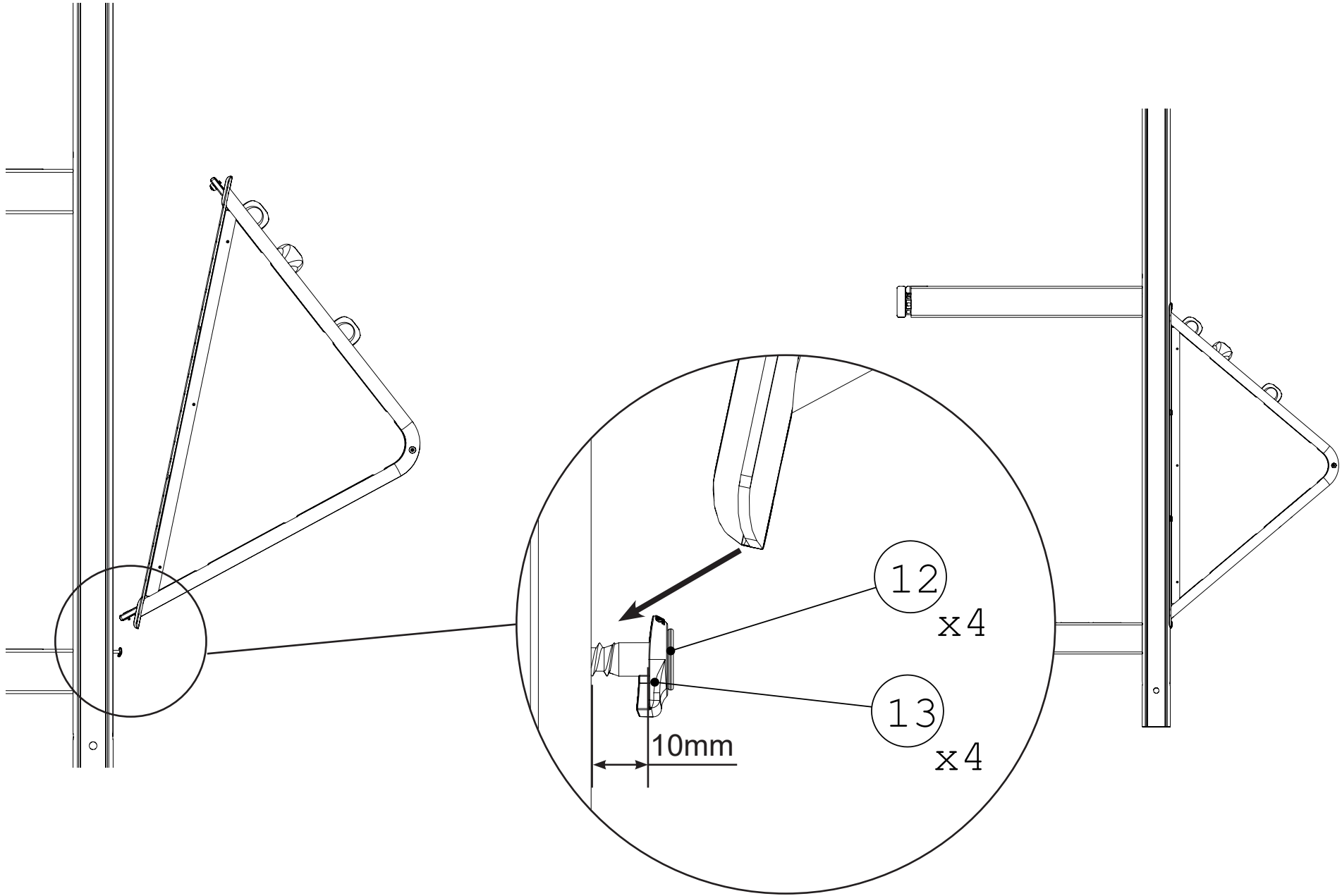
13	8035289		4x 23x20 mm Ø11	0.00kg
14	43-07119		4x Ø8 18/15 x 4,5 mm	0.00kg



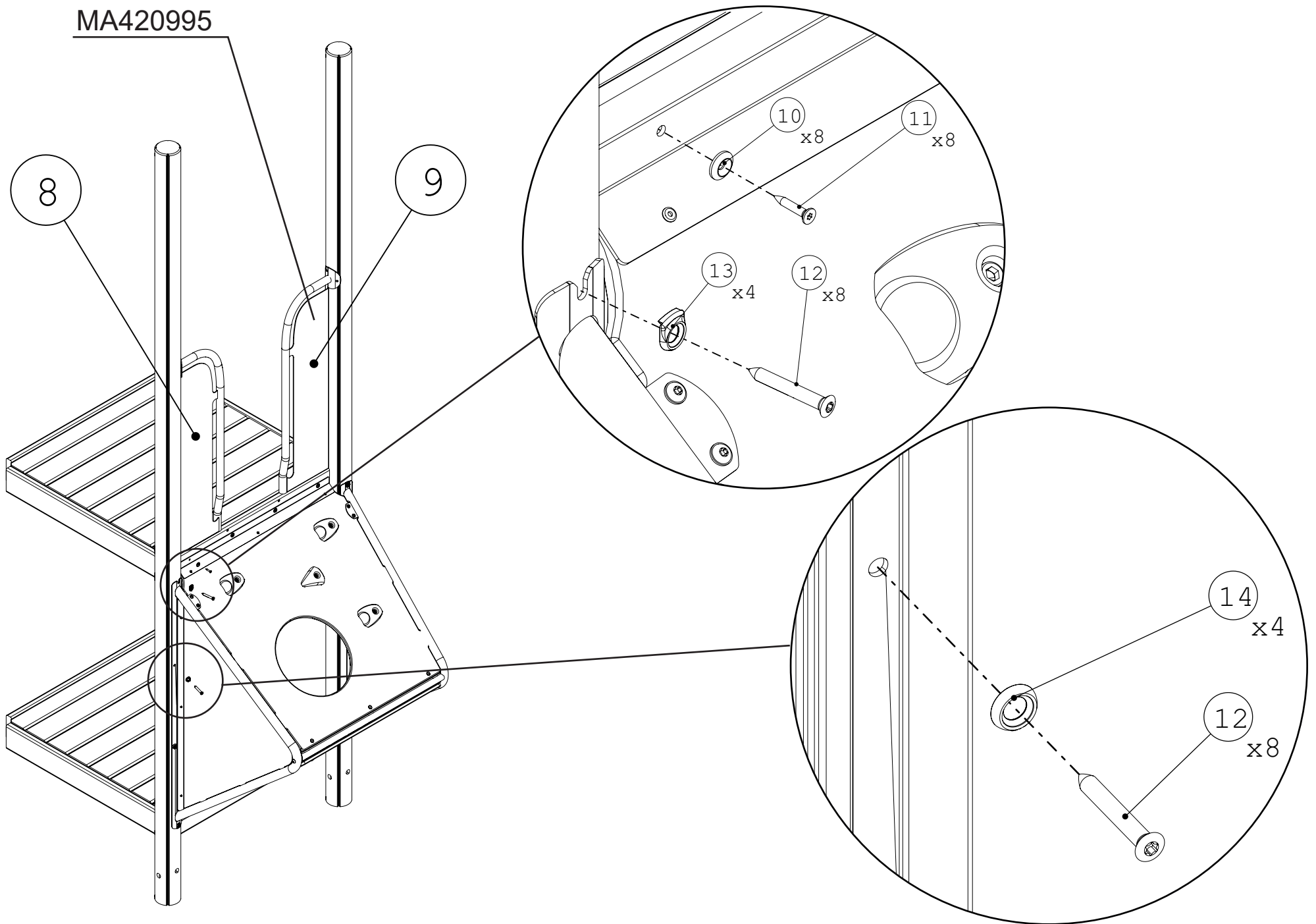
WOODEN POST (& WOODEN FLOOR)












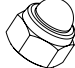





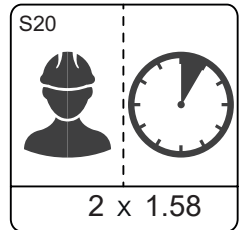


MA420995

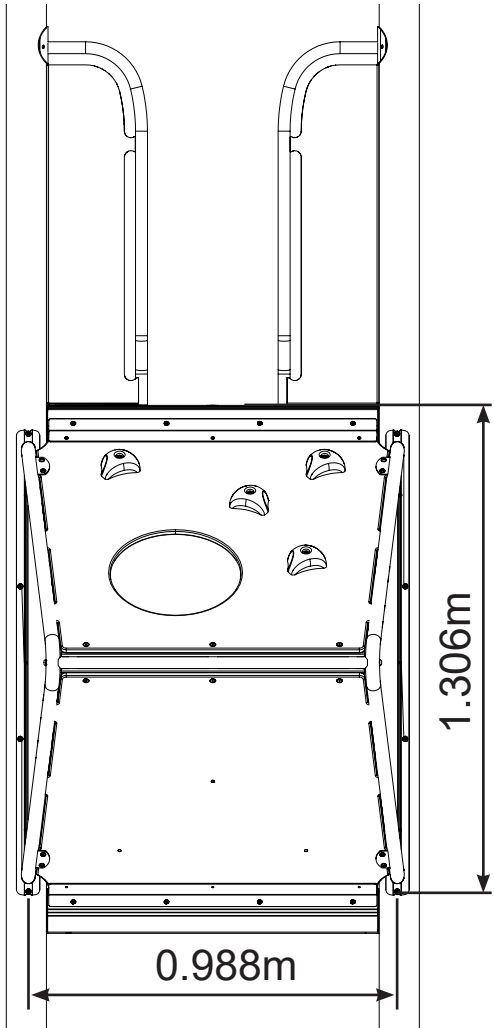


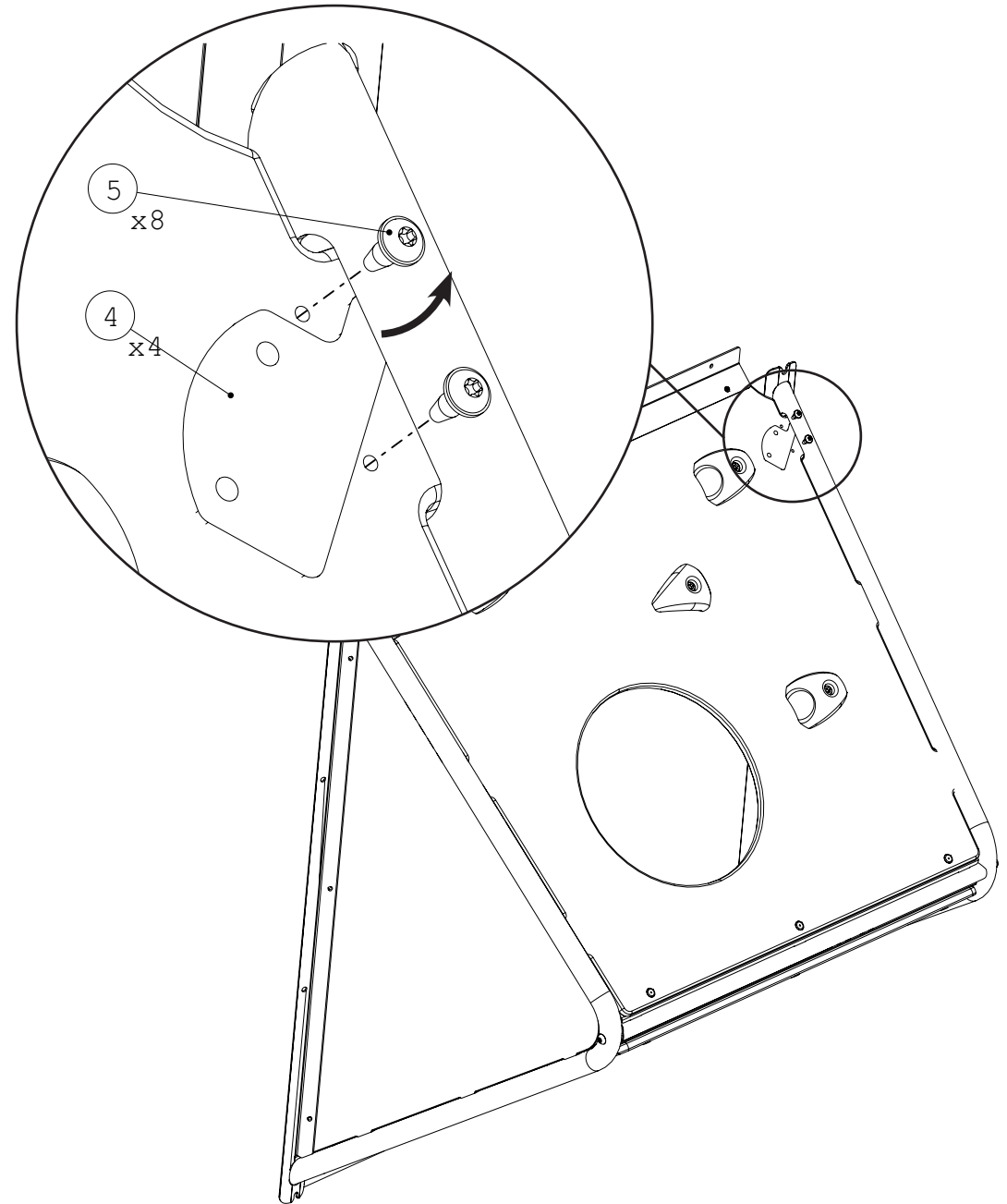
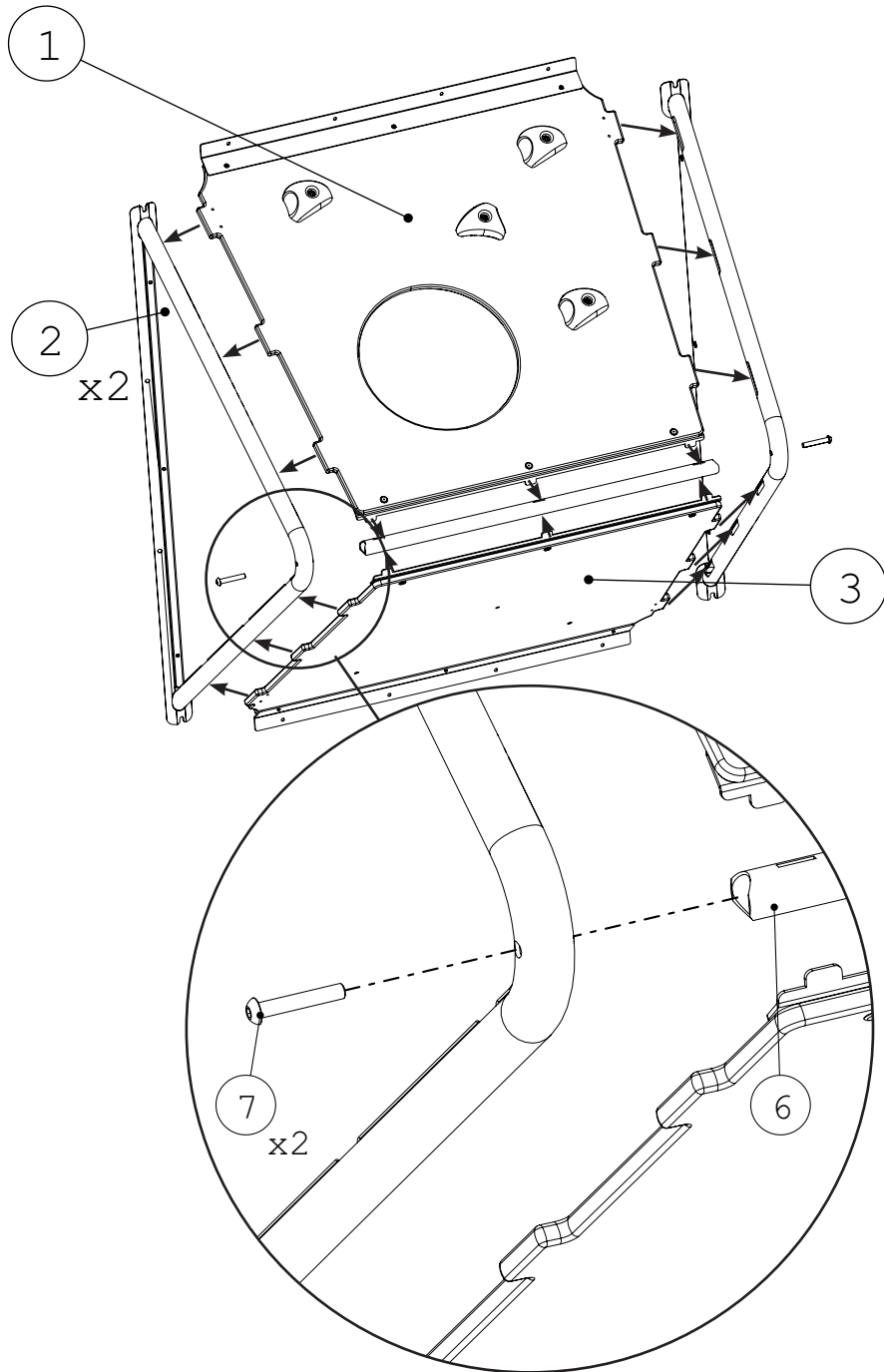
1	SW26677		1x 980x940mm	7.92kg
2	32-05477		2x 1250x662mm	7.15kg
3	SW26676		1x 980x940 mm	6.80kg
4	43-07150		4x 90x53 mm	0.1kg
5	8008687		8x Screw, thr-form PT-7x16-WN1451-St	0.0074kg
6	42-07153		1x Ø32x830	1.23kg
7	8008455		2x Screw, ISO7380-1-M10x60-10.9	0.043kg
8	41099512		1x 1000x260 mm	6.98kg
9	31-07186		1x 1000x260 mm	6.99kg
10	8008444		8x Screw, ISO7380-1-M6x15-10.9	0.005kg
11	8008845		8x Washer ISO7089-6.4x12x1.6	0.001kg
12	8008752		8x Nut, DIN986-M6-8	0.004kg

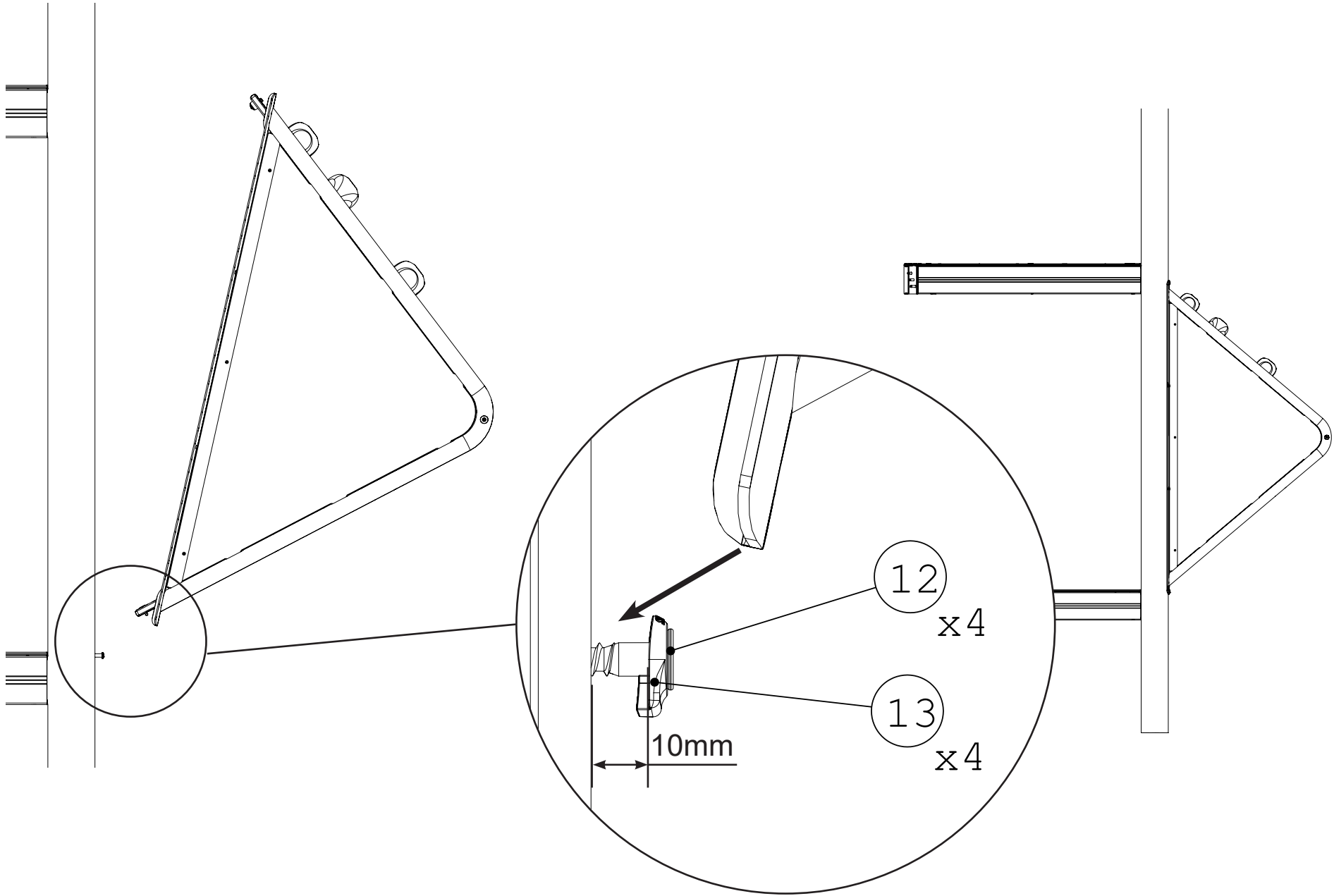
13	8008506		8x Screw, thr-forming M8x25-8.8-(I-SO7380)	0.013kg
----	---------	--	--	---------



STEEL POST (& STEEL FLOOR)







MA420995

