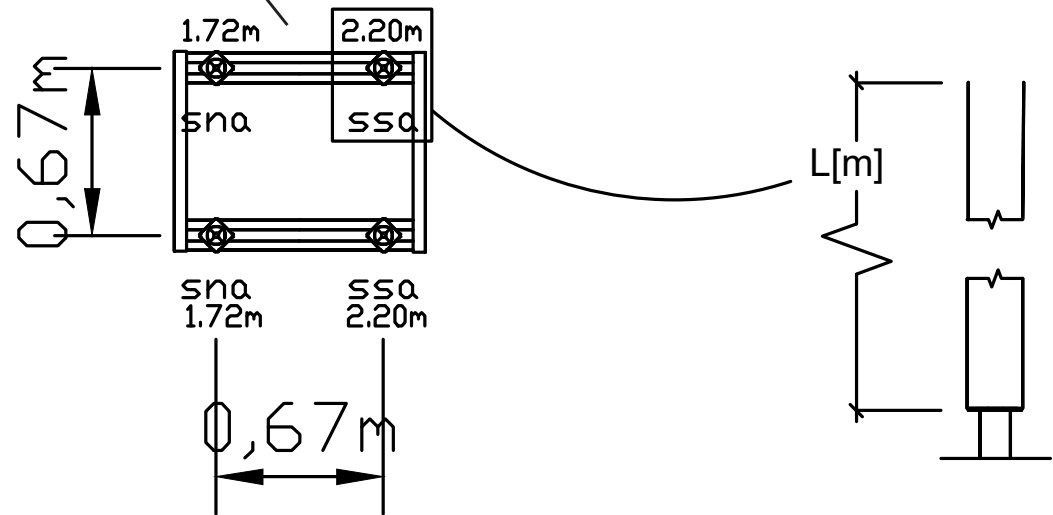
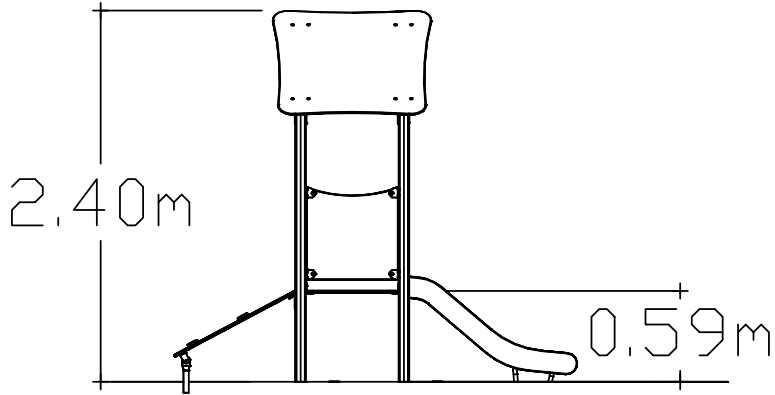
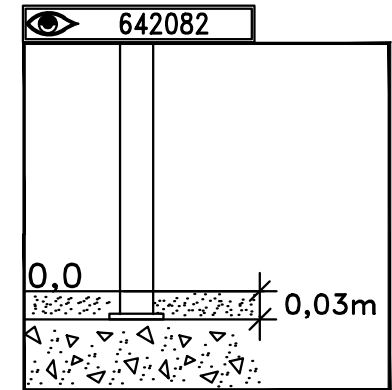
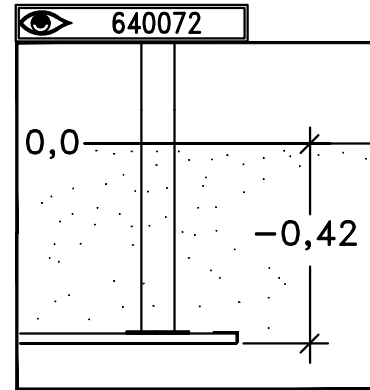
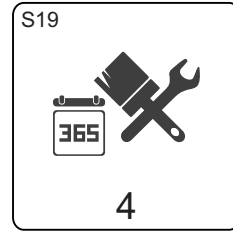
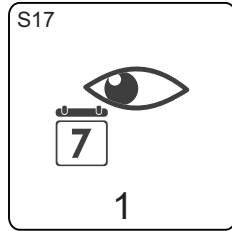
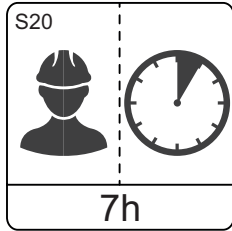
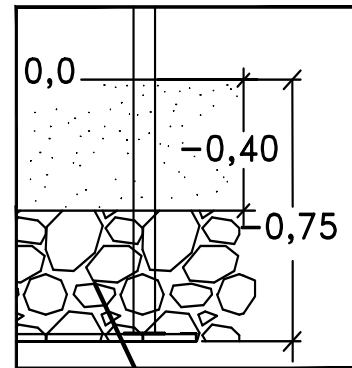
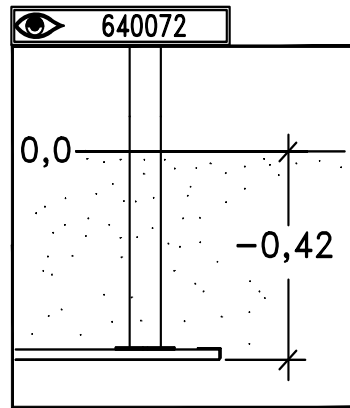


- 👁 610076
- 👁 610072-03
- 👁 6084 01

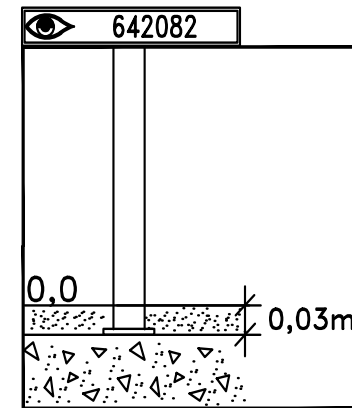




260329
6101
6340
90339
612110
ST621301
640072 - SF
642082 - OM
640072



Compacted Soil



SF
Sunken Foundation

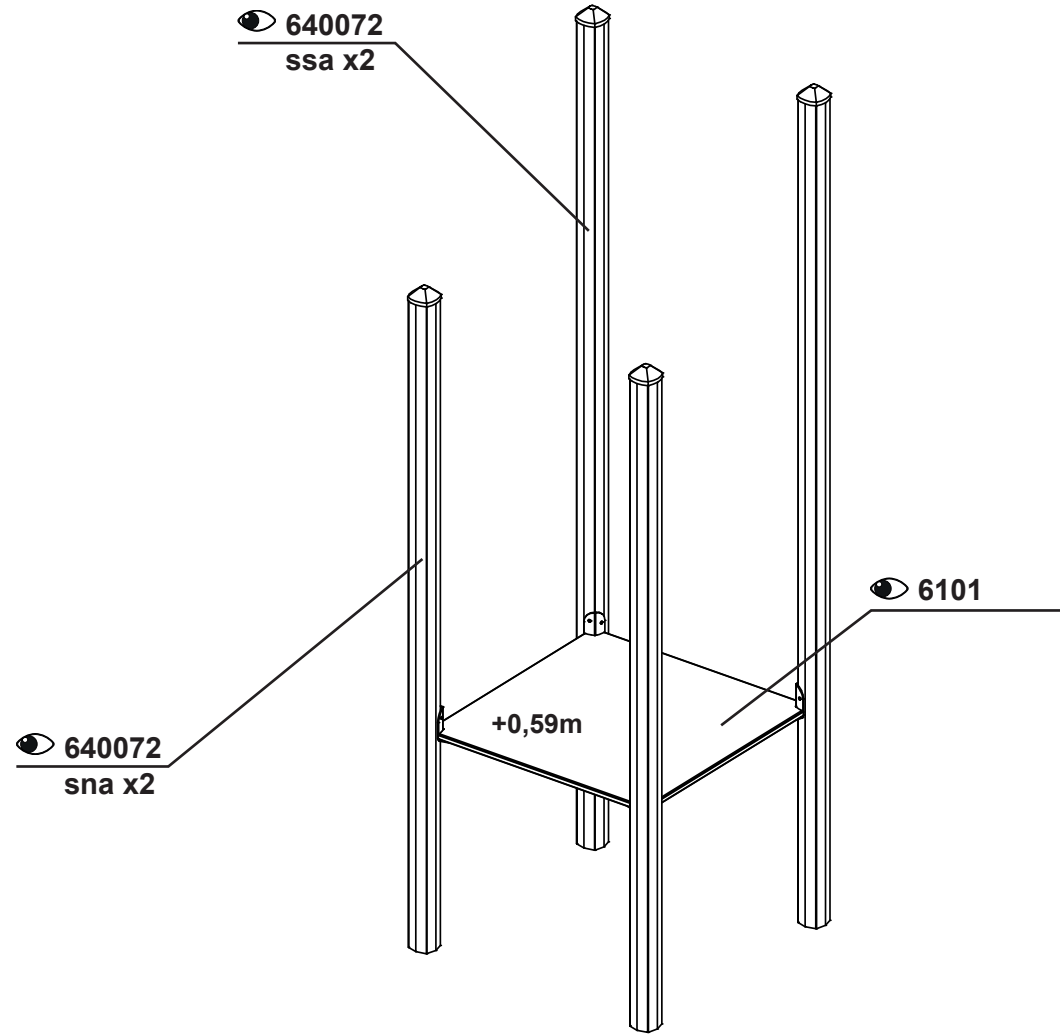
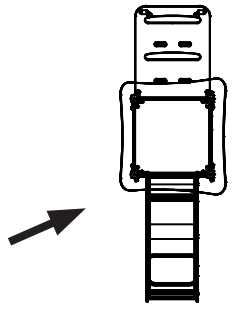
8105443
 8105451
 80 _____
 80 _____

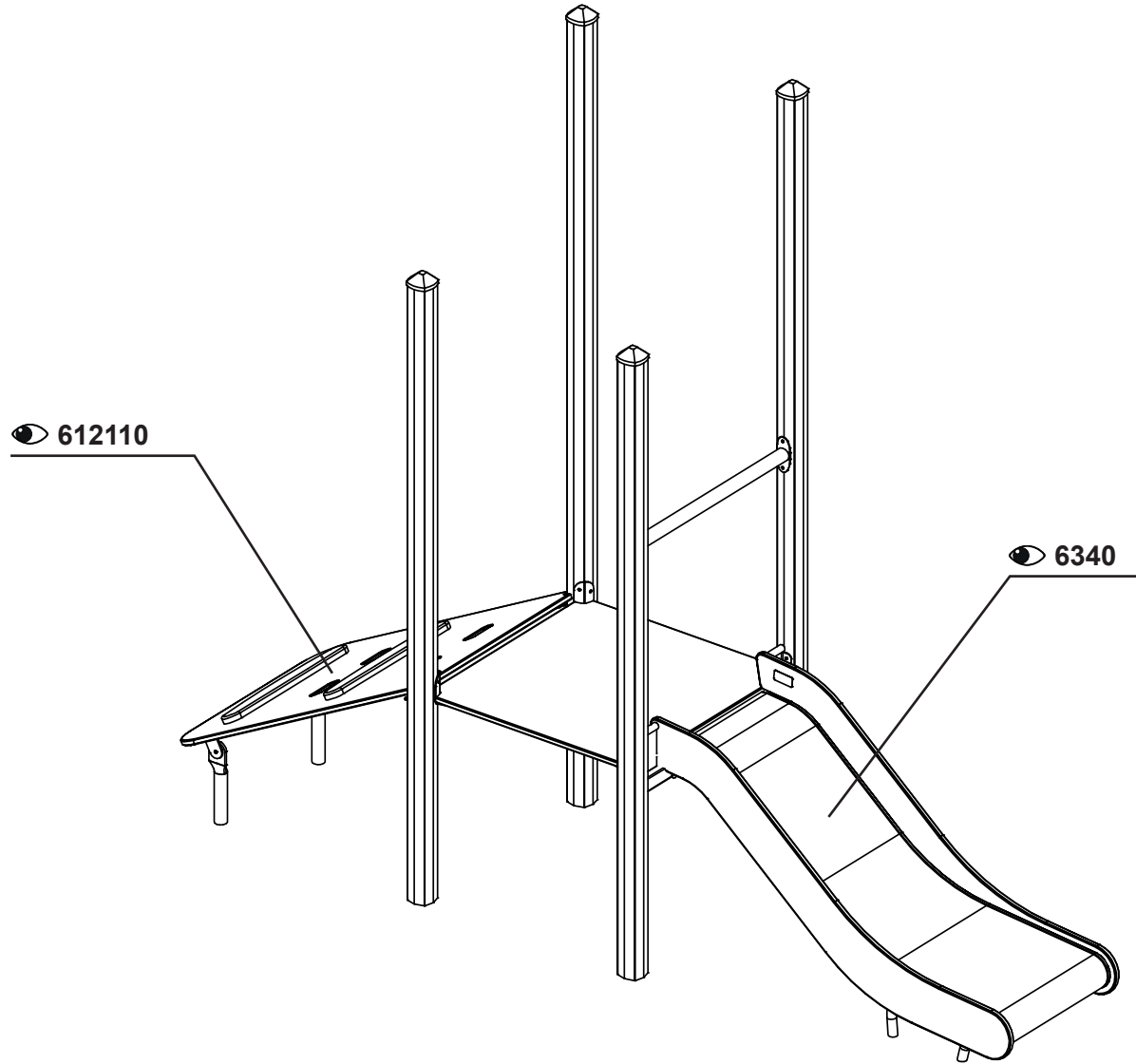
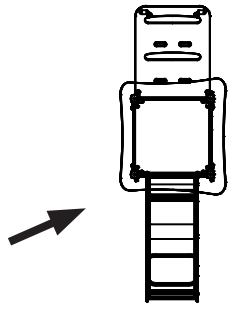
BM
Loosefill

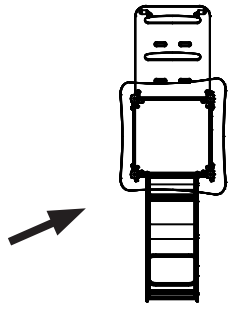
80 _____
 80 _____
 80 _____
 80 _____

OM
Above Ground

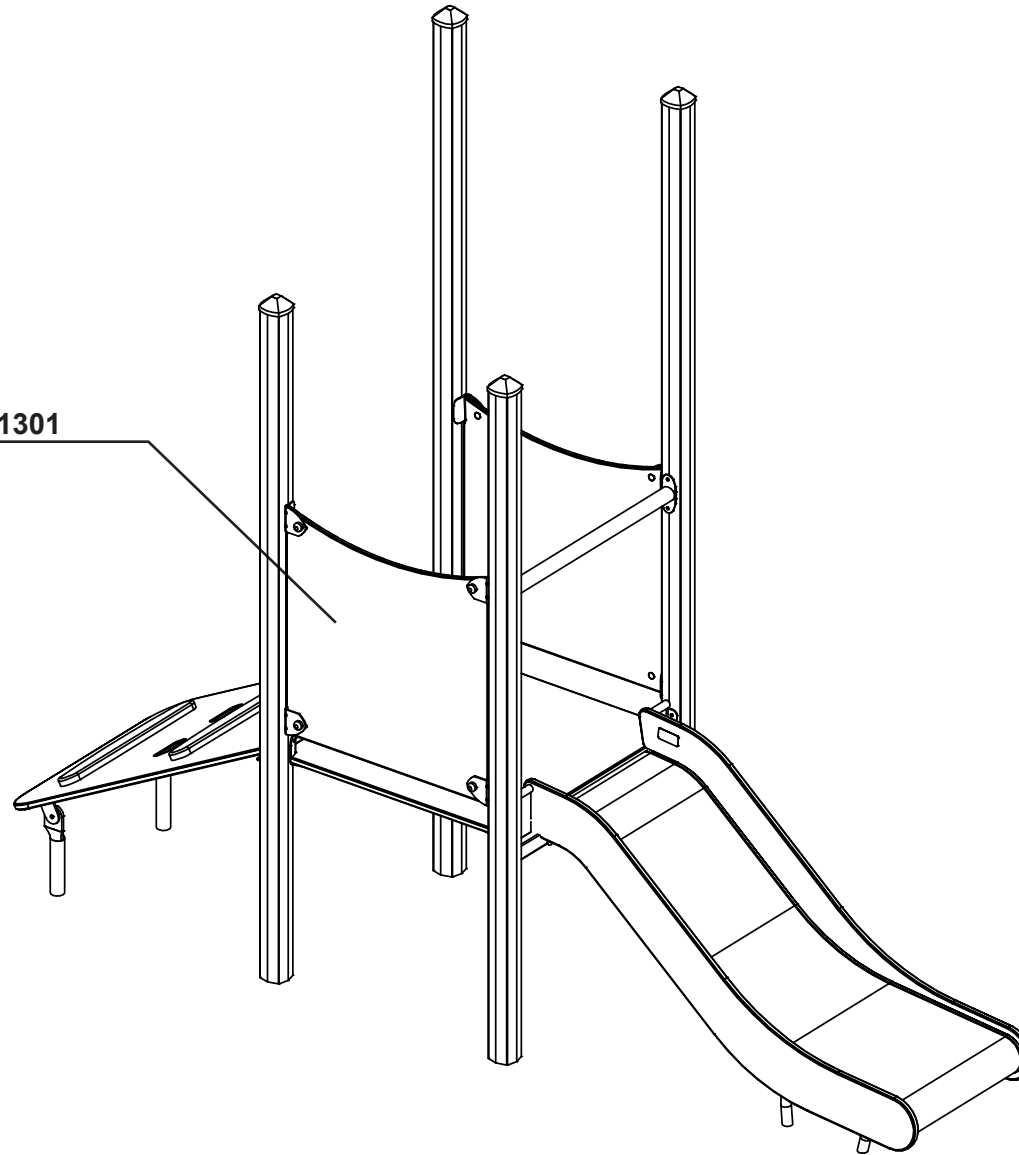
8105441
 80 _____
 80 _____
 80 _____

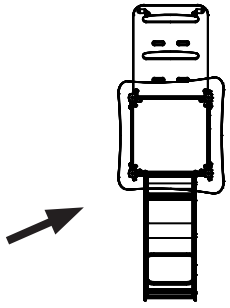




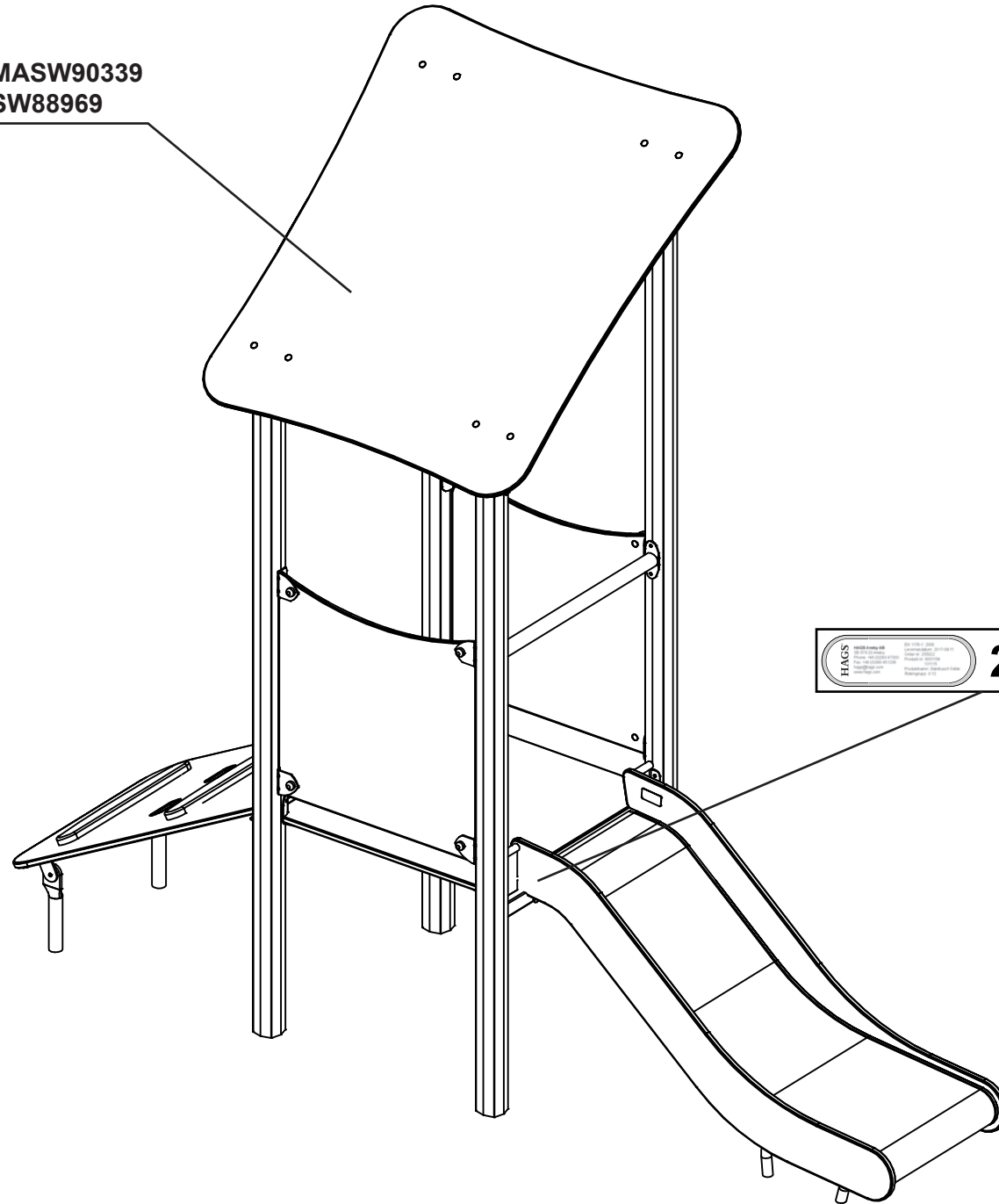


ST621301
x2





- MASW90339
- SW88969



HAGS
260329