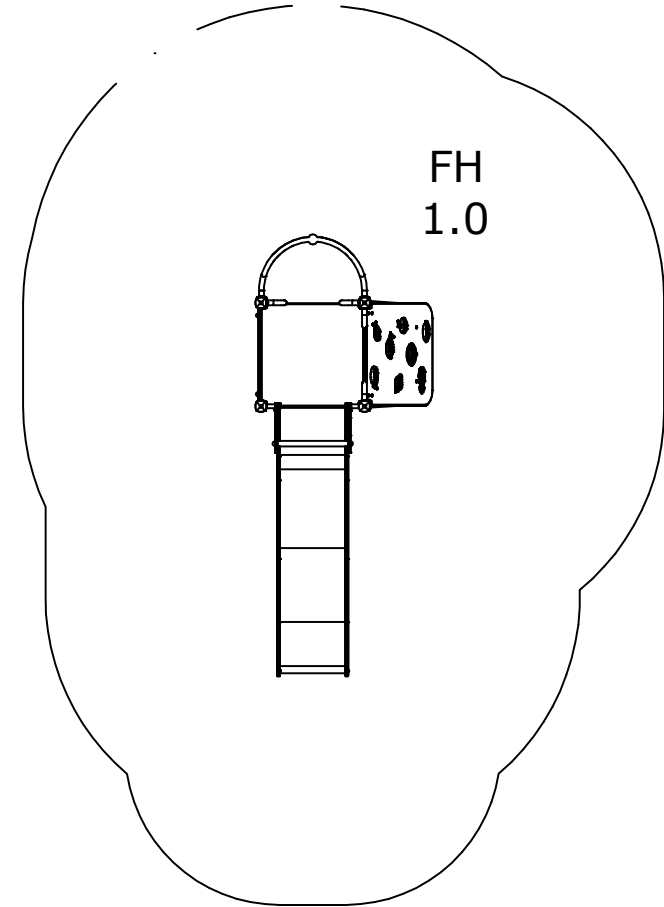
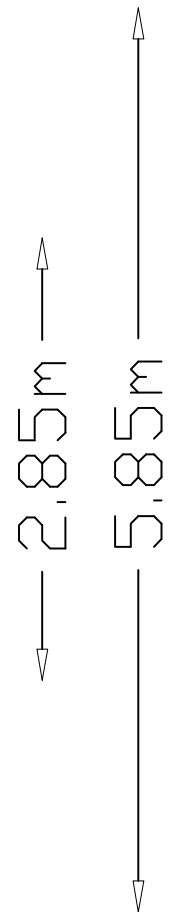
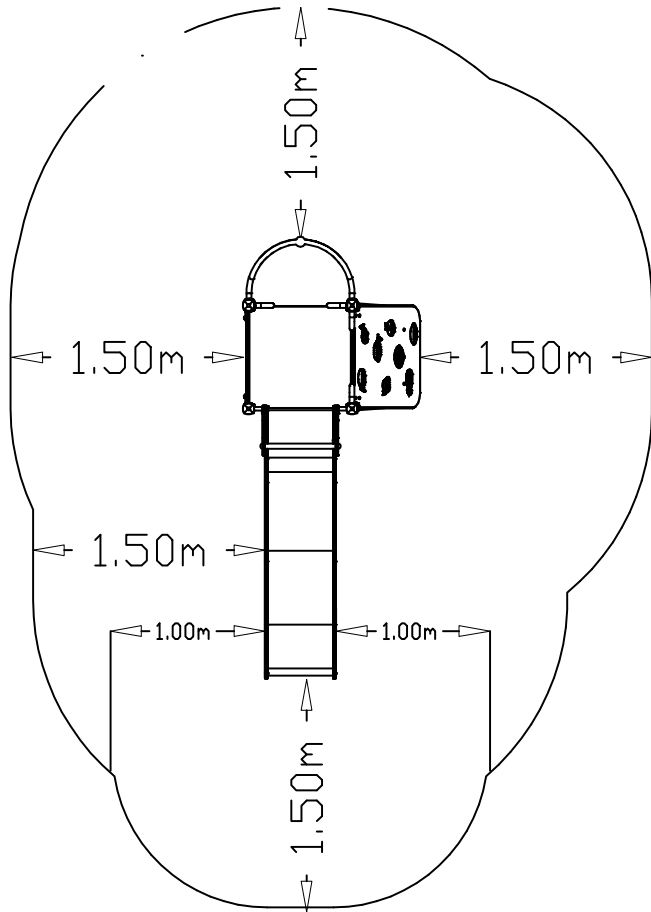
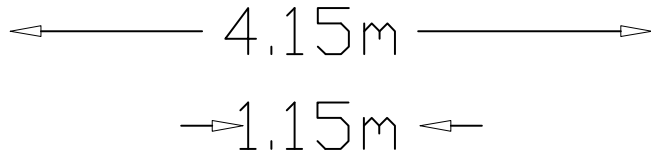
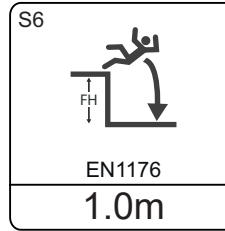
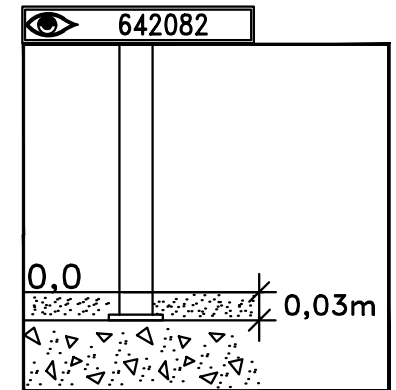
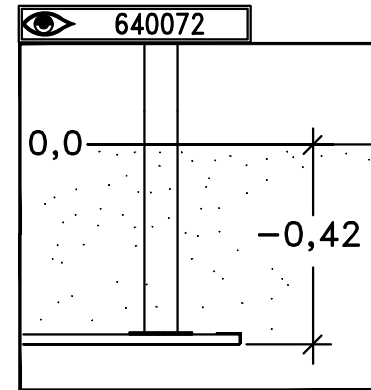
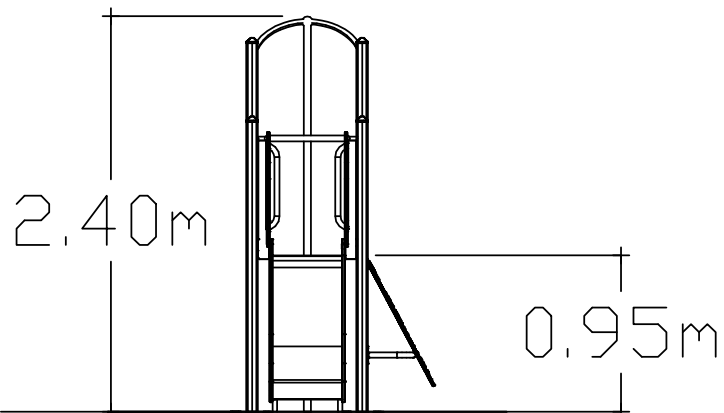
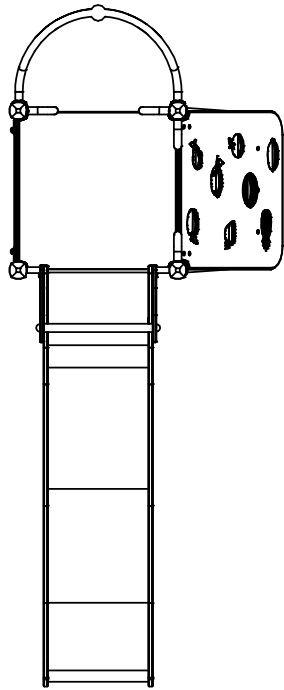
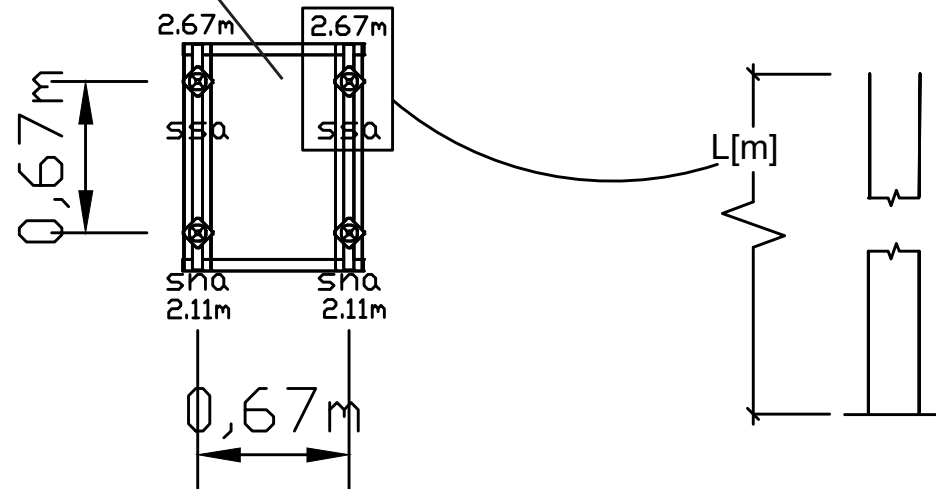


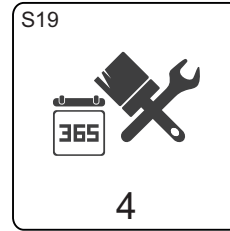
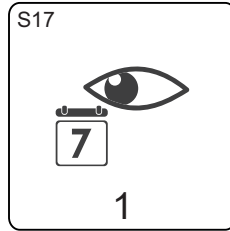
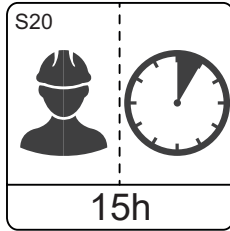
EN 1176



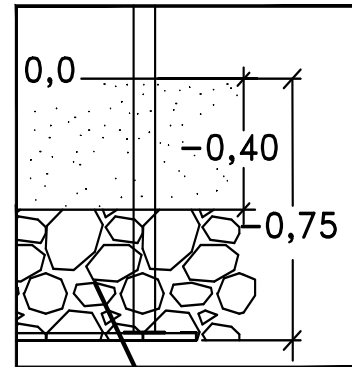
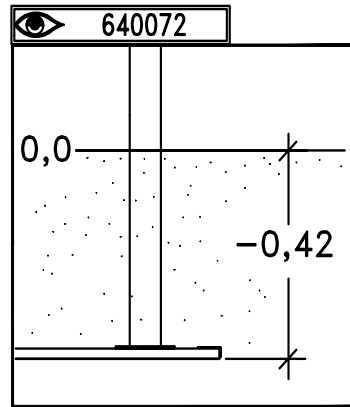


- 👁 610076
- 👁 610072-03
- 👁 6084 01

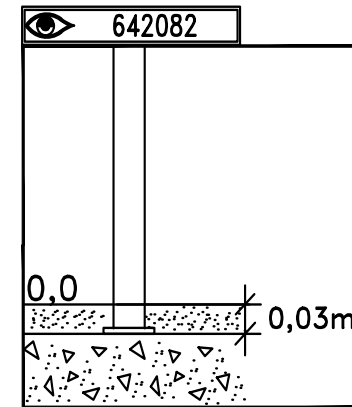




6101
78431
260329
608401
621301
65077021
6084 01
640072 - SF
642082 - OM



Compacted Soil



SF
Sunken Foundation

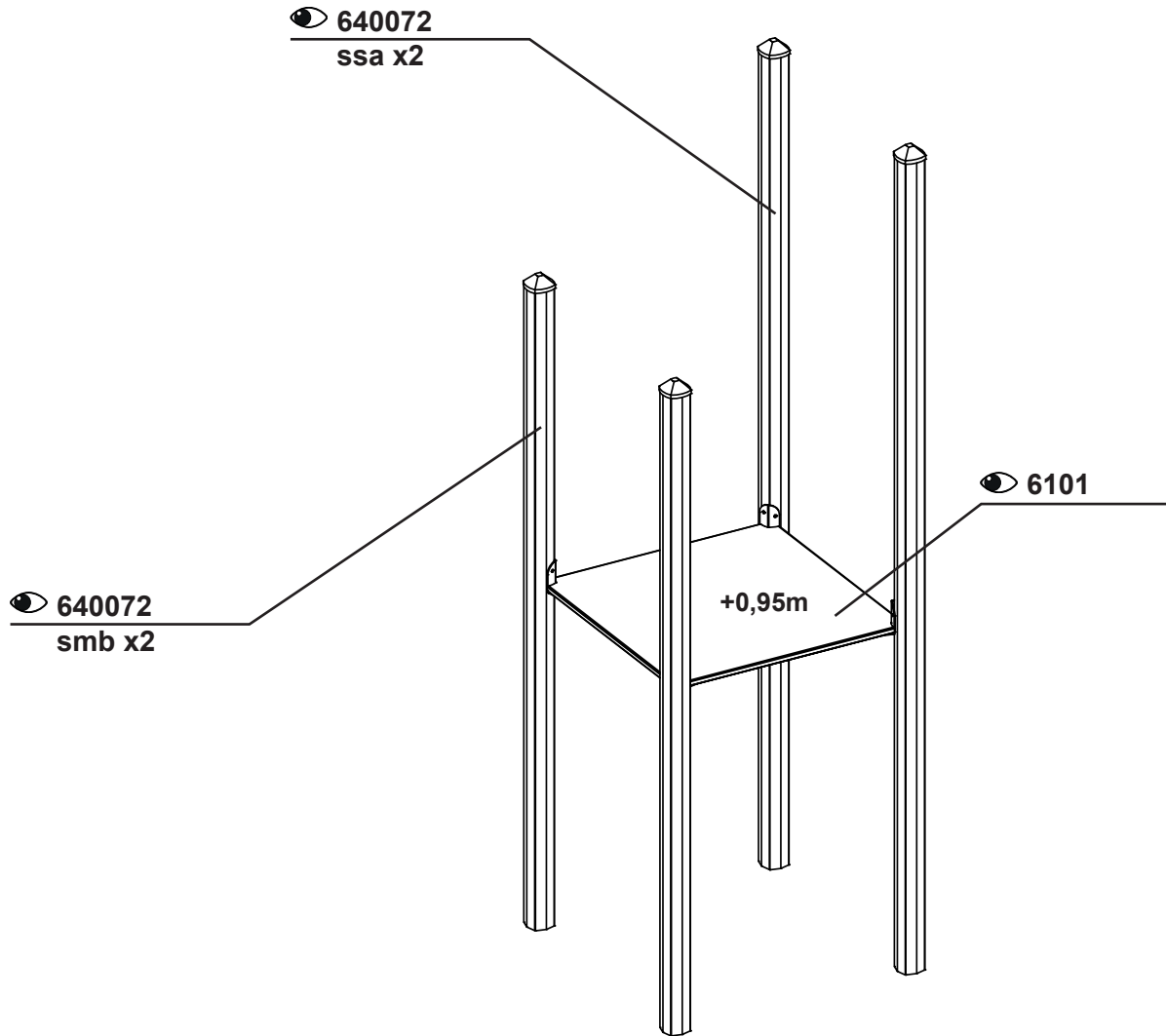
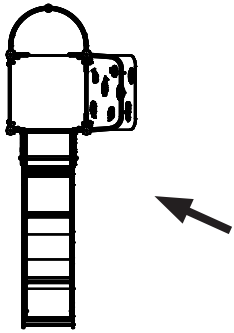
8077955
 8105479
 80 _____
 80 _____

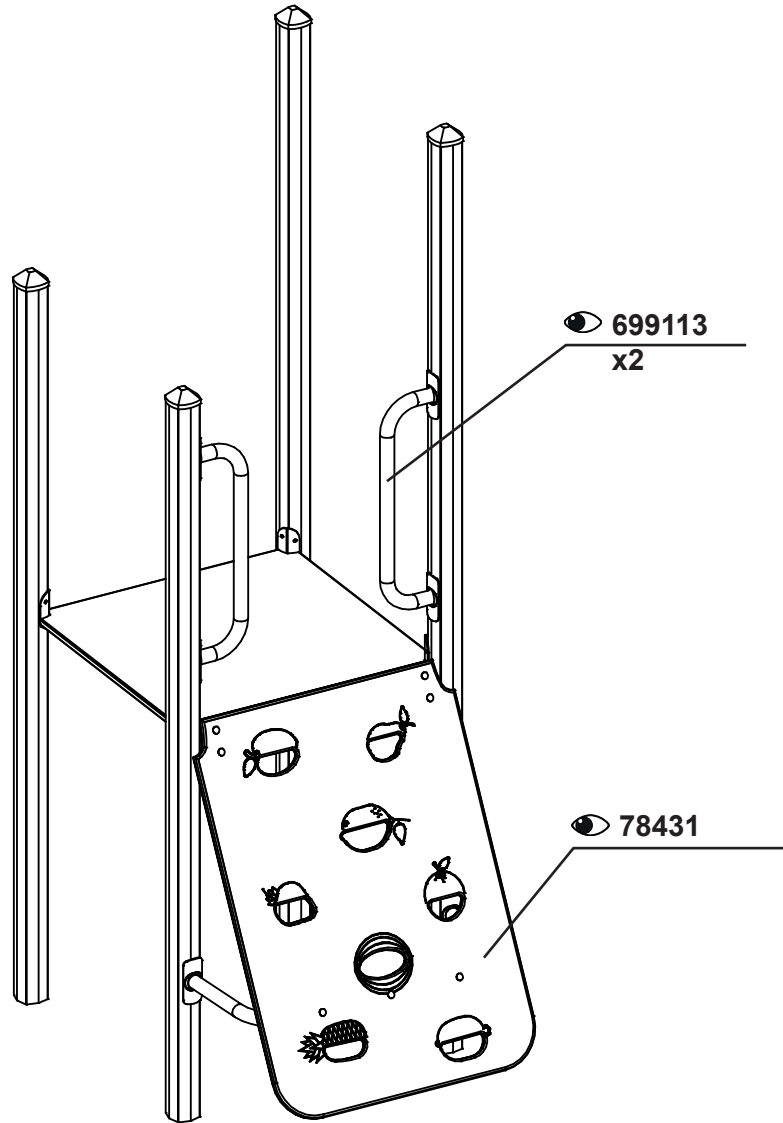
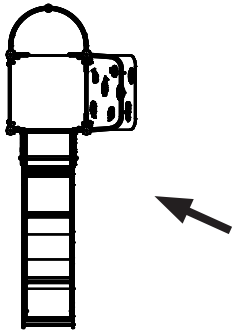
BM
Loosefill

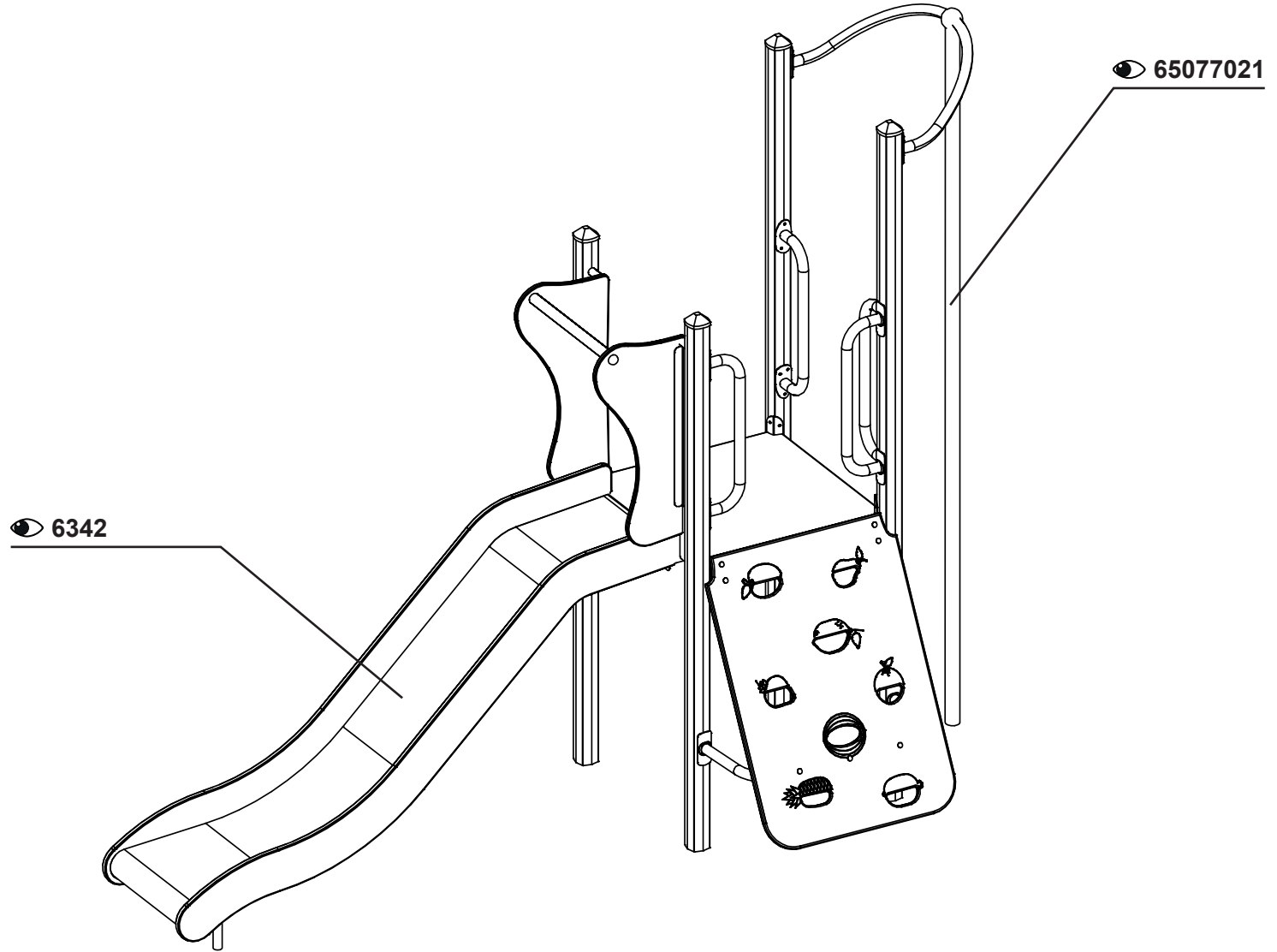
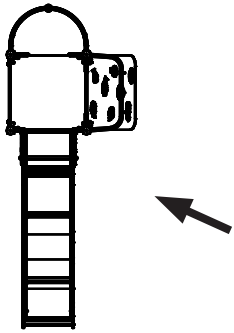
80 _____
 80 _____
 80 _____
 80 _____

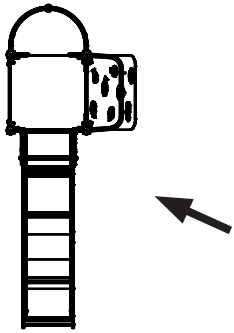
OM
Above Ground

8105477
 80 _____
 80 _____
 80 _____









621301

HAGS
260329

