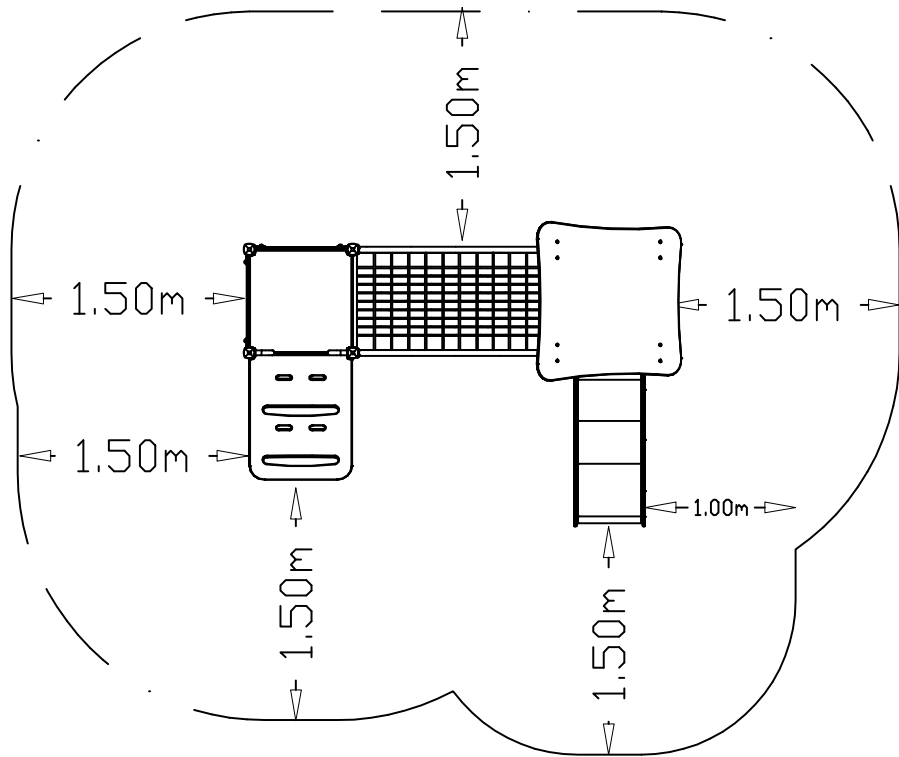
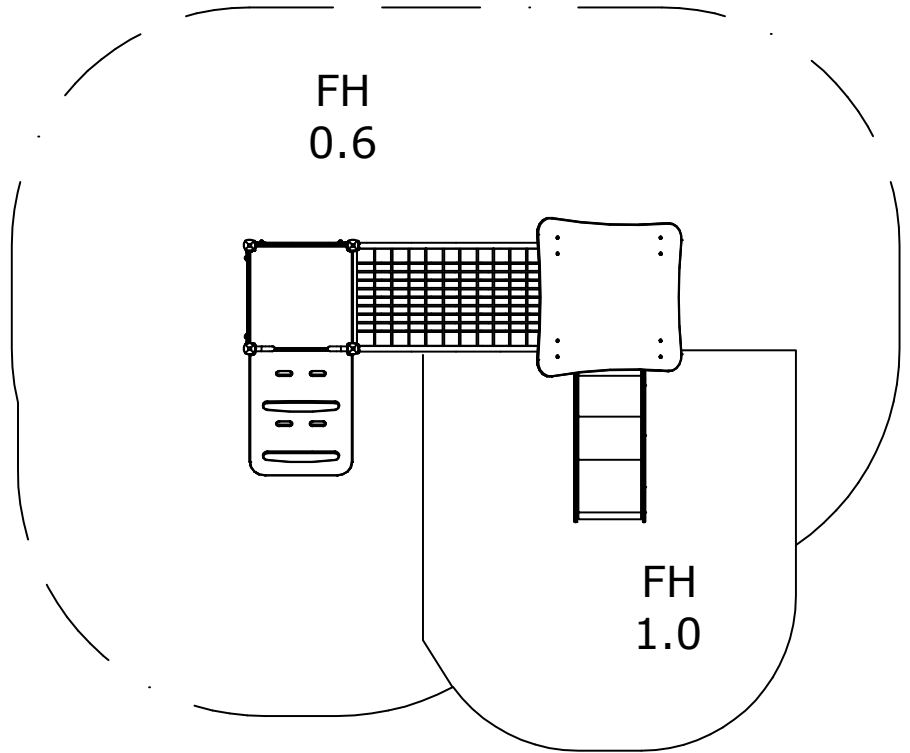


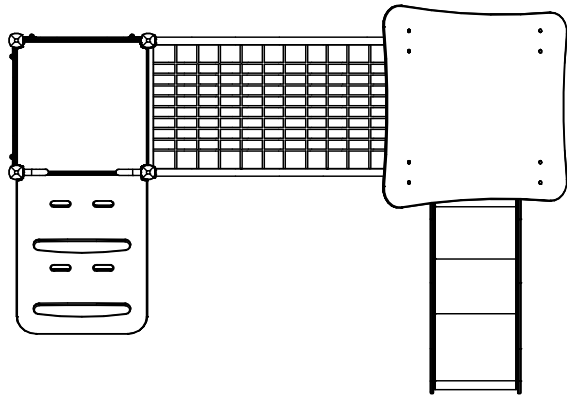
5.75m

2.90m

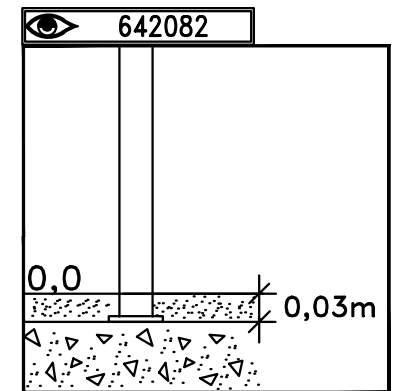
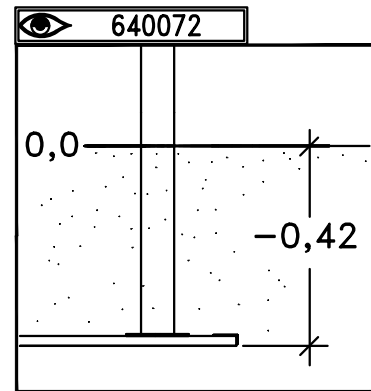
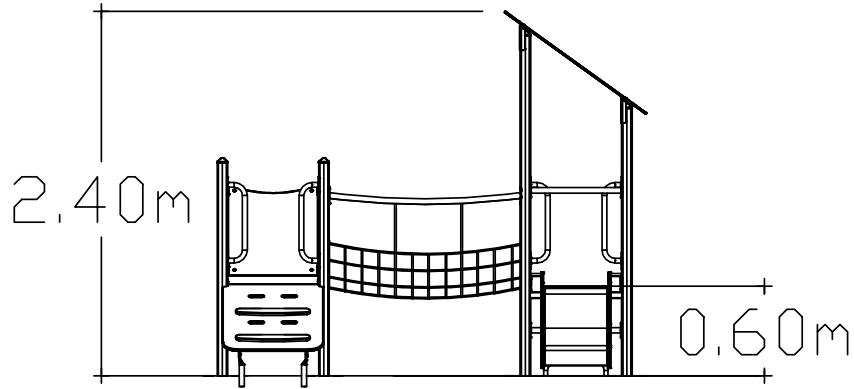
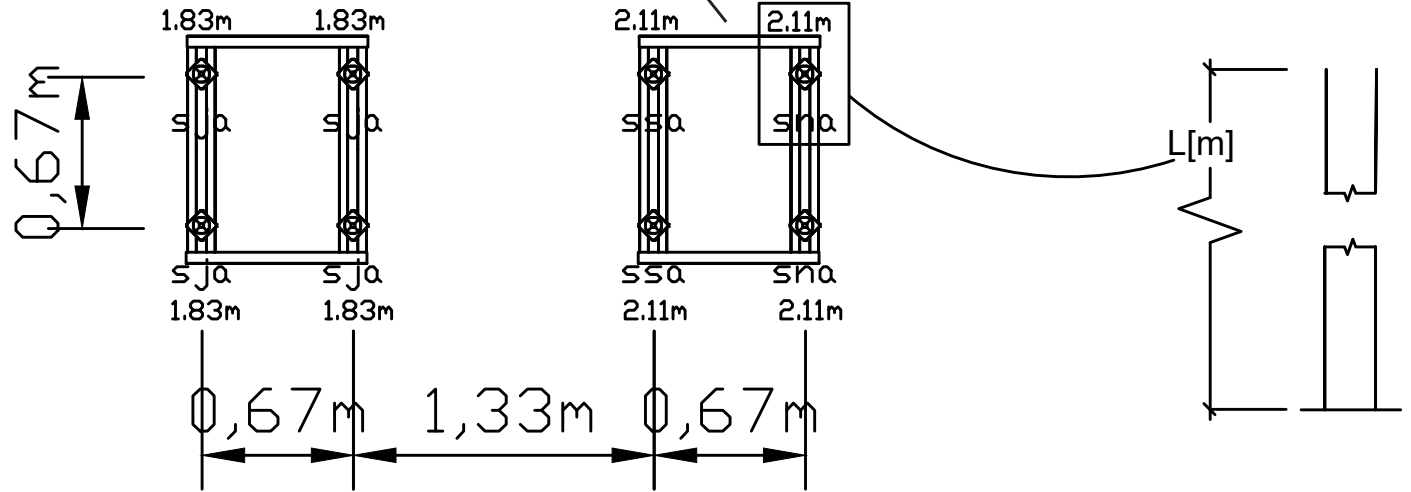


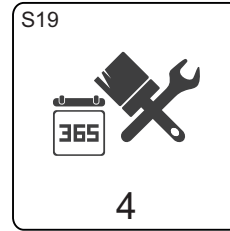
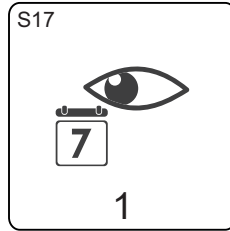
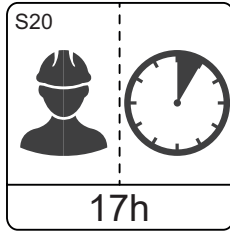
1.95m
4.80m



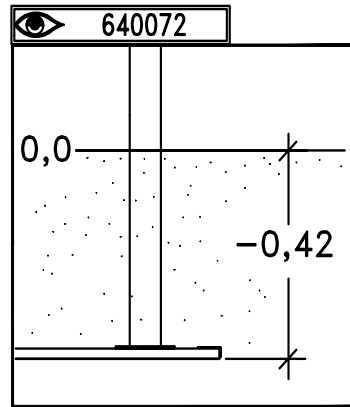


- 👁 610076
- 👁 610072-03
- 👁 6084 01



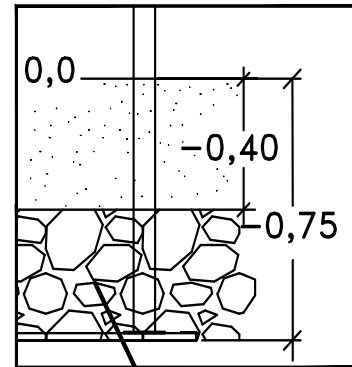


610076
260329
671113
6084 01
610072-03
640072 [SF]
642082 [OM]
MA612110_ST [SF]
MA612110_ST_OM [OM]
MASW90339
ST621301
ST6340
ST638113
ST699113
SW88969



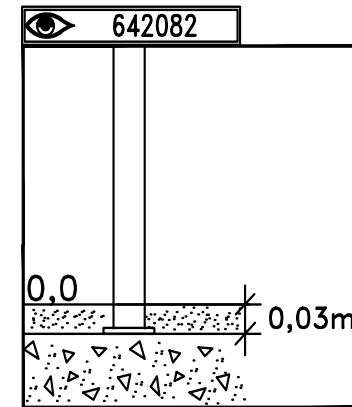
SF
Sunken Foundation

8077959
 8105633
 80 _____
 80 _____



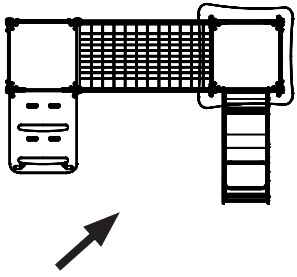
BM
Loosefill

80 _____
 80 _____
 80 _____
 80 _____

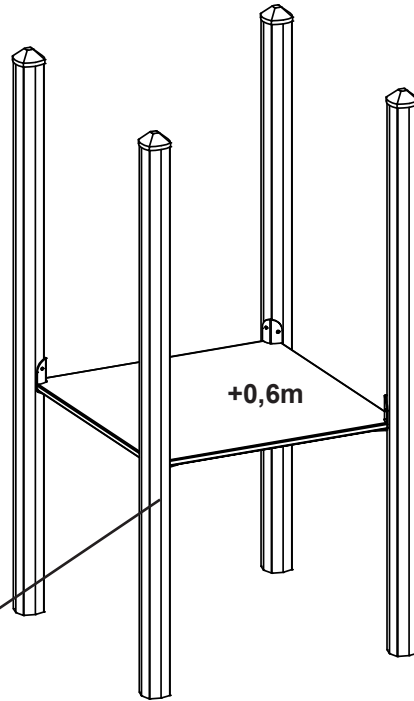


OM
Above Ground

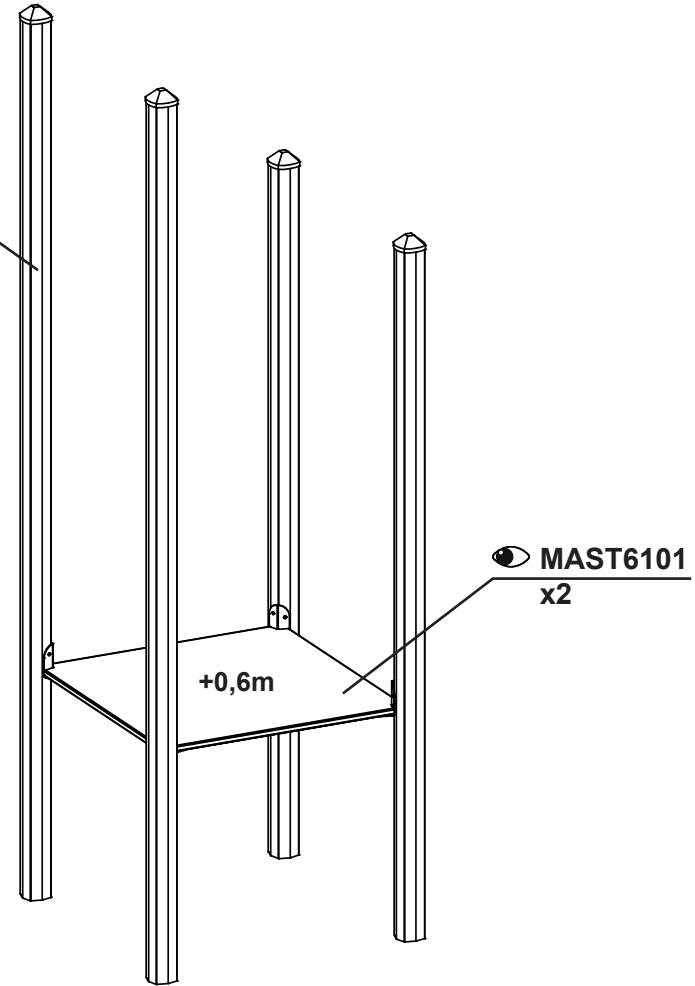
8105619
 80 _____
 80 _____
 80 _____

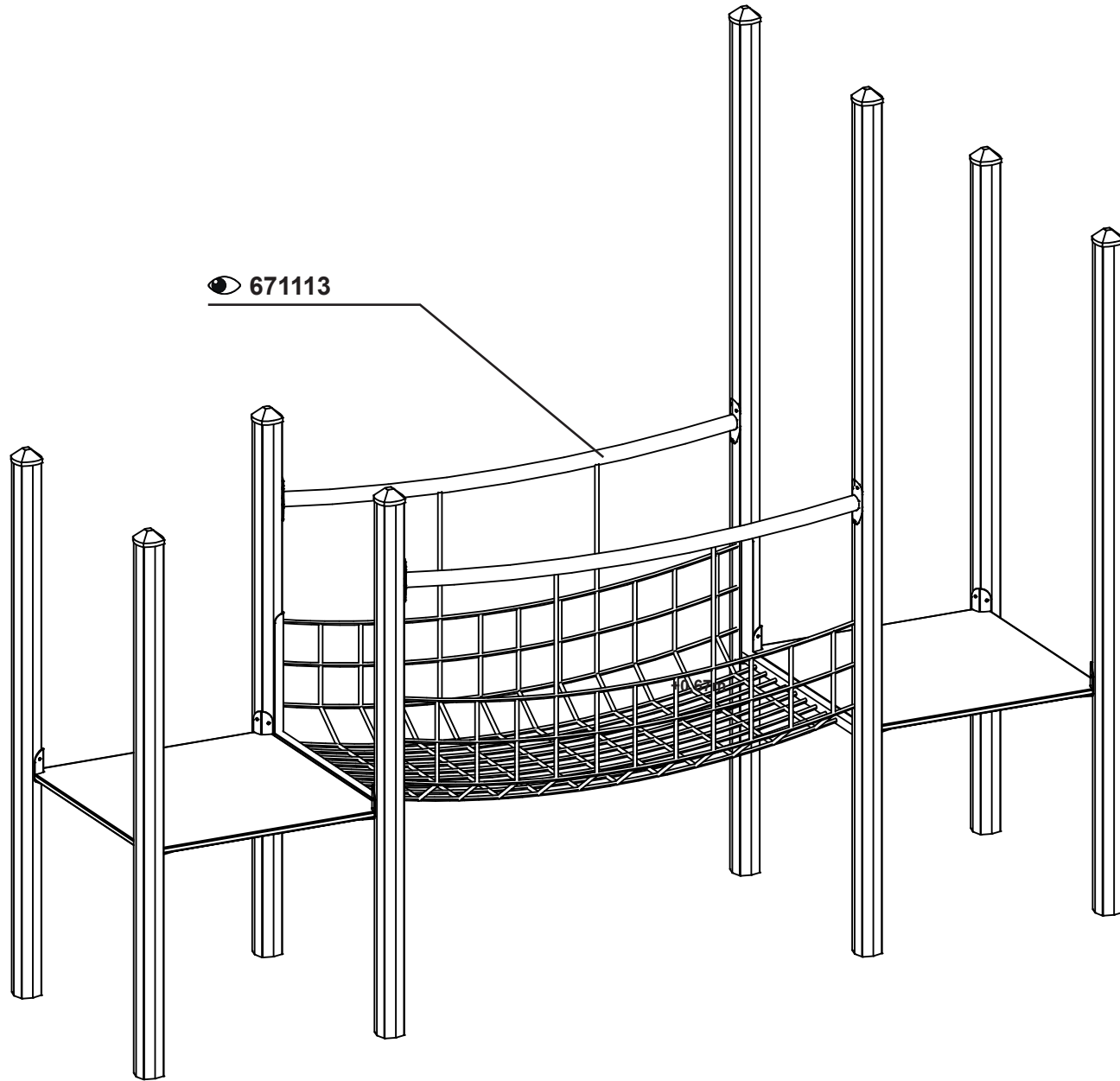
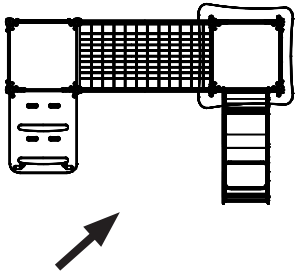


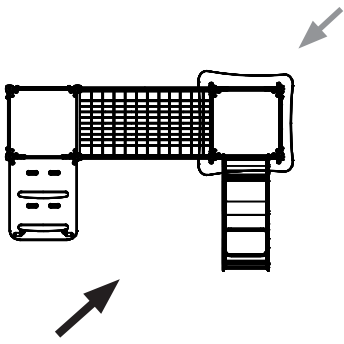
640072
smb x4



640072
sja x4





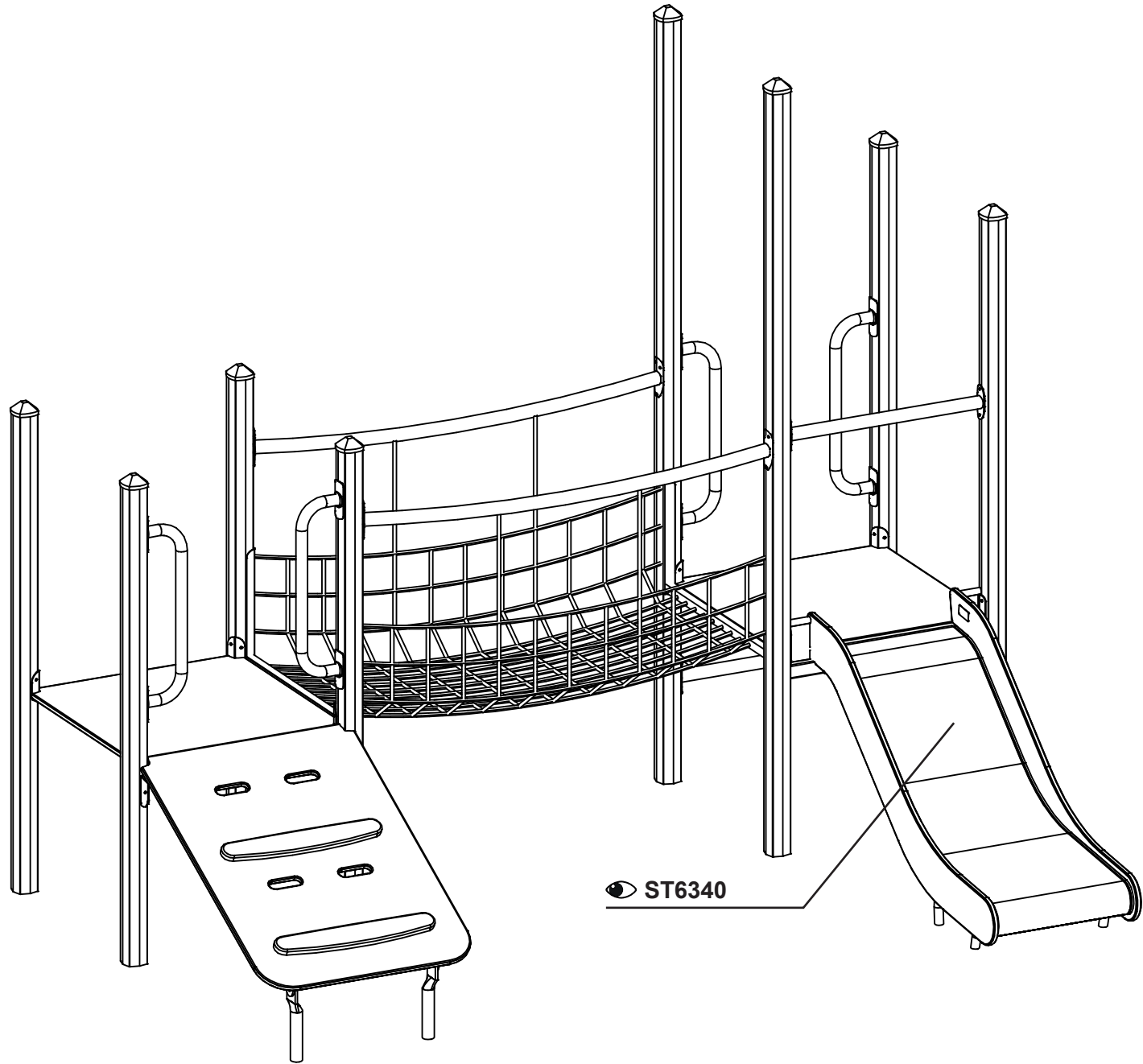
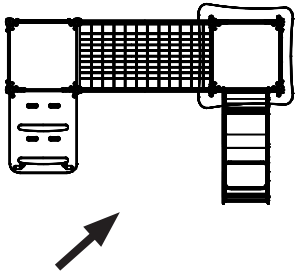


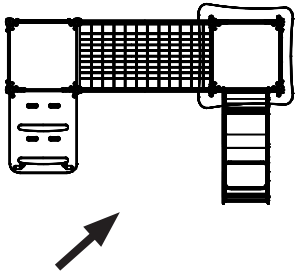
ST699113
x4

MA612110_ST [SF]
MA612110_ST_OM [OM]

ST638113

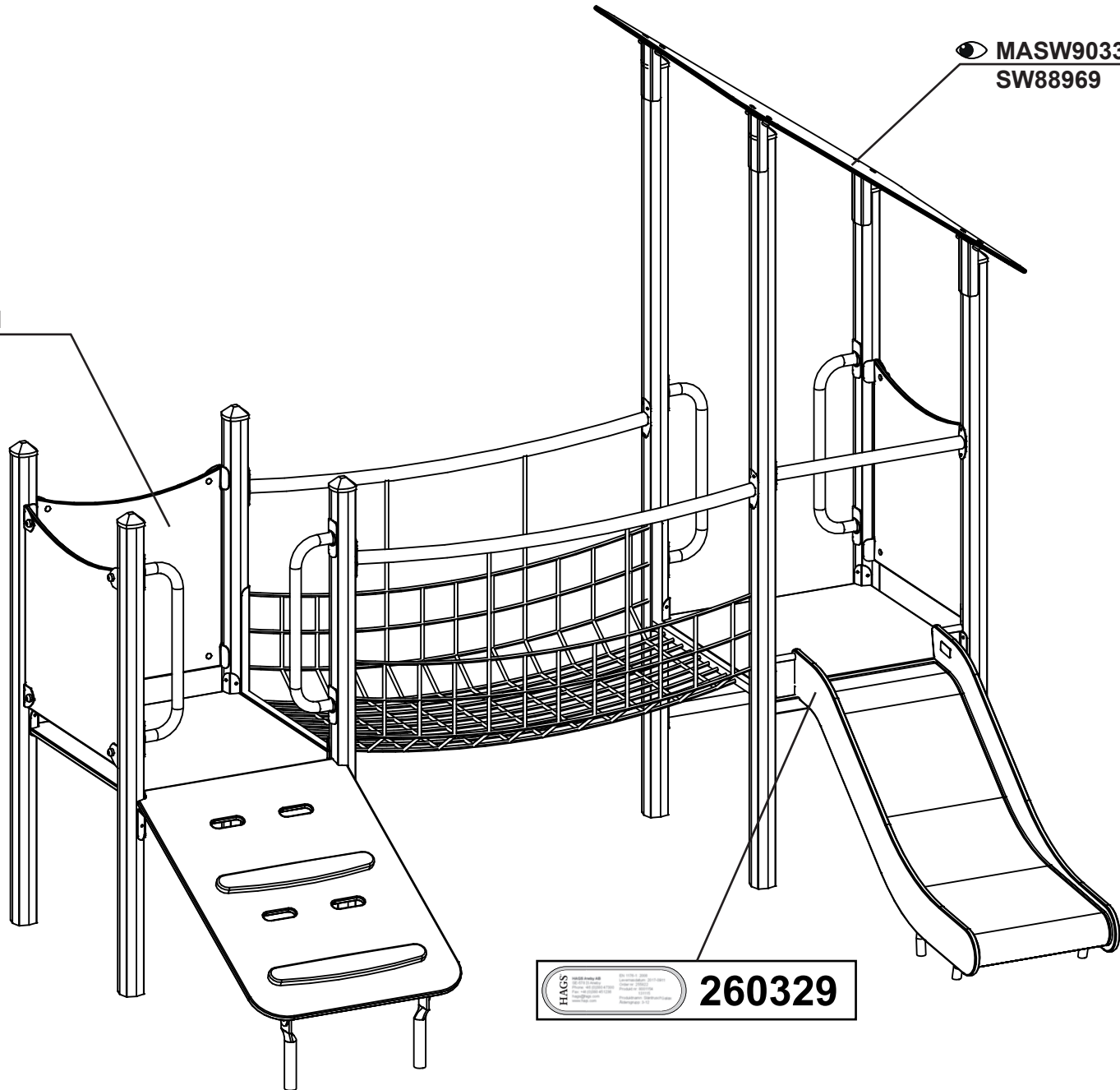
+0,30m





ST621301
x3

MASW90339
SW88969



HAGS
260329