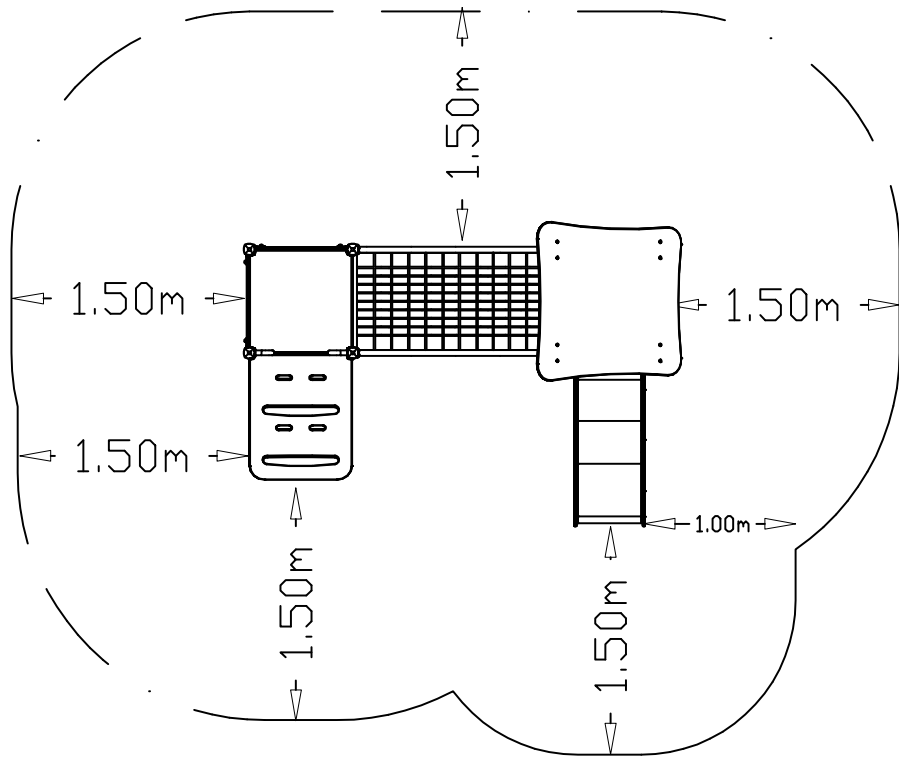
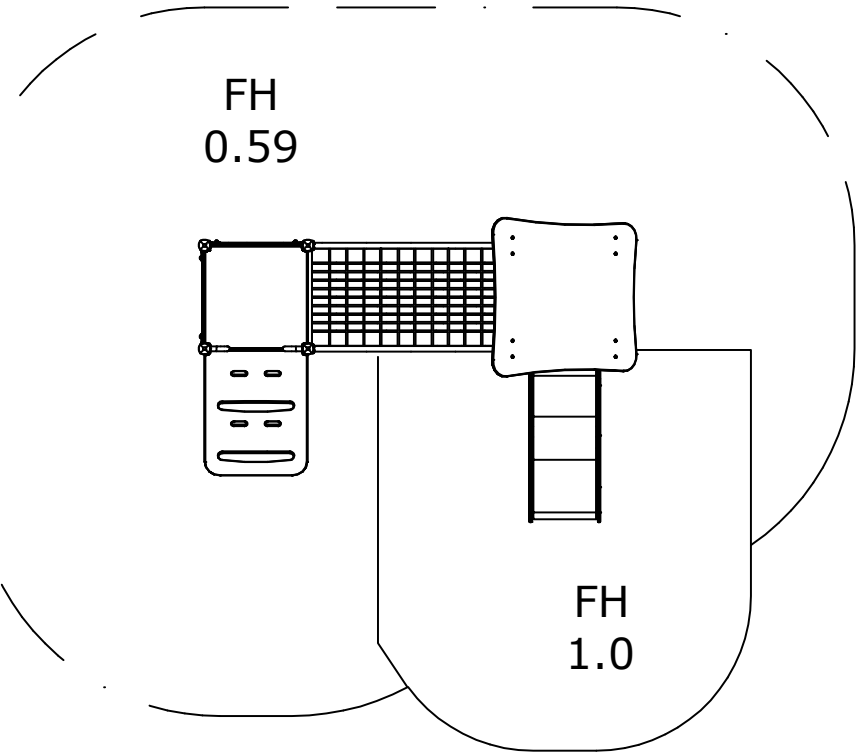


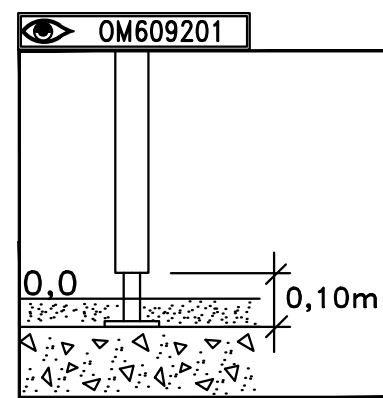
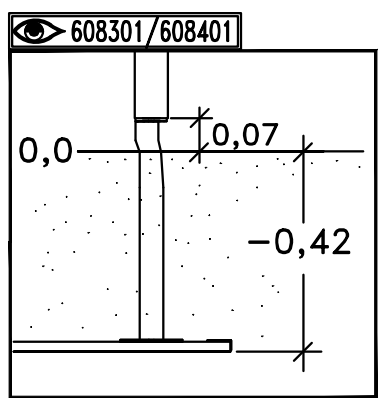
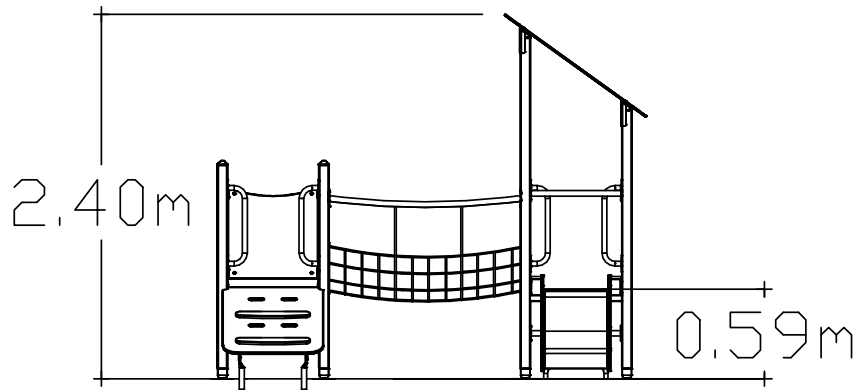
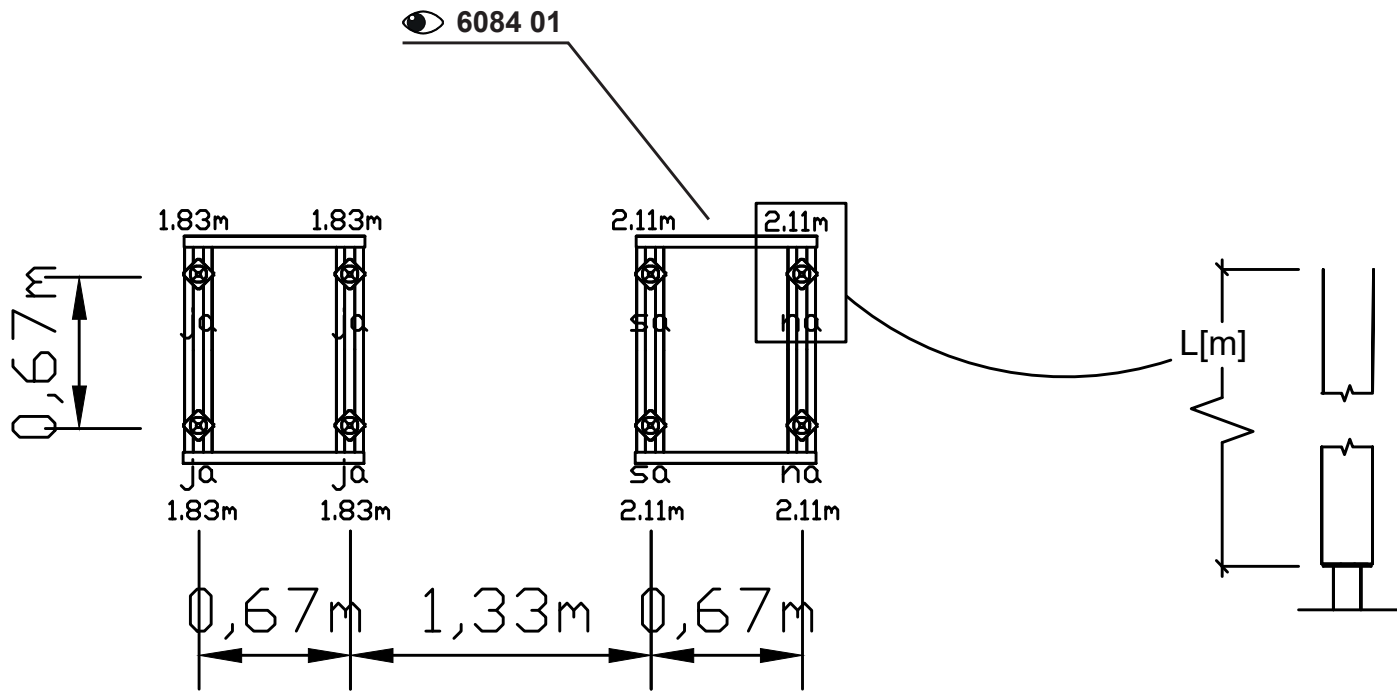
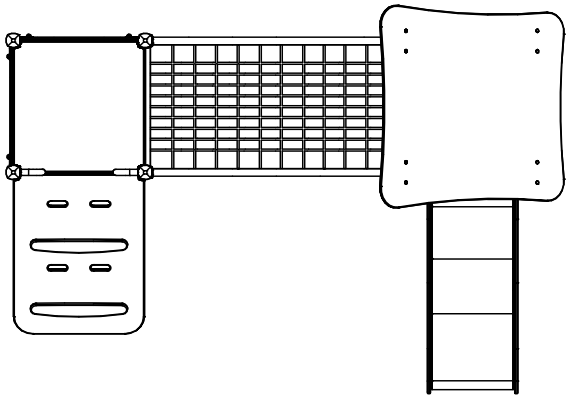
5.75m

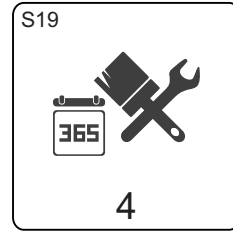
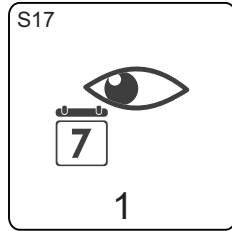
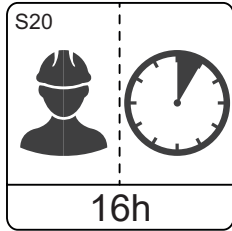
2.90m



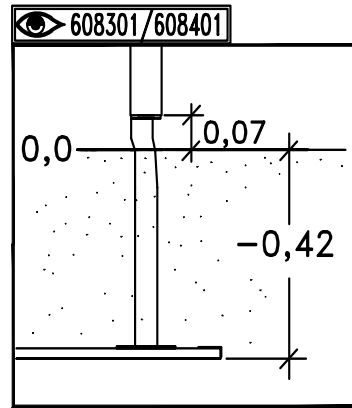
1.95m  
4.80m





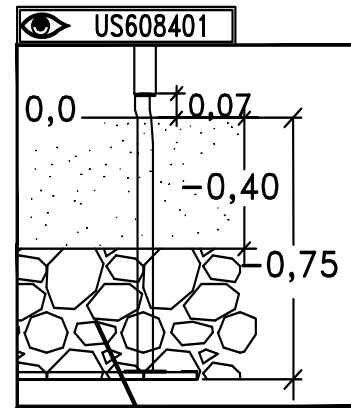


**6340**  
**260329**  
**621301**  
**638113**  
**671113**  
**62099113**  
**608401**  
**OM609201**  
**610072-03**  
**MA612110 [SF]**  
**MA612110\_OM [OM]**  
**MAST6101**  
**MASW90339**  
**SW88969**



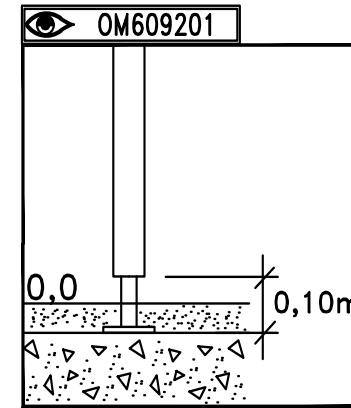
**SF**  
**Sunken Foundation**

8077960  
 8105640  
 80 \_\_\_\_\_  
 80 \_\_\_\_\_



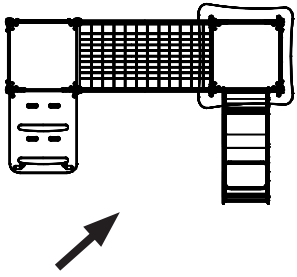
**BM**  
**Loosefill**

80 \_\_\_\_\_  
 80 \_\_\_\_\_  
 80 \_\_\_\_\_  
 80 \_\_\_\_\_

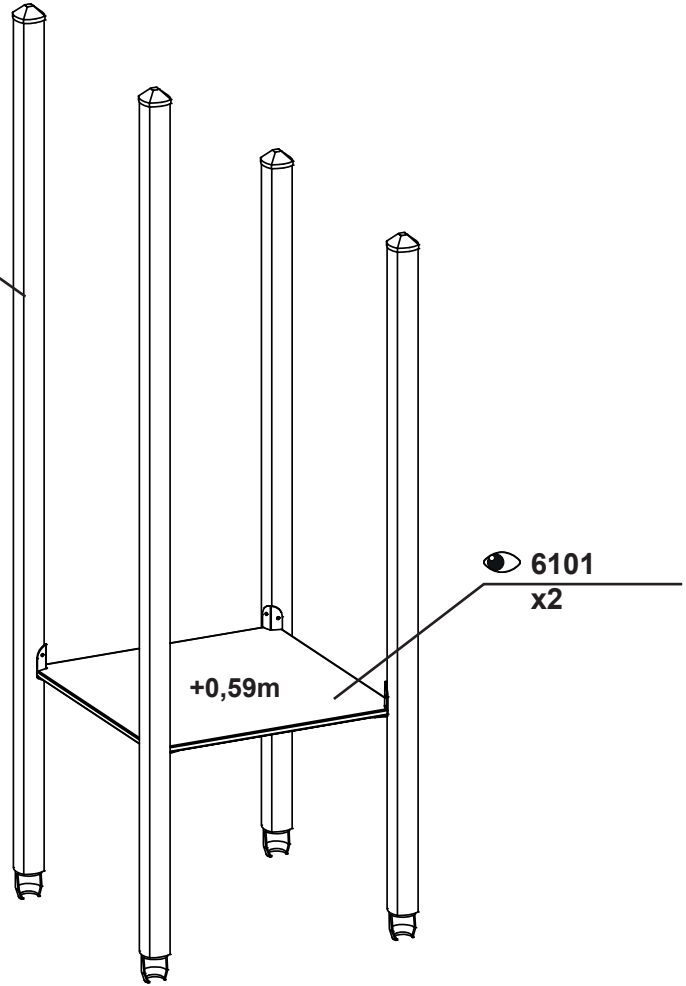
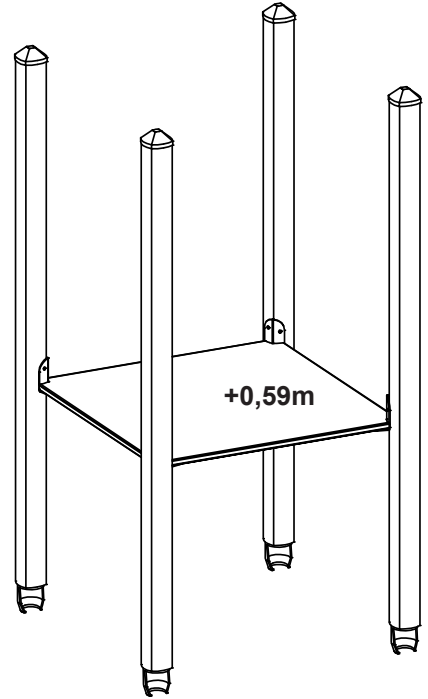


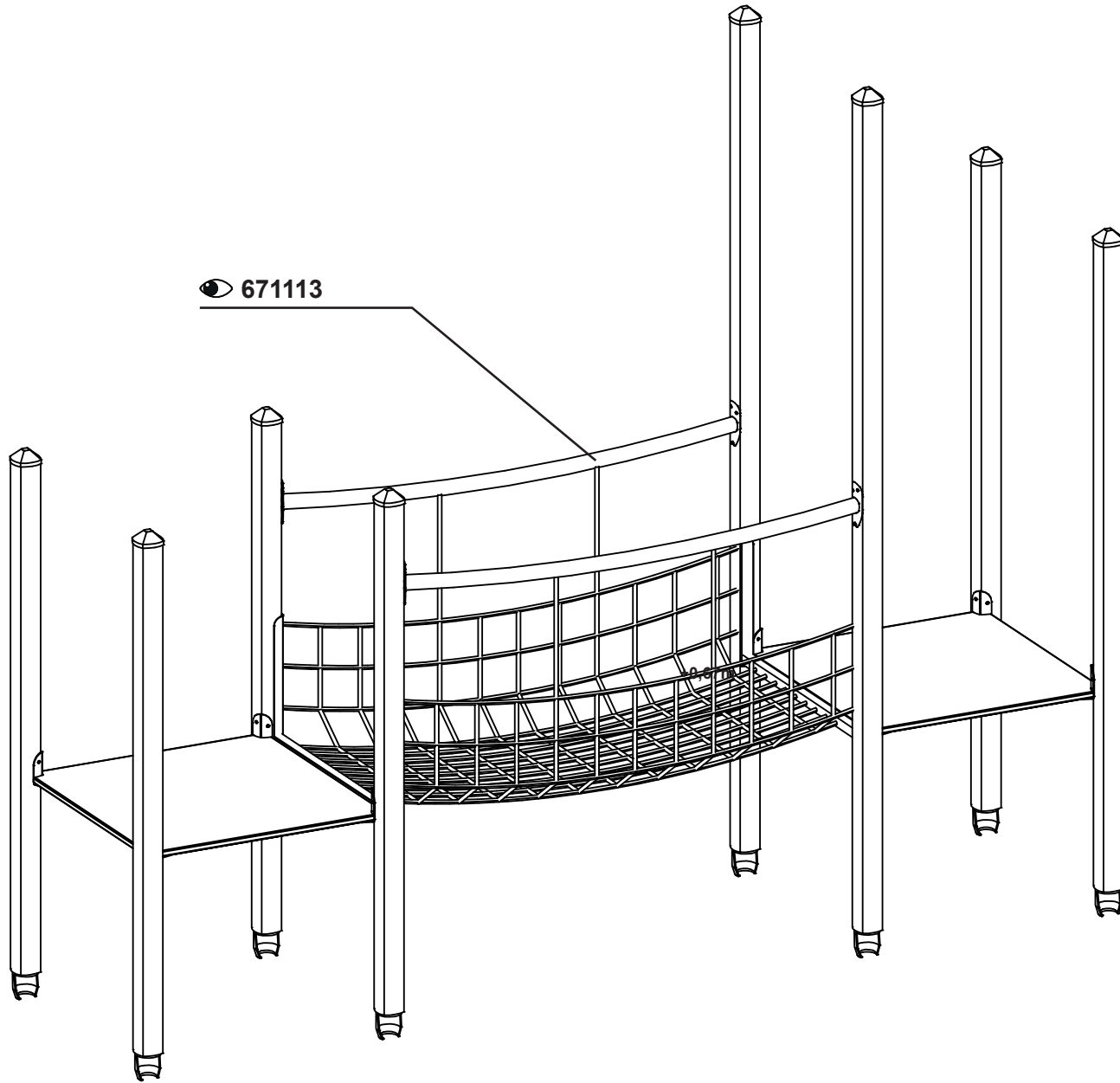
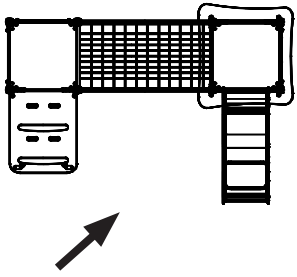
**OM**  
**Above Ground**

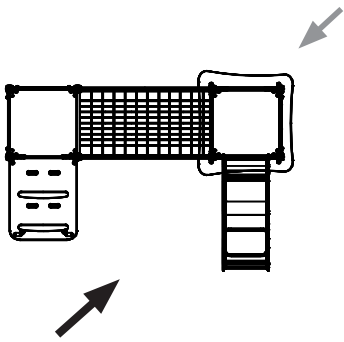
8105639  
 80 \_\_\_\_\_  
 80 \_\_\_\_\_  
 80 \_\_\_\_\_



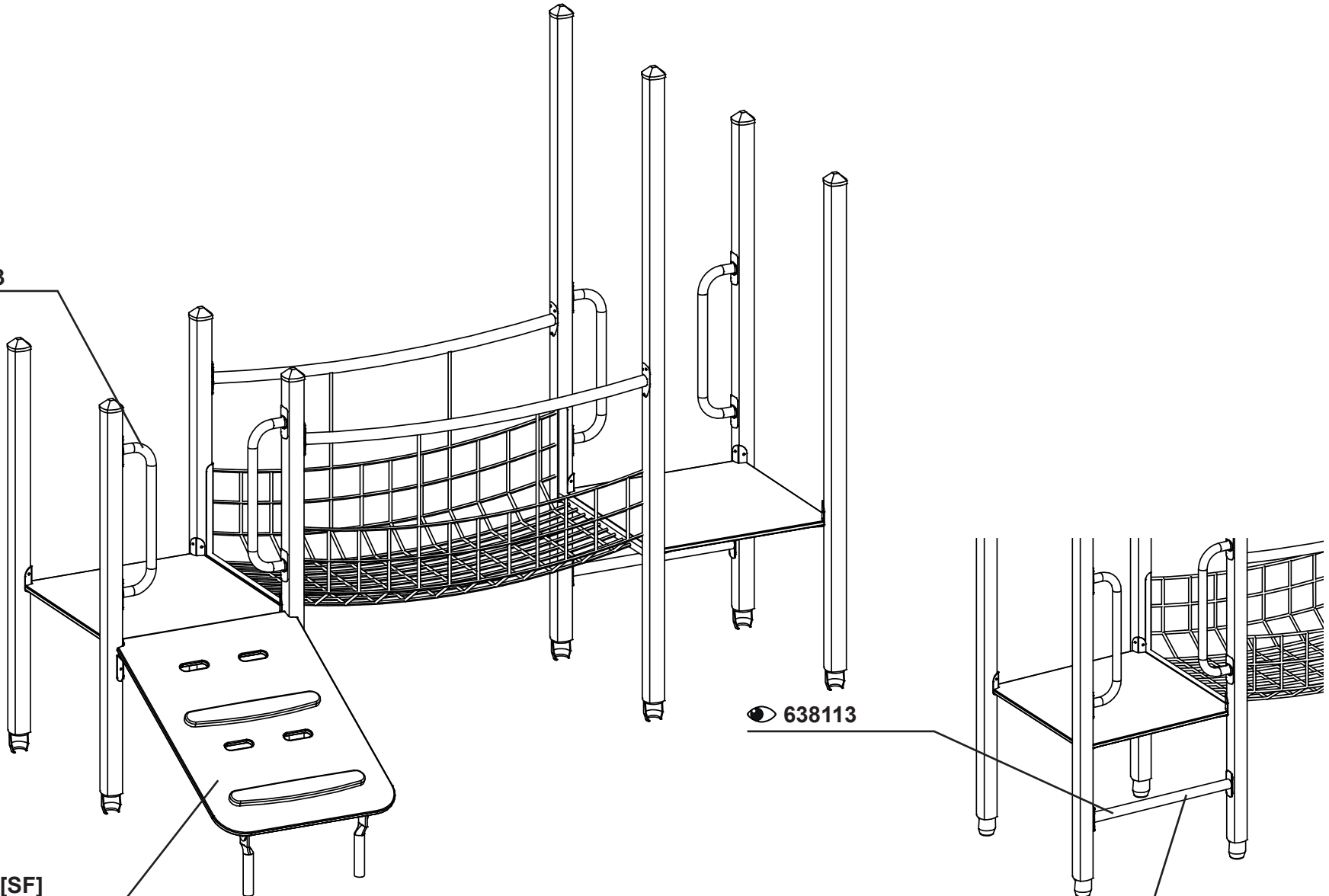
6084 01  
x8







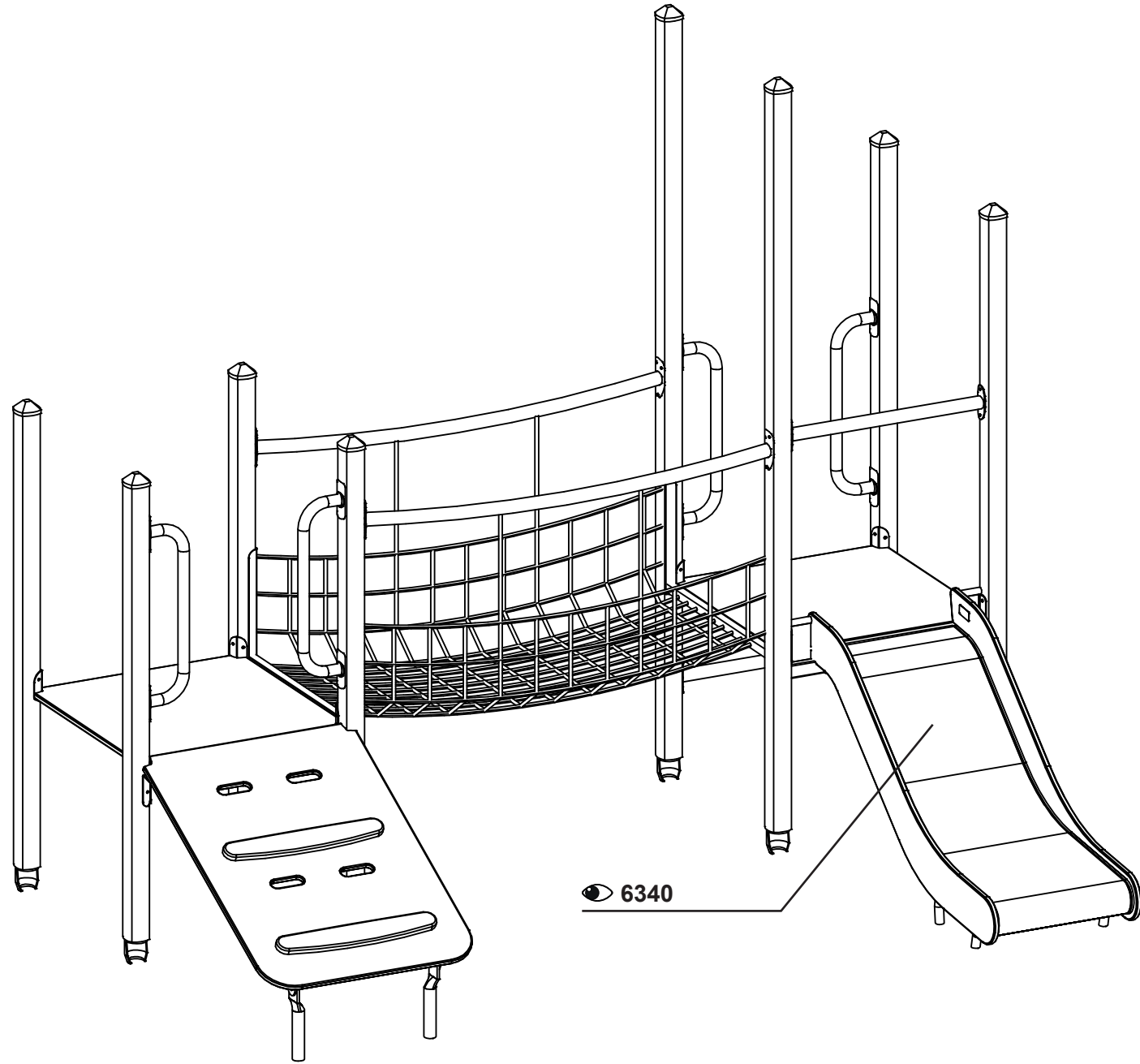
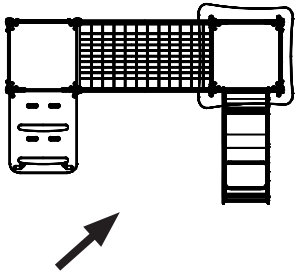
62099113  
x4



MA612110 [SF]  
MA612110\_OM [OM]

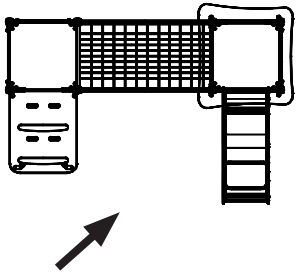
638113

+0,30m



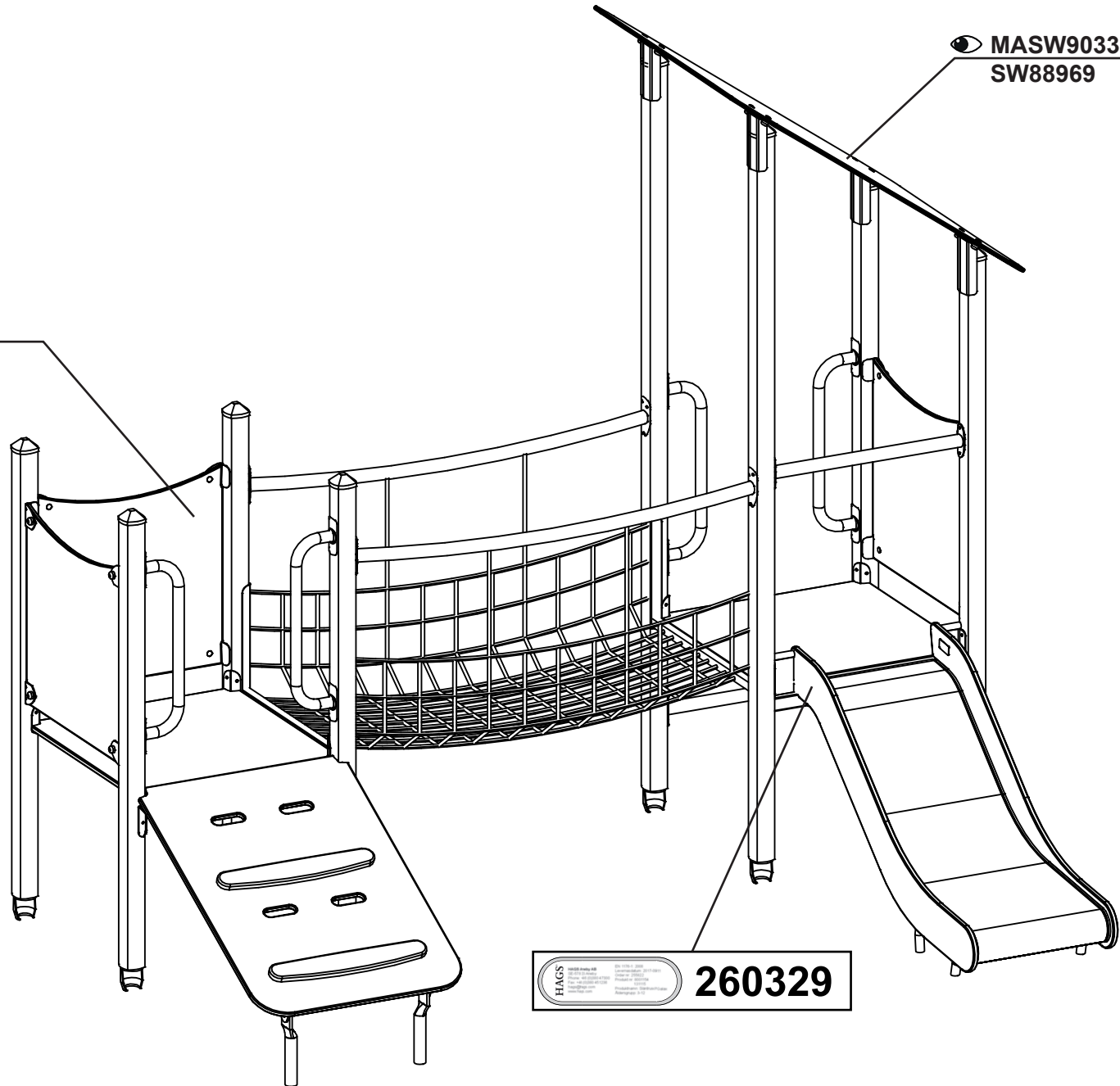
6340





621301  
x3

MASW90339  
SW88969



HAGS  
260329