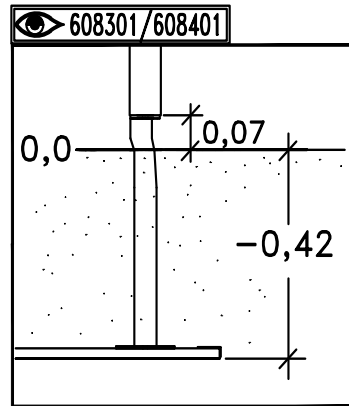
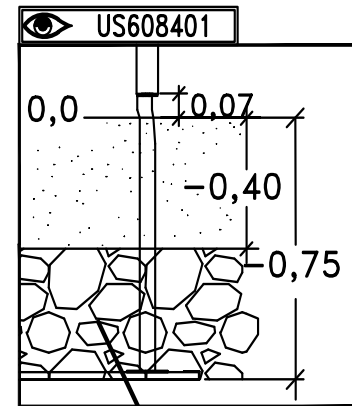


260329
621301
638113
62099113
608401
OM609201
62077021 [SF]
62277021 [OM]
6342 [SF]
6101
MASW26667 [SF]
MASW78749
MASW78855
MASW90339
MASW92059 [OM]
OM6342 [OM]



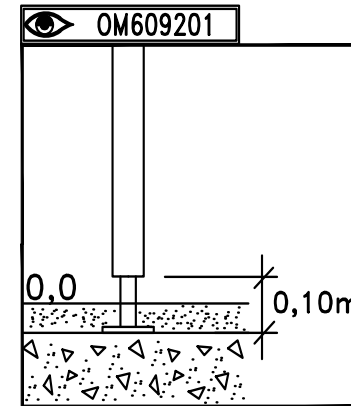
SF
Sunken Foundation

8077964
 8105664
 80 _____
 80 _____



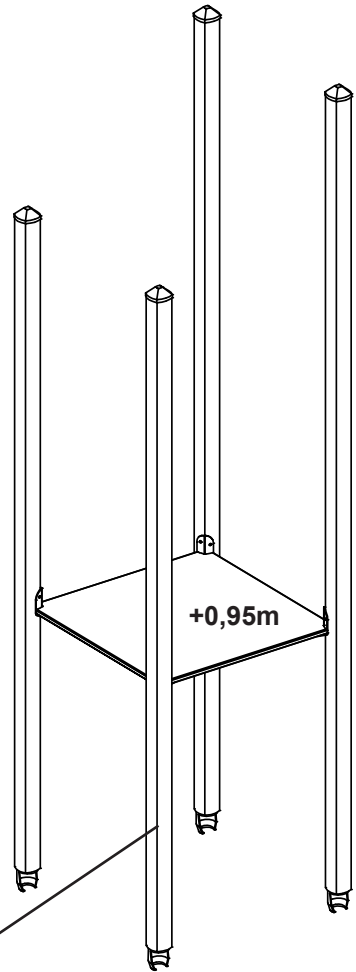
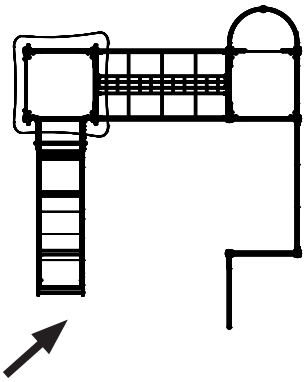
BM
Loosefill

80 _____
 80 _____
 80 _____
 80 _____

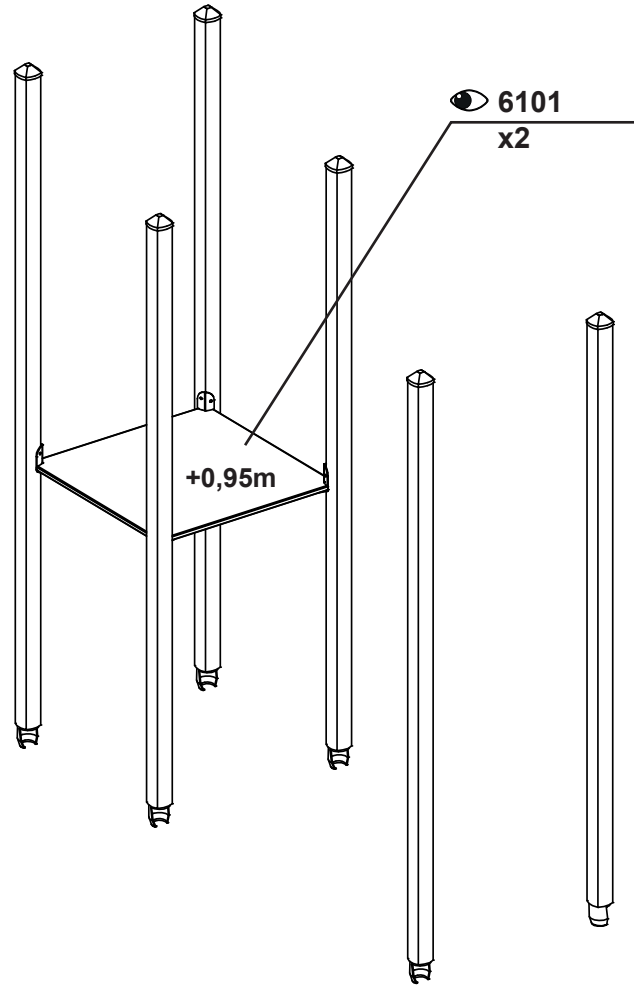


OM
Above Ground

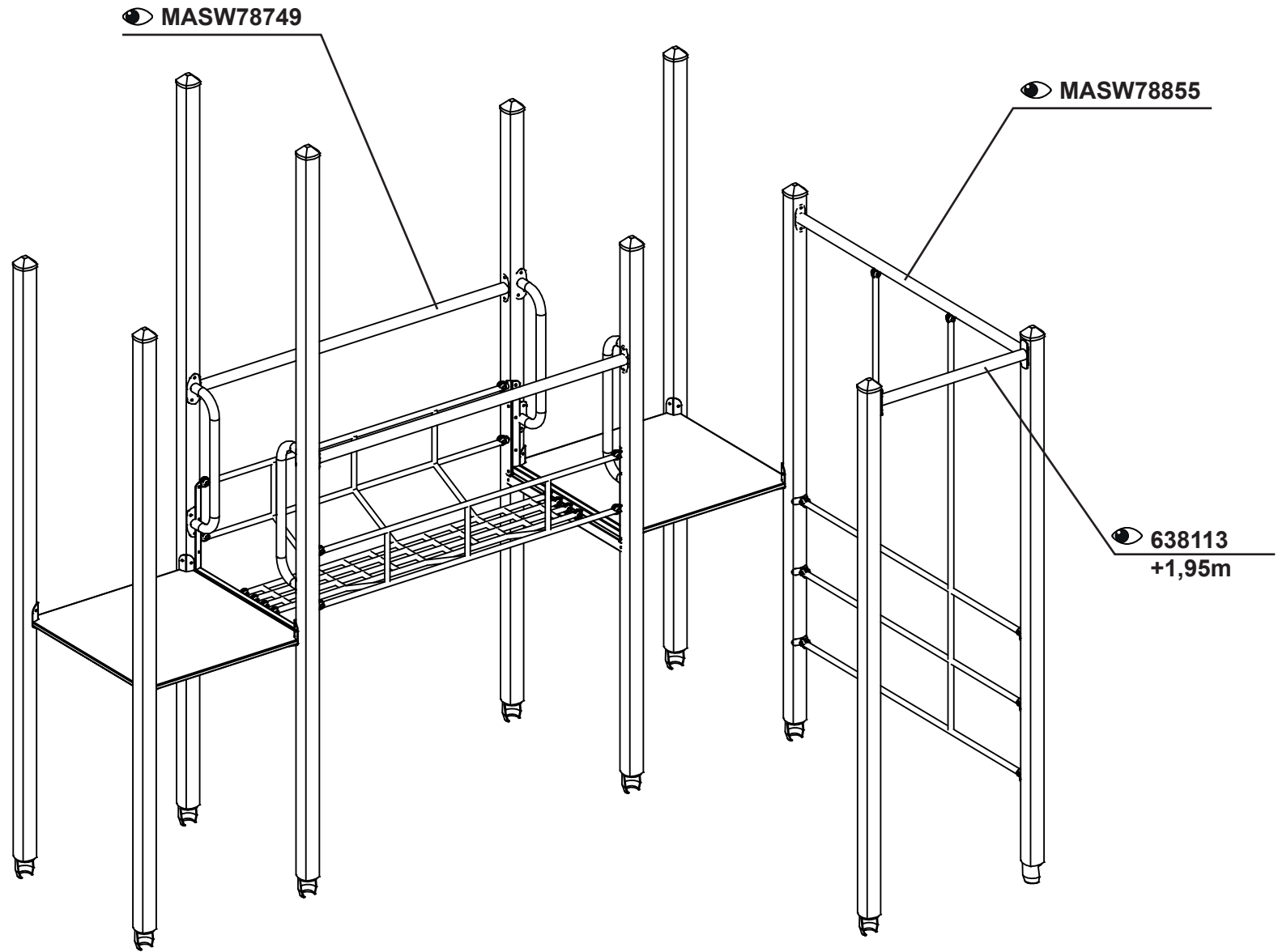
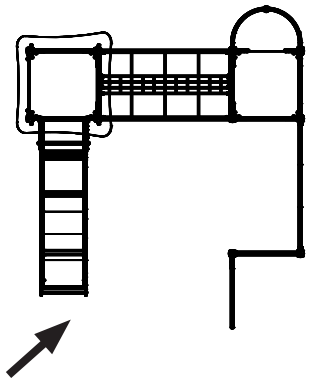
8105663
 80 _____
 80 _____
 80 _____

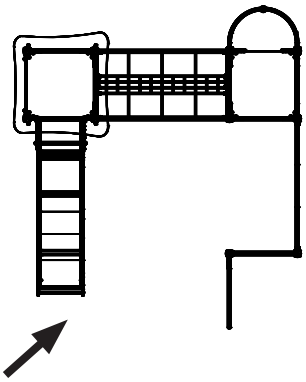


6084 01
x10



6101
x2





62099113
x6

+0,70m

+0,42m

+1,80m

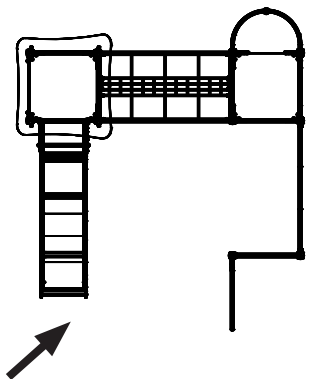
+0,70m

+0,42m

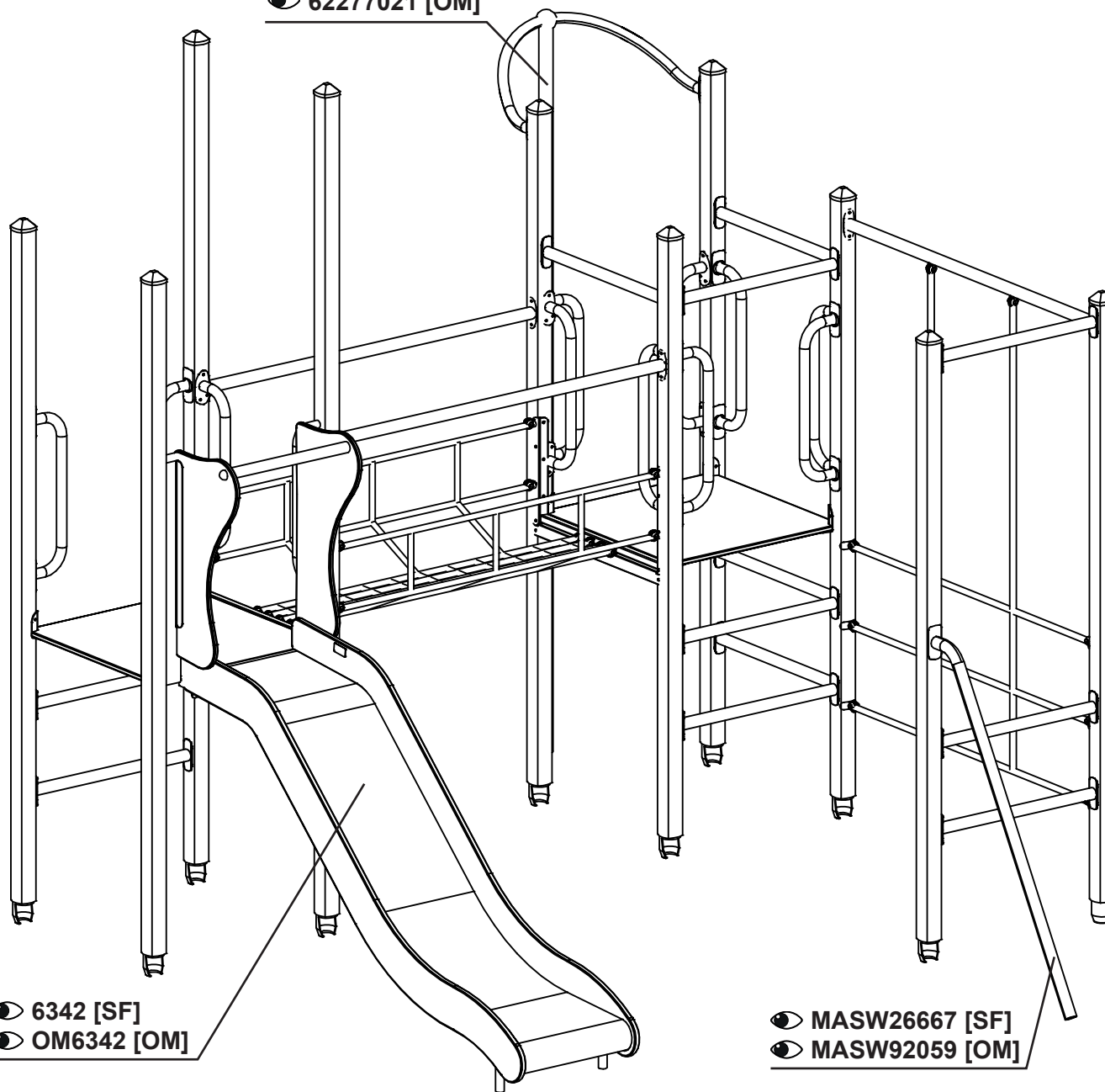
+0,70m

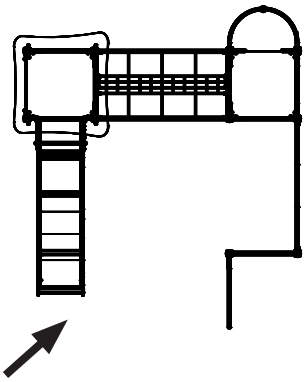
+0,42m

638113
x11



62077021 [SF]
62277021 [OM]





● MASW90339
SW88969

● 621301
x2

HAGS
260329

