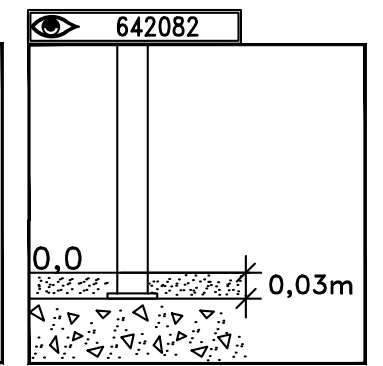
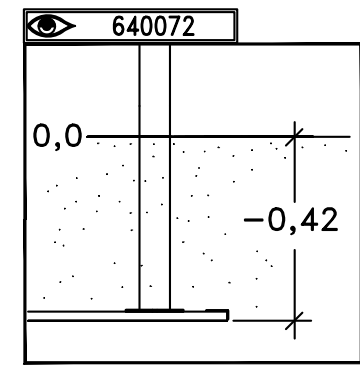
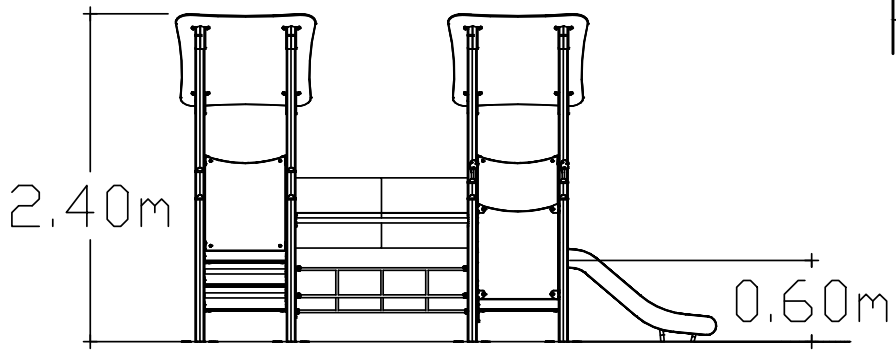
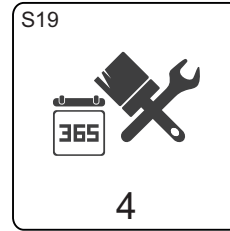
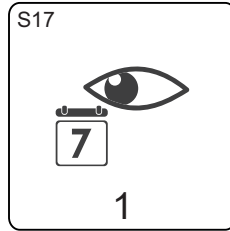
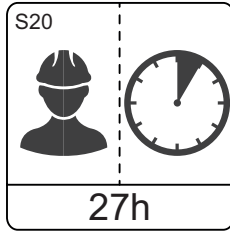
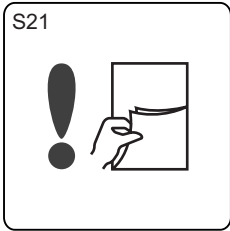
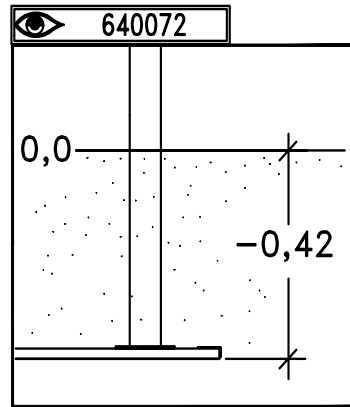


- 👁 610076
- 👁 610072-03
- 👁 6084 01



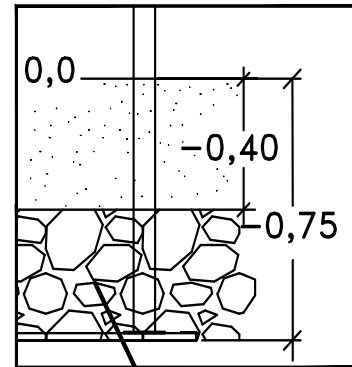


260329
610076
610072-03
640072 [SF]
642082 [OM]
MA612313
MAST6101
MASW78749
MASW90339
ST621301
ST6342 [SF]
ST6342OM [OM]
ST638113
ST676106
SW88969



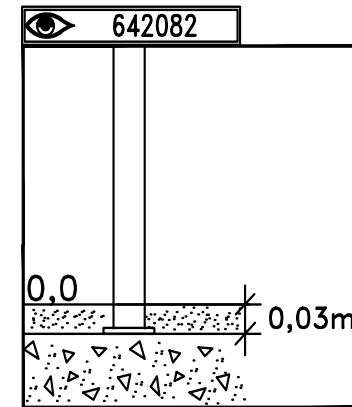
SF
Sunken Foundation

8077965
 8105679
 80 _____
 80 _____



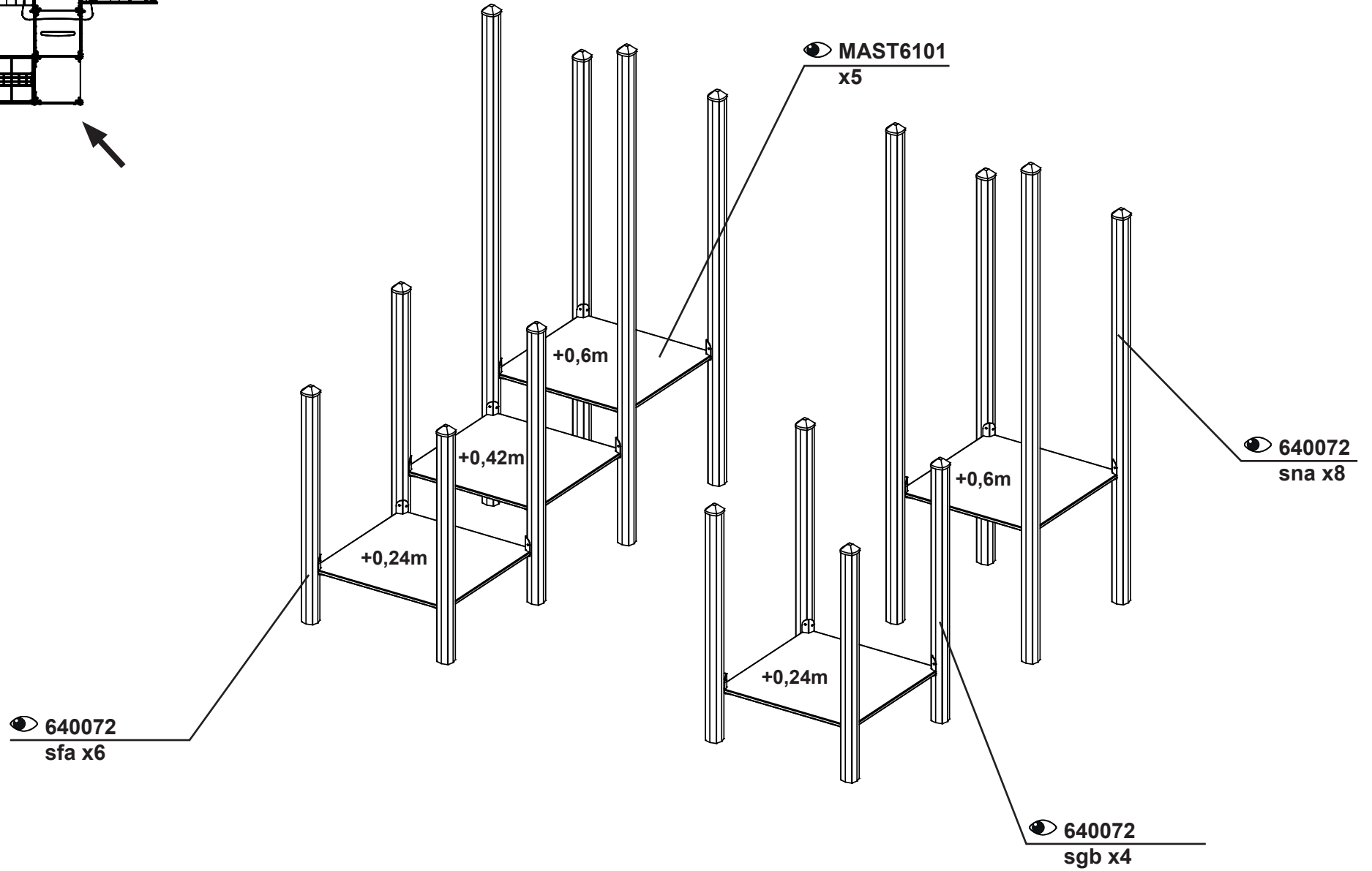
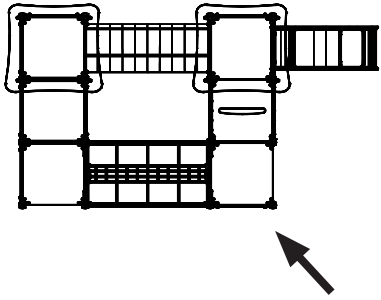
BM
Loosefill

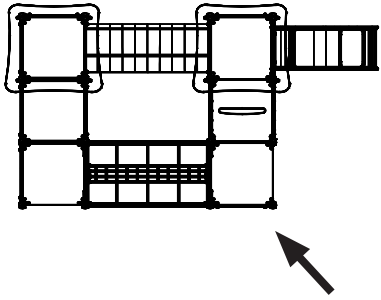
80 _____
 80 _____
 80 _____
 80 _____



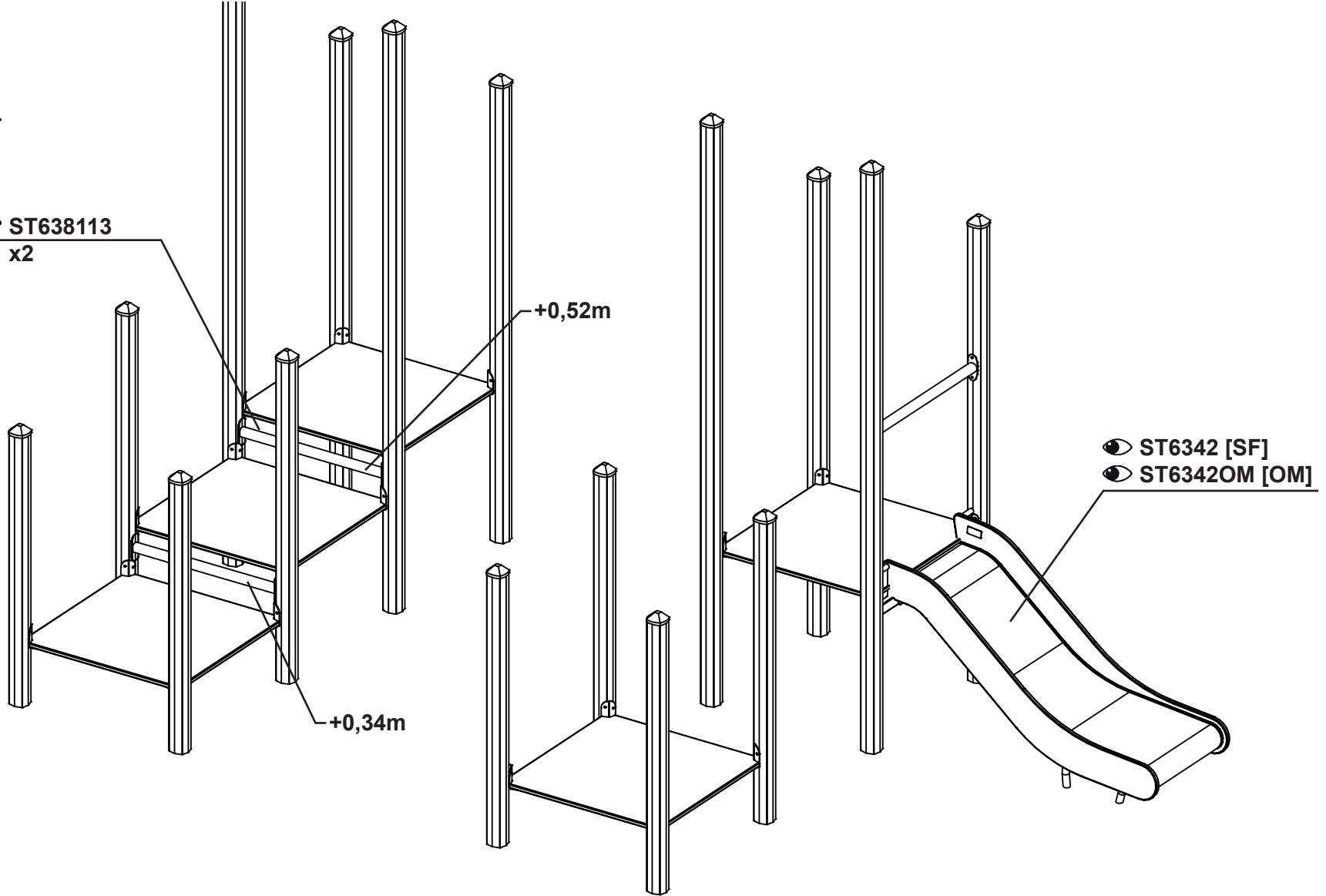
OM
Above Ground

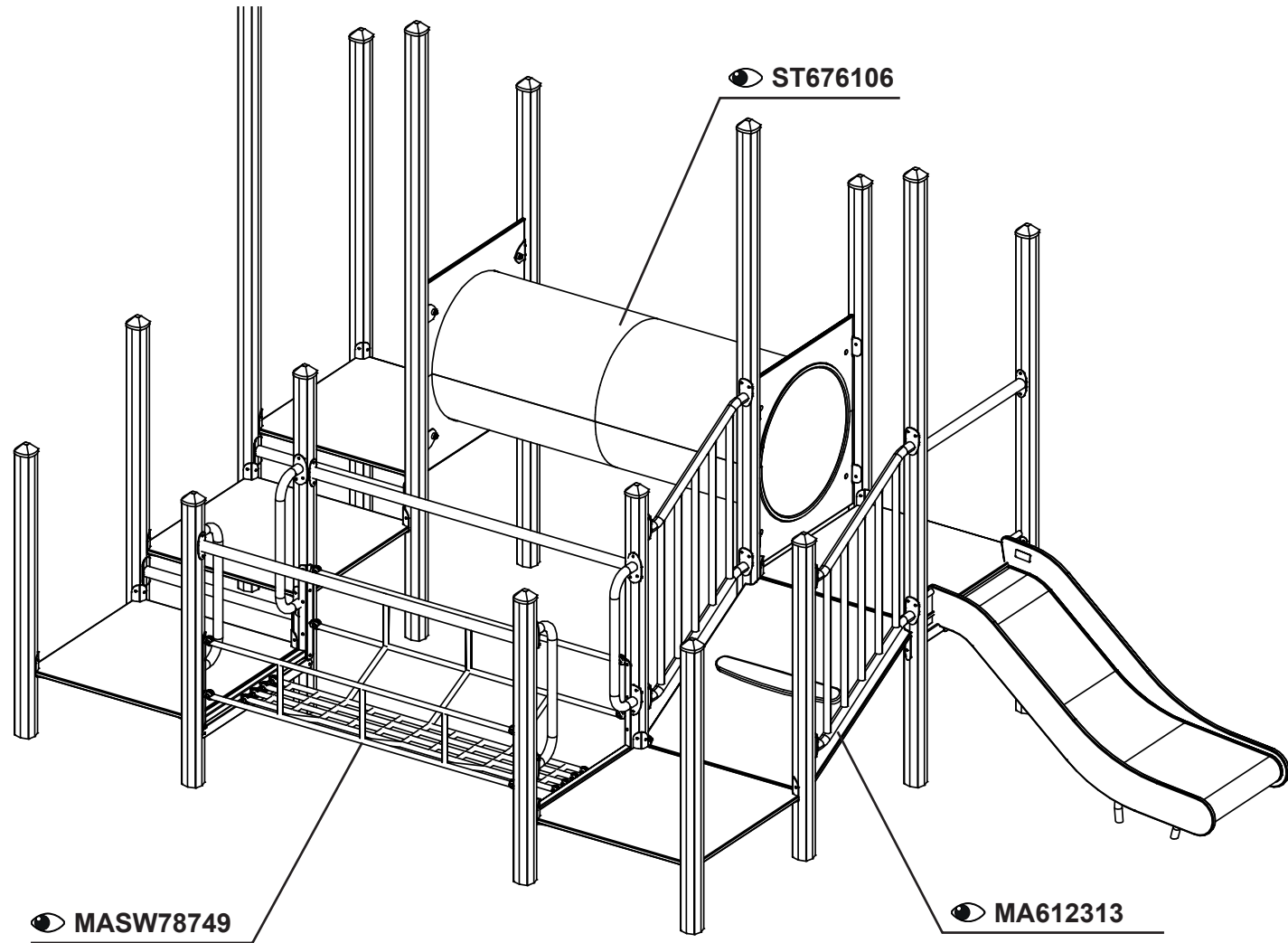
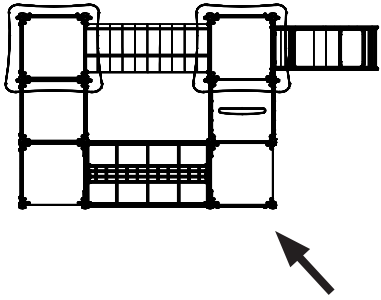
8105676
 80 _____
 80 _____
 80 _____

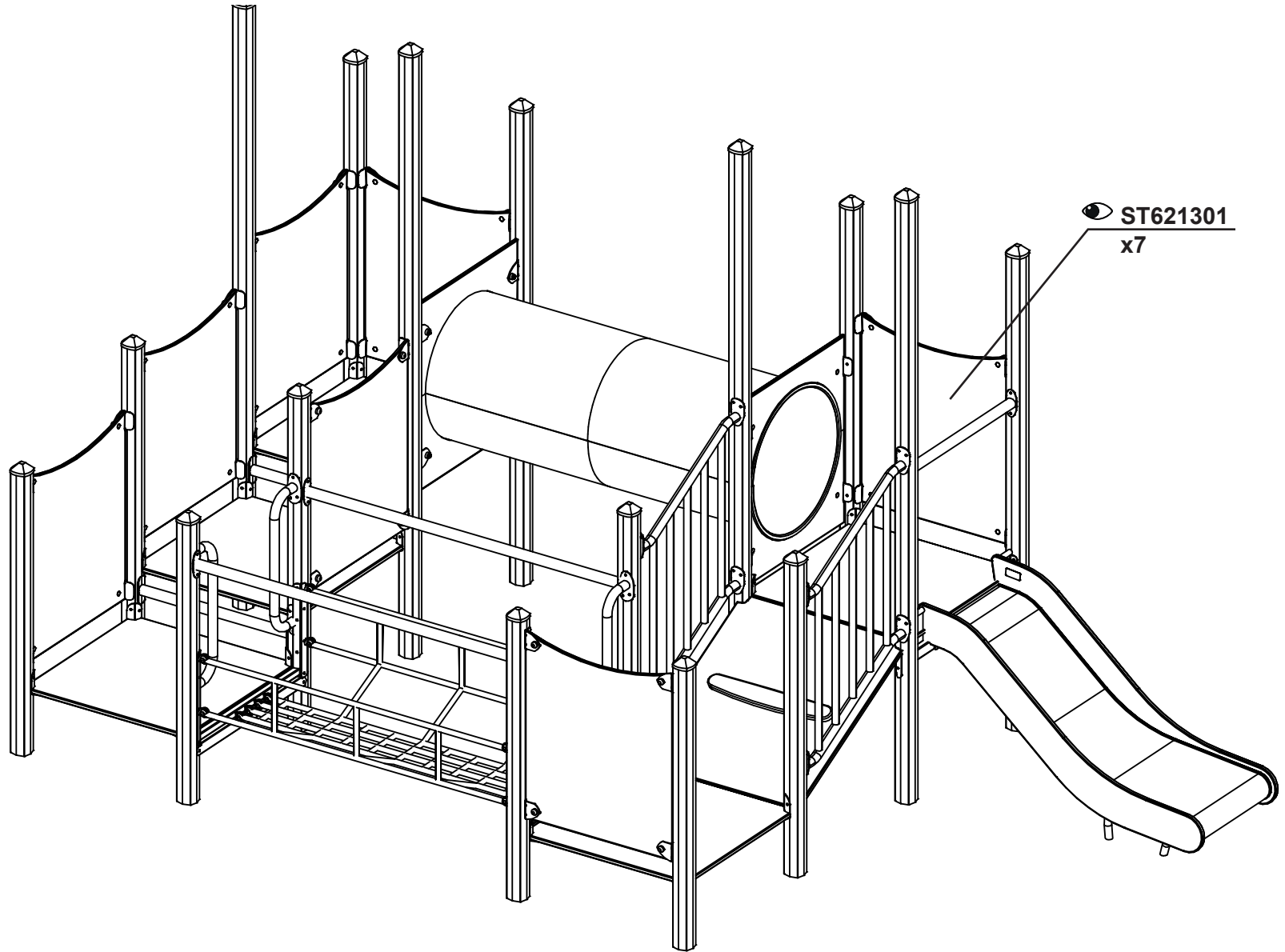
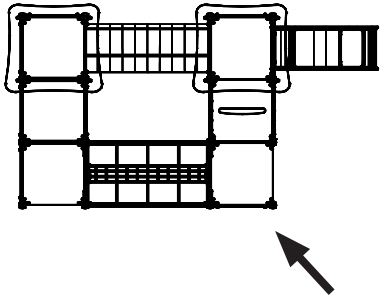




ST638113
x2







ST621301
x7

