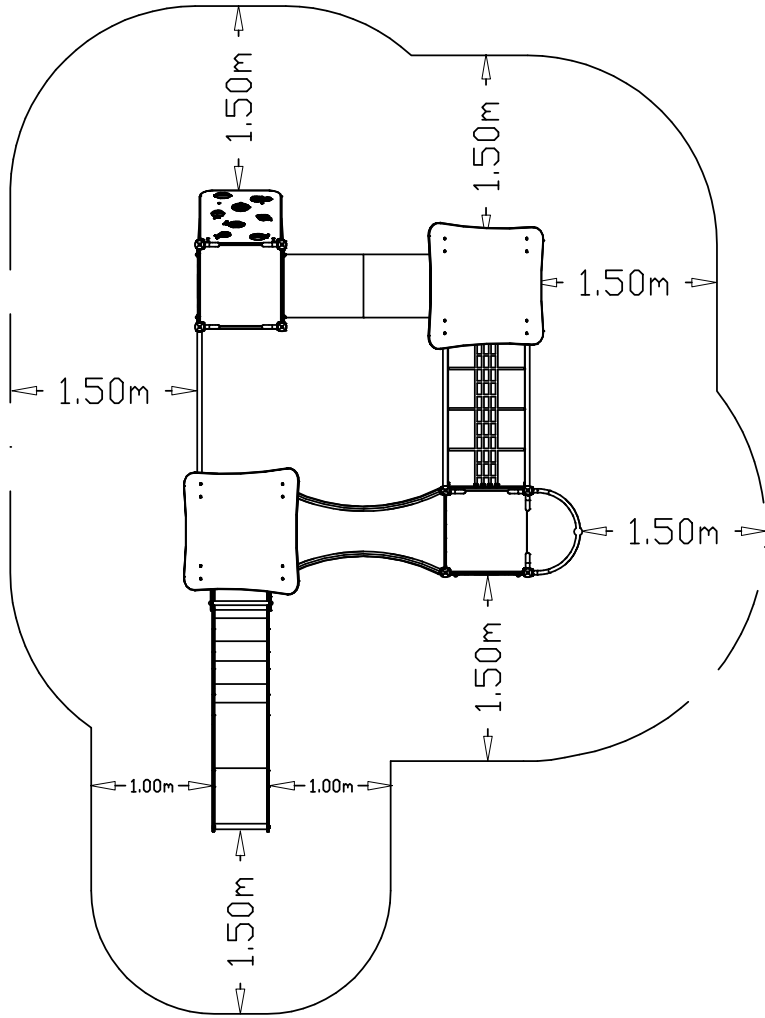
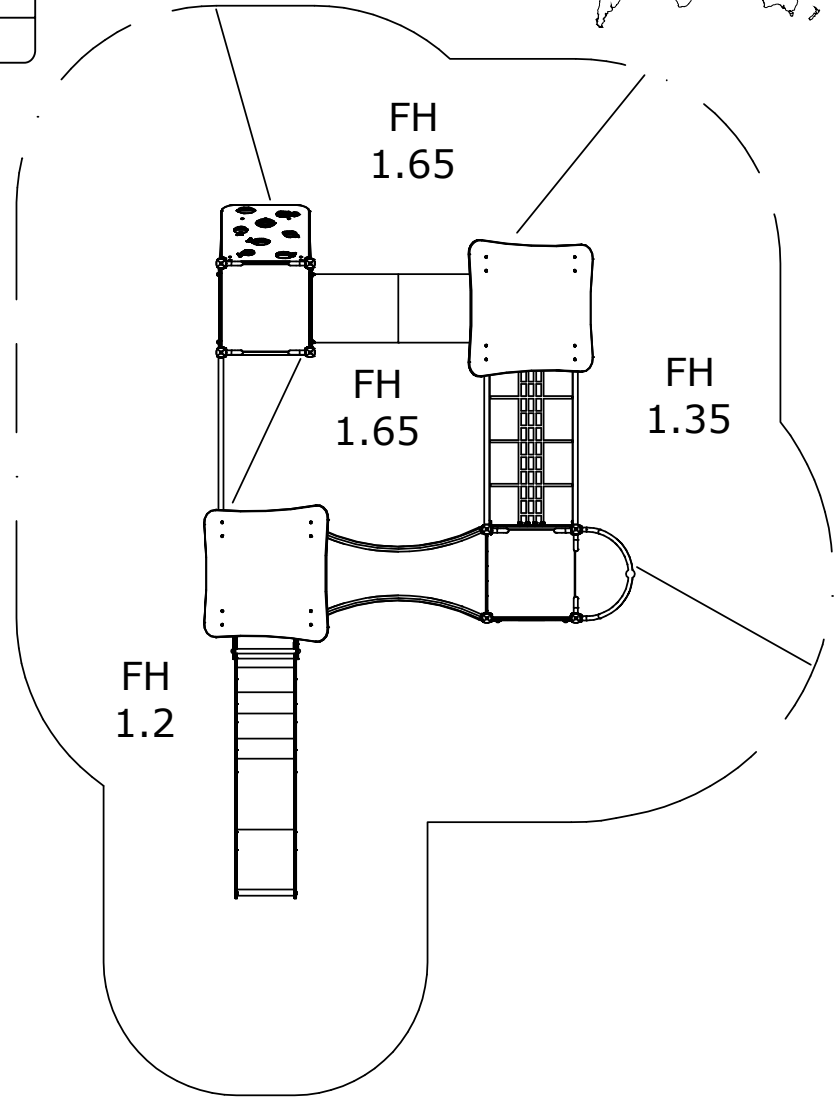


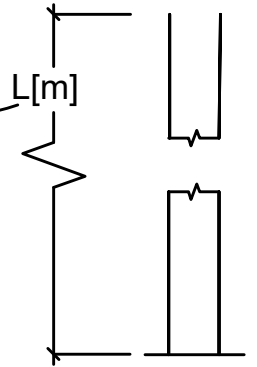
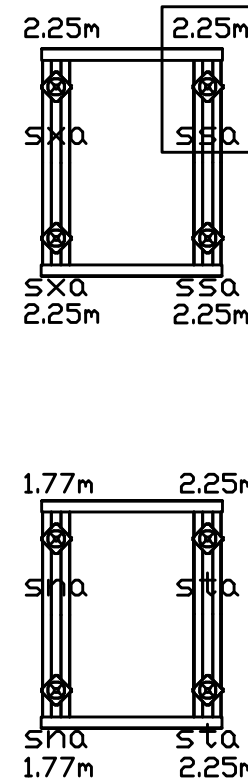
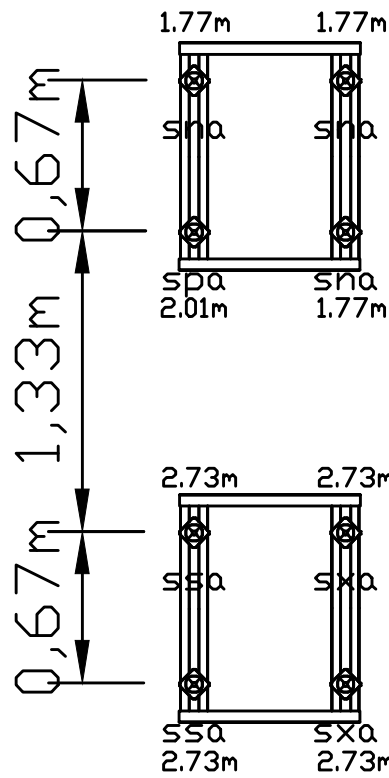
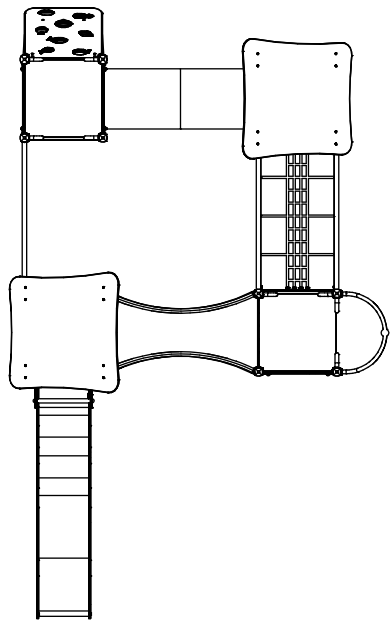
6.15m

3.25m

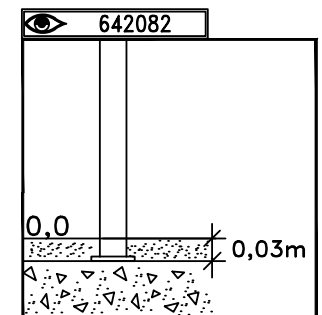
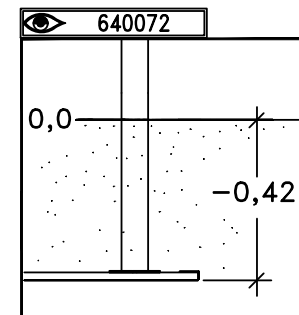
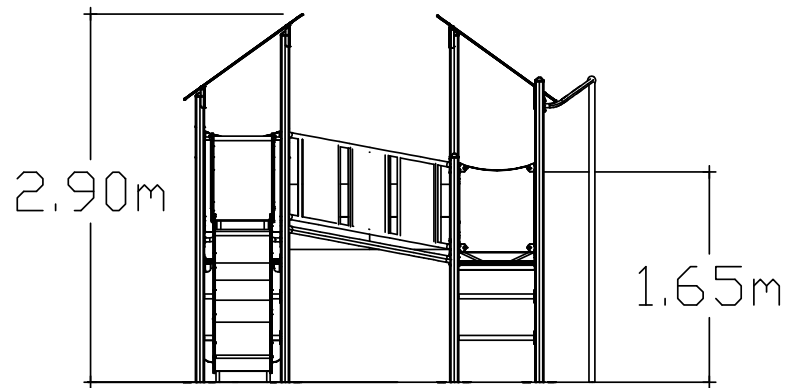
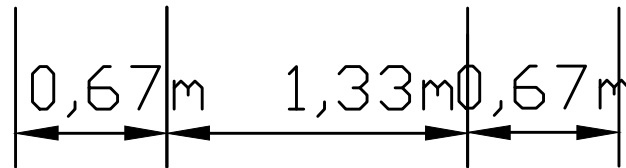


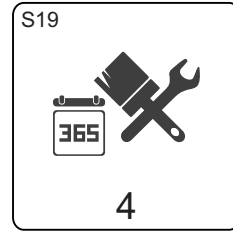
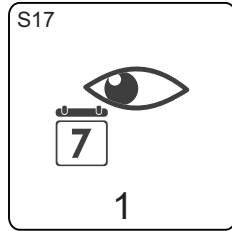
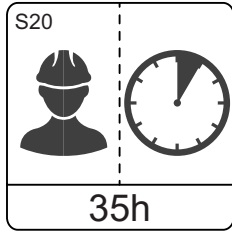
5.20m  
8.20m



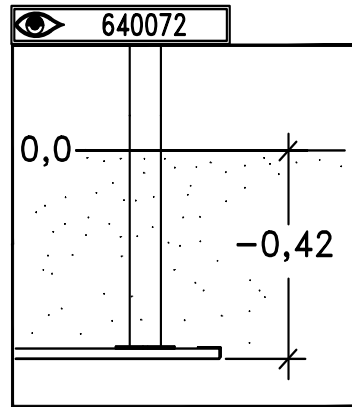


- 👁 610076
- 👁 610072-03
- 👁 6084 01



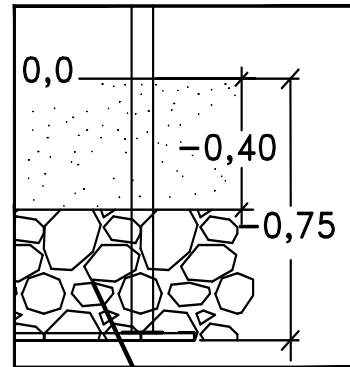


**260329**  
**610076**  
**65071310**  
**610072-03**  
**640072 [SF]**  
**642082 [OM]**  
**65077021 [SF]**  
**65277021 [OM]**  
**MAST6101**  
**MASW78749**  
**MASW78855**  
**MASW89054**  
**MASW90339**  
**ST621301**  
**ST6342 [SF]**  
**ST6342OM [OM]**  
**ST638113**  
**ST676106**  
**ST699113**  
**SW88969**



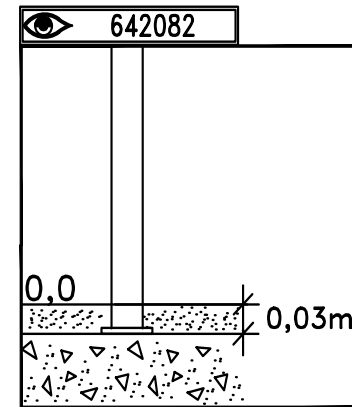
**SF**  
**Sunken Foundation**

8077969  
 8105696  
 80 \_\_\_\_\_  
 80 \_\_\_\_\_



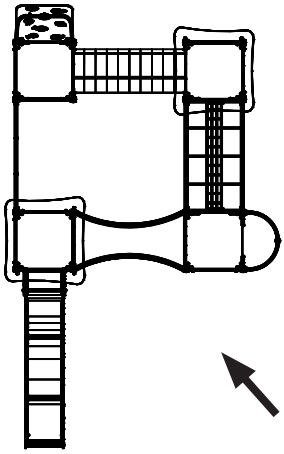
**BM**  
**Loosefill**

80 \_\_\_\_\_  
 80 \_\_\_\_\_  
 80 \_\_\_\_\_  
 80 \_\_\_\_\_



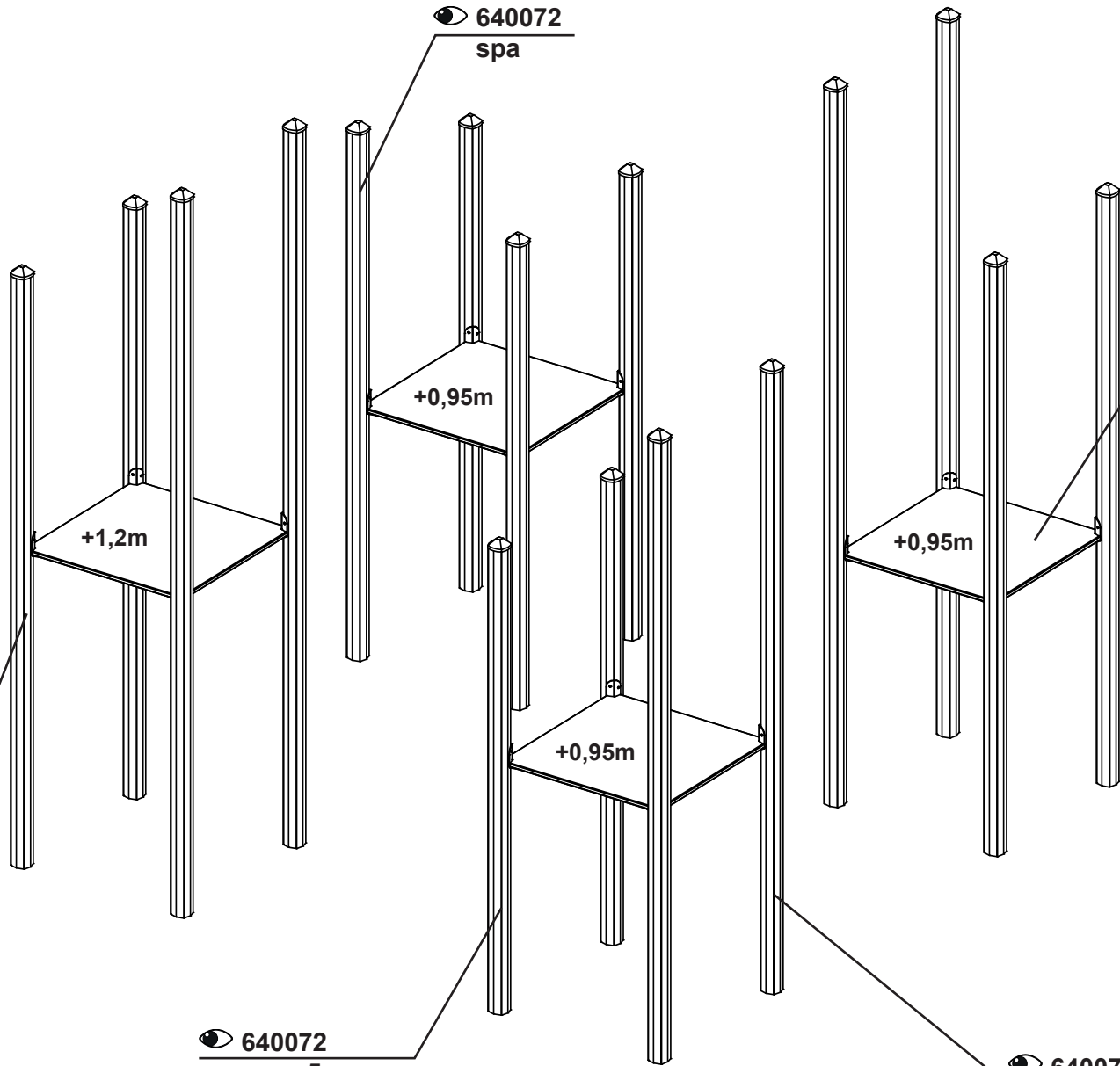
**OM**  
**Above Ground**

8105695  
 80 \_\_\_\_\_  
 80 \_\_\_\_\_  
 80 \_\_\_\_\_



640072  
spa

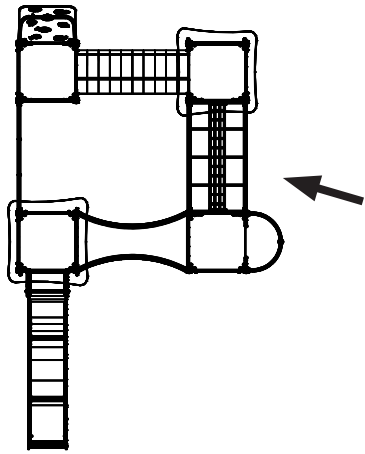
MAST6101  
x4



640072  
sxa x4

640072  
sna x5

640072  
ssa x8

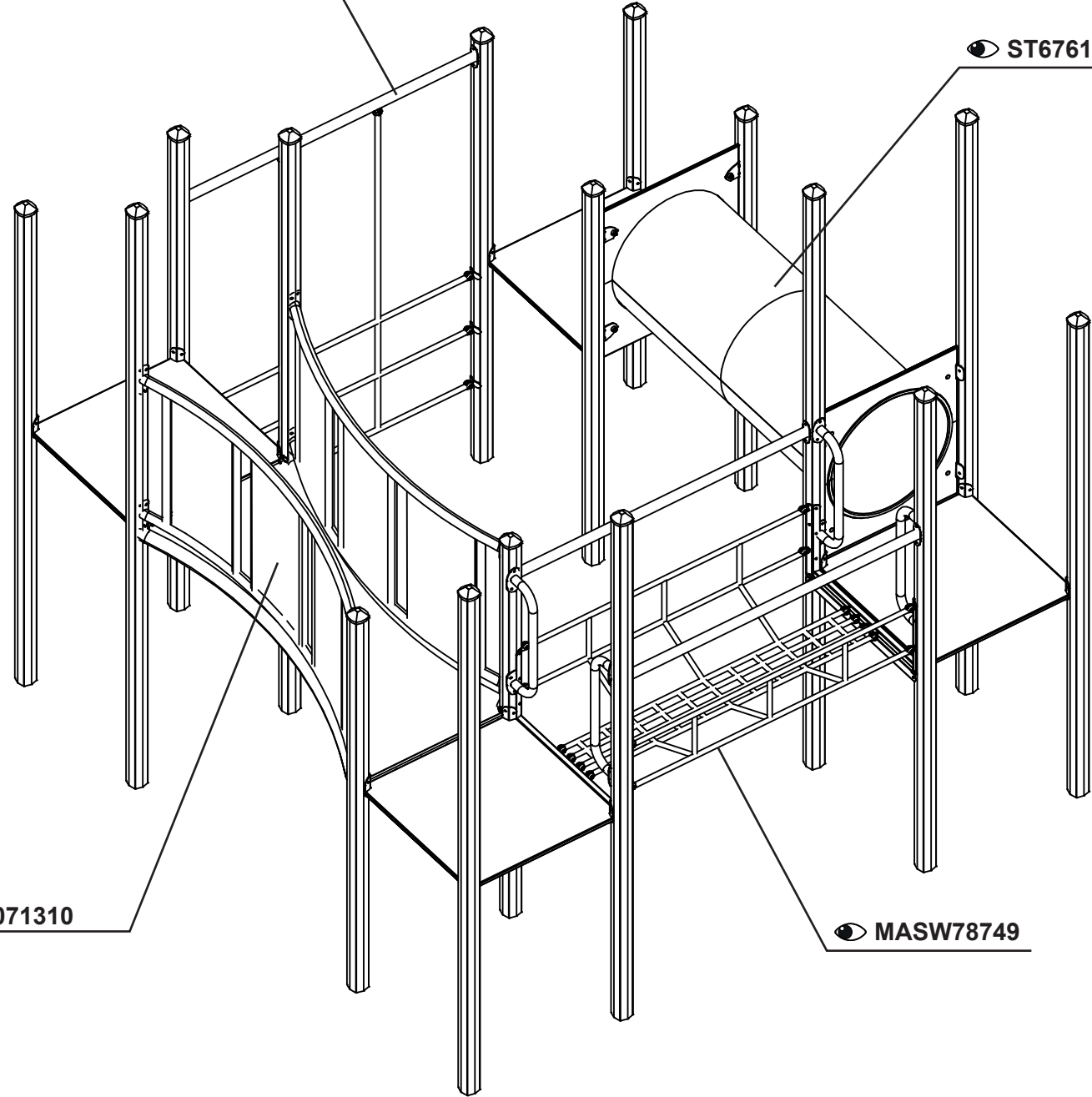


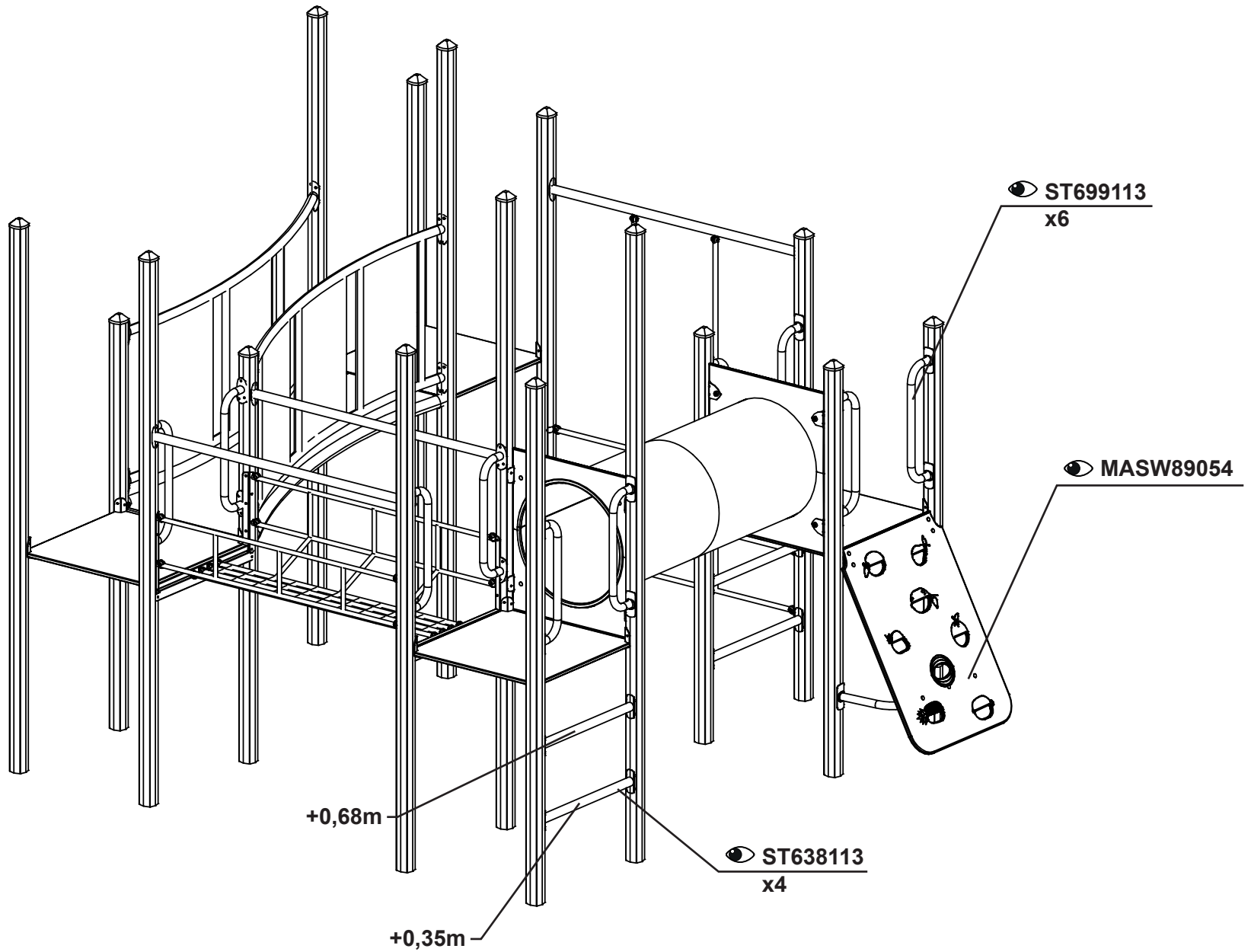
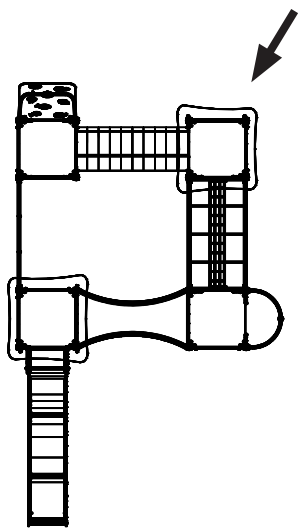
● MASW78855

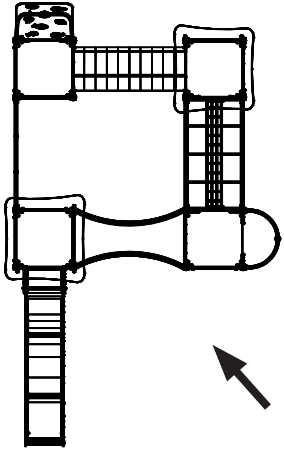
● ST676106

● 65071310

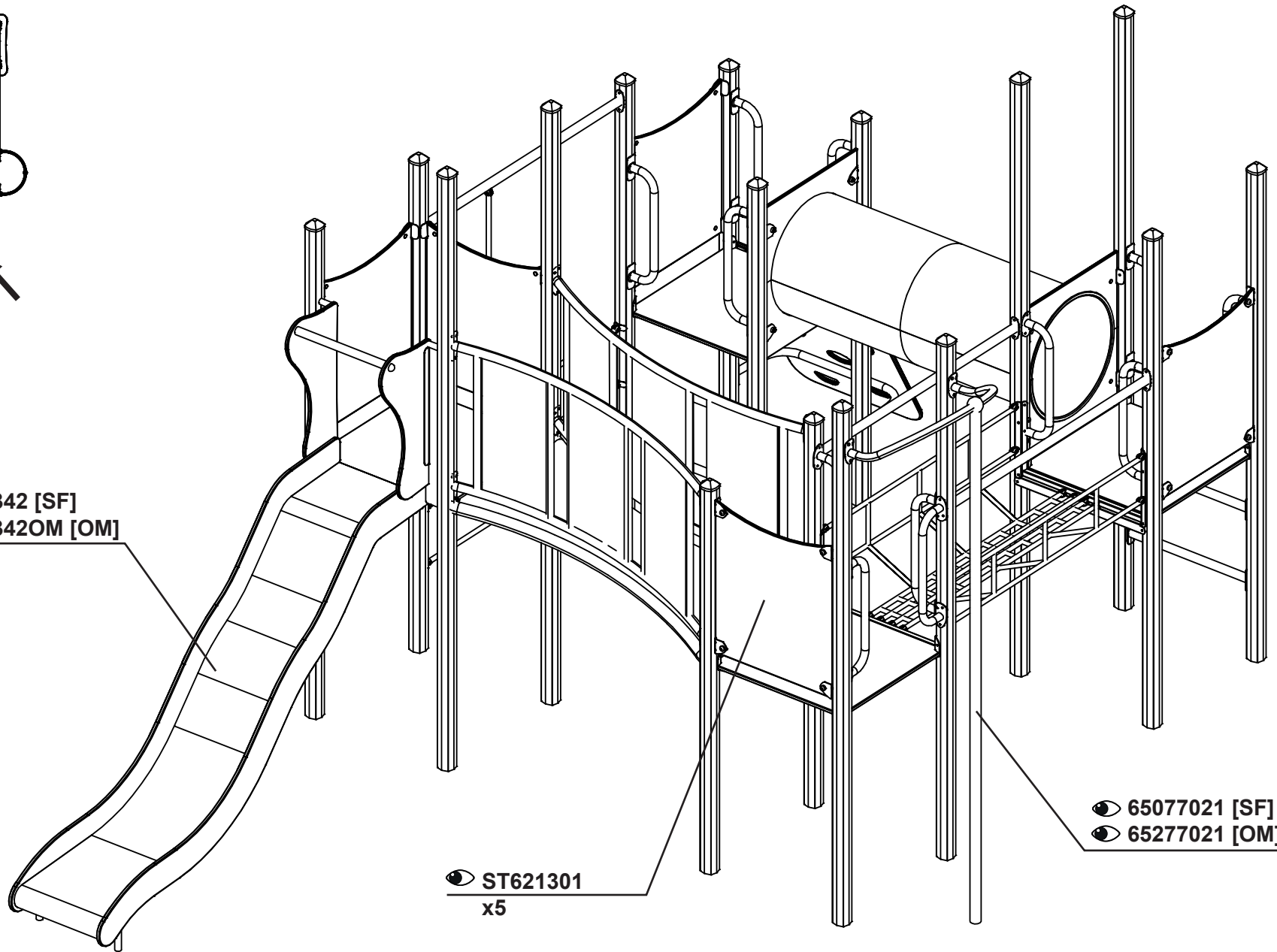
● MASW78749







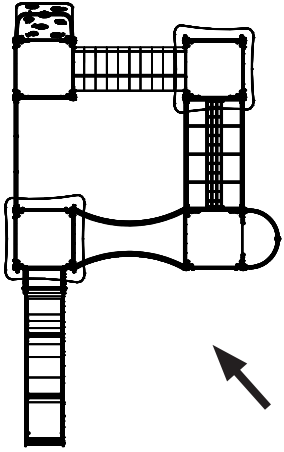
- ST6342 [SF]
- ST6342OM [OM]



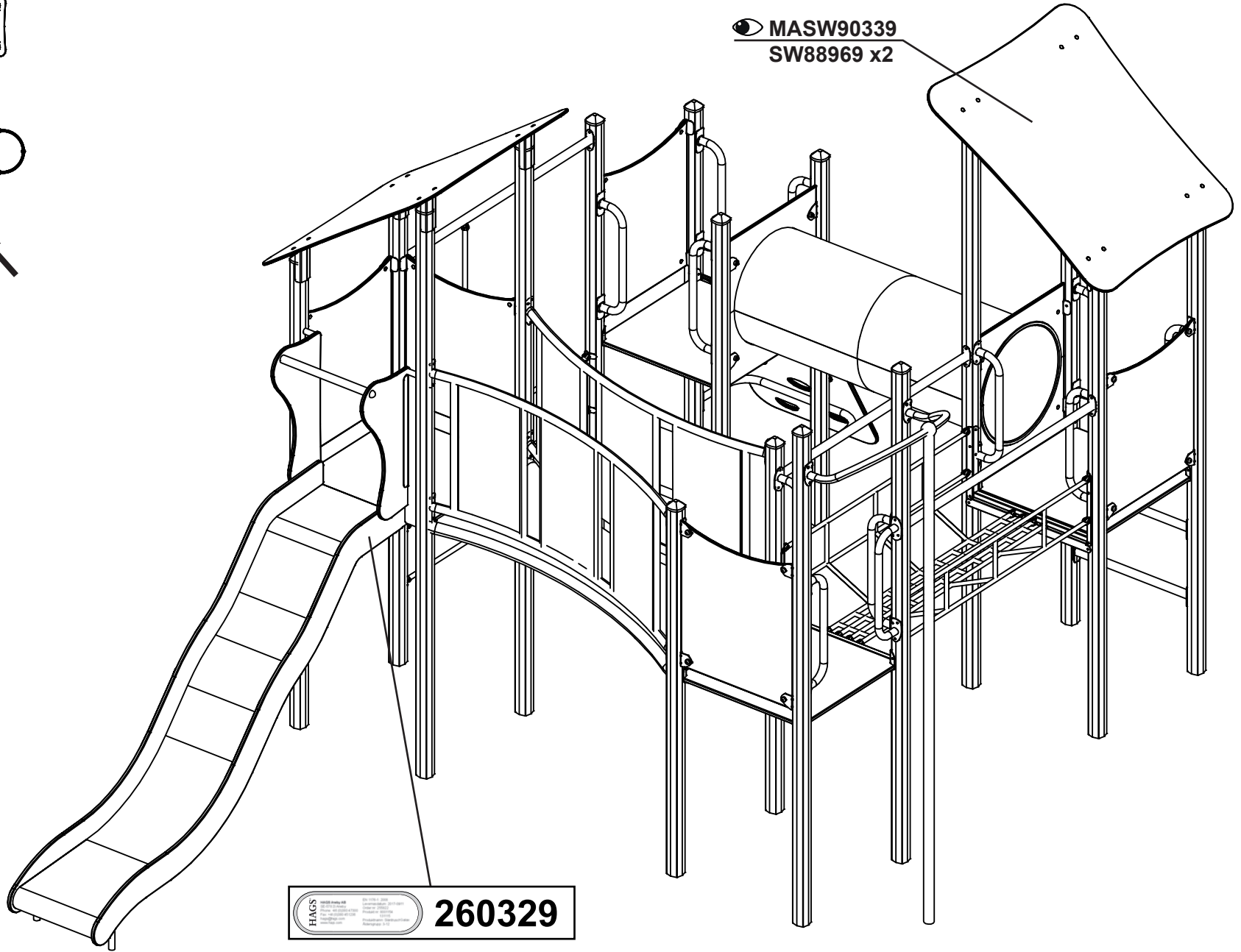
- ST621301  
x5

- 65077021 [SF]
- 65277021 [OM]





MASW90339  
SW88969 x2



HAGS 10000 Pkwy. Rd. 10000 Pkwy. Rd. 10000 Pkwy. Rd. 10000 Pkwy. Rd.	260329 260329 260329 260329

**260329**