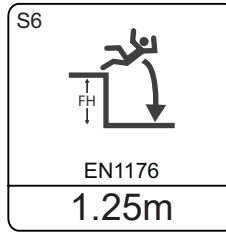
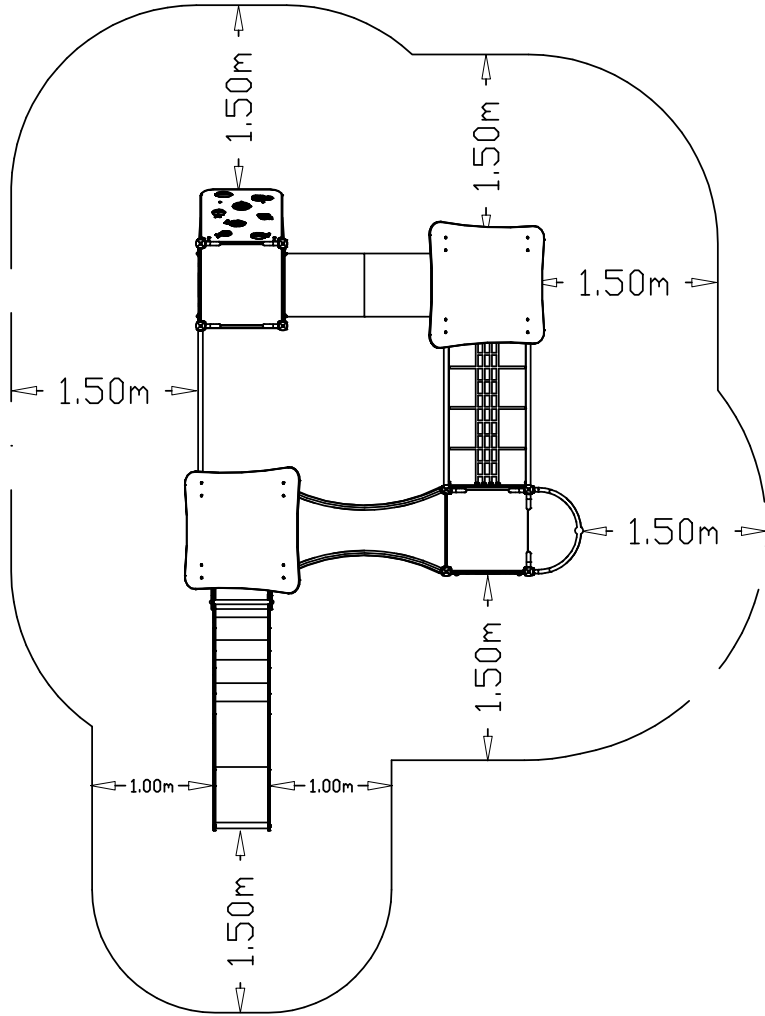


EN 1176

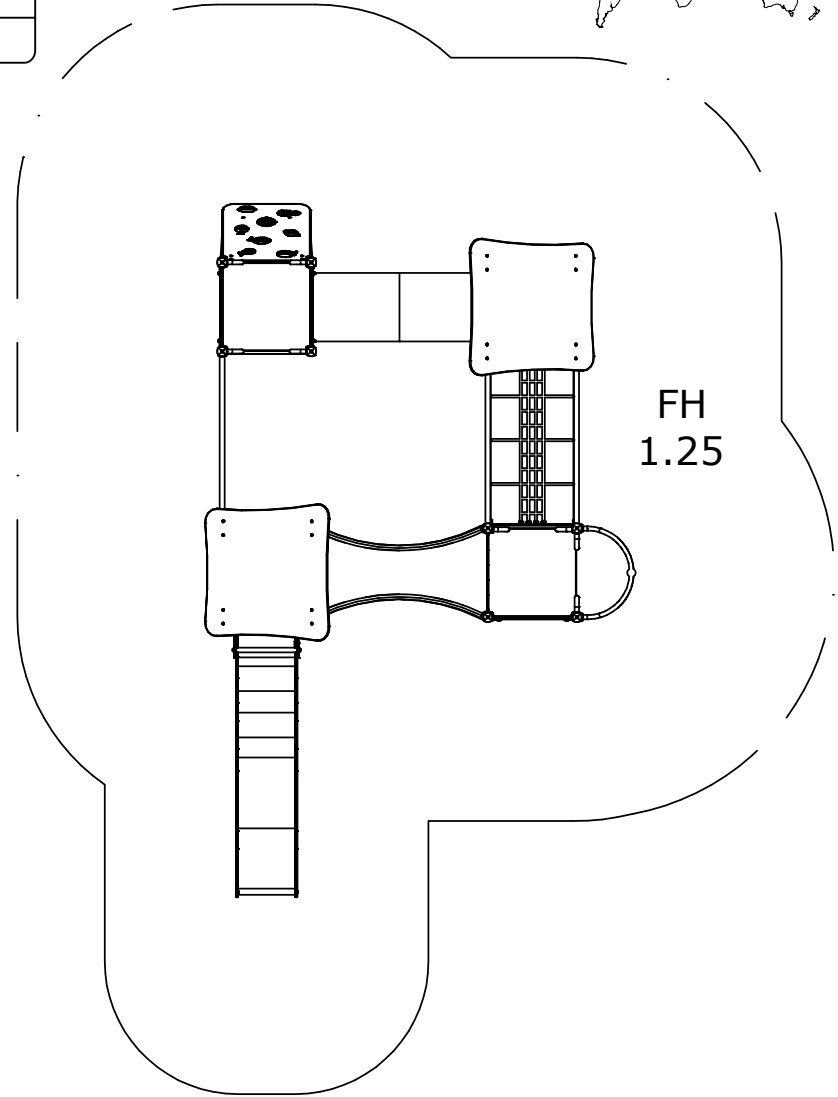


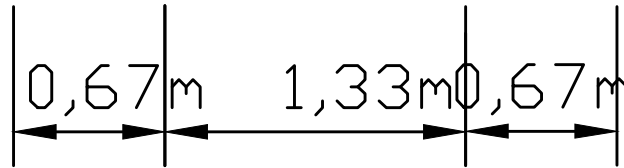
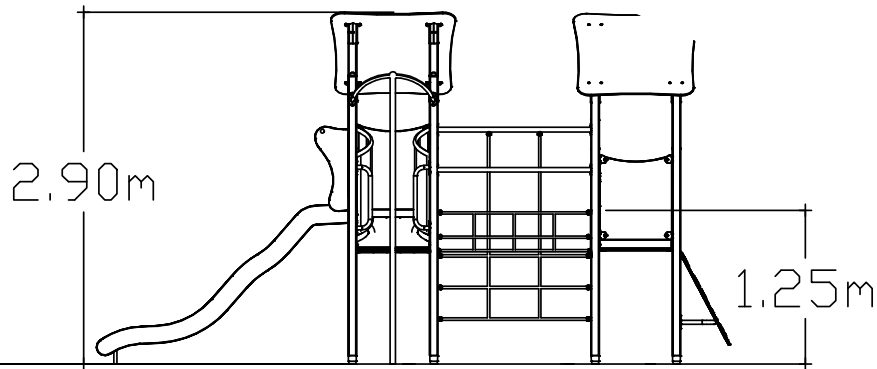
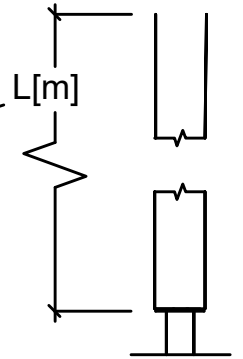
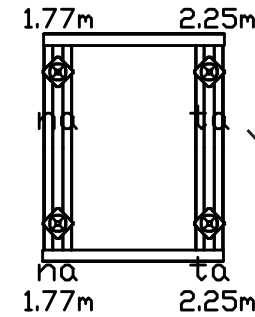
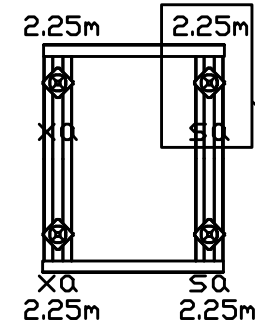
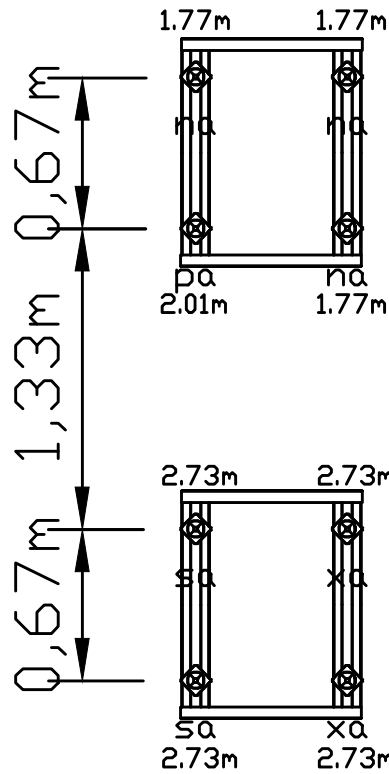
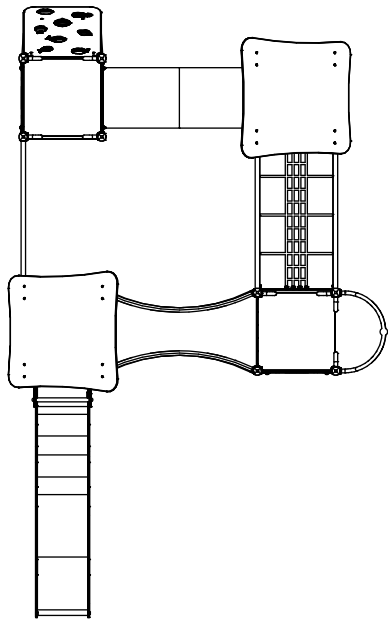
6.15m

3.25m

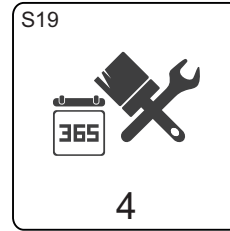
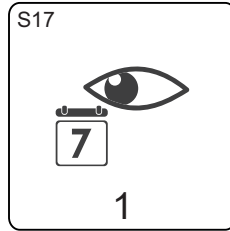
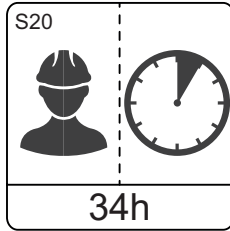
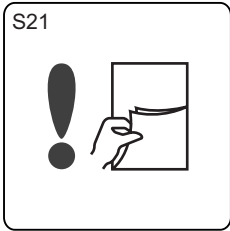


5.20m  
8.20m

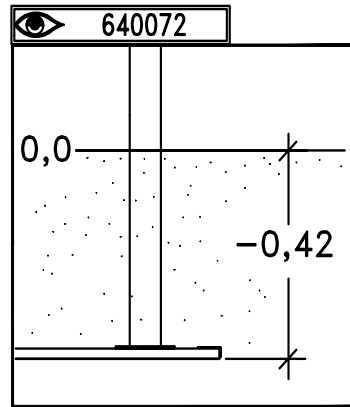




6084 01

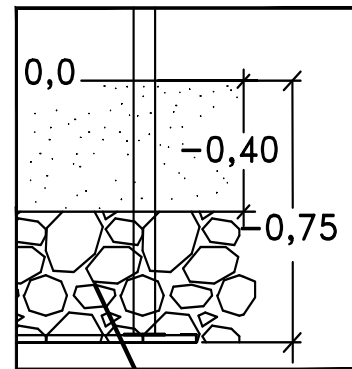


**260329**  
**621301**  
**638113**  
**676106**  
**62071310**  
**62099113**  
**608401**  
**62077021 [SF]**  
**62277021 [OM]**  
**6342 [SF]**  
**OM642082**  
**6101**  
**MASW78431**  
**MASW78749**  
**MASW78855**  
**MASW90339**  
**OM6342 [OM]**



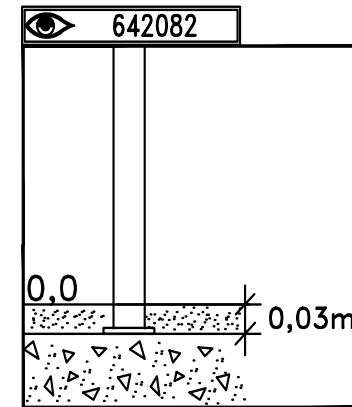
**SF**  
**Sunken Foundation**

8077970  
 8105699  
 80 \_\_\_\_\_  
 80 \_\_\_\_\_



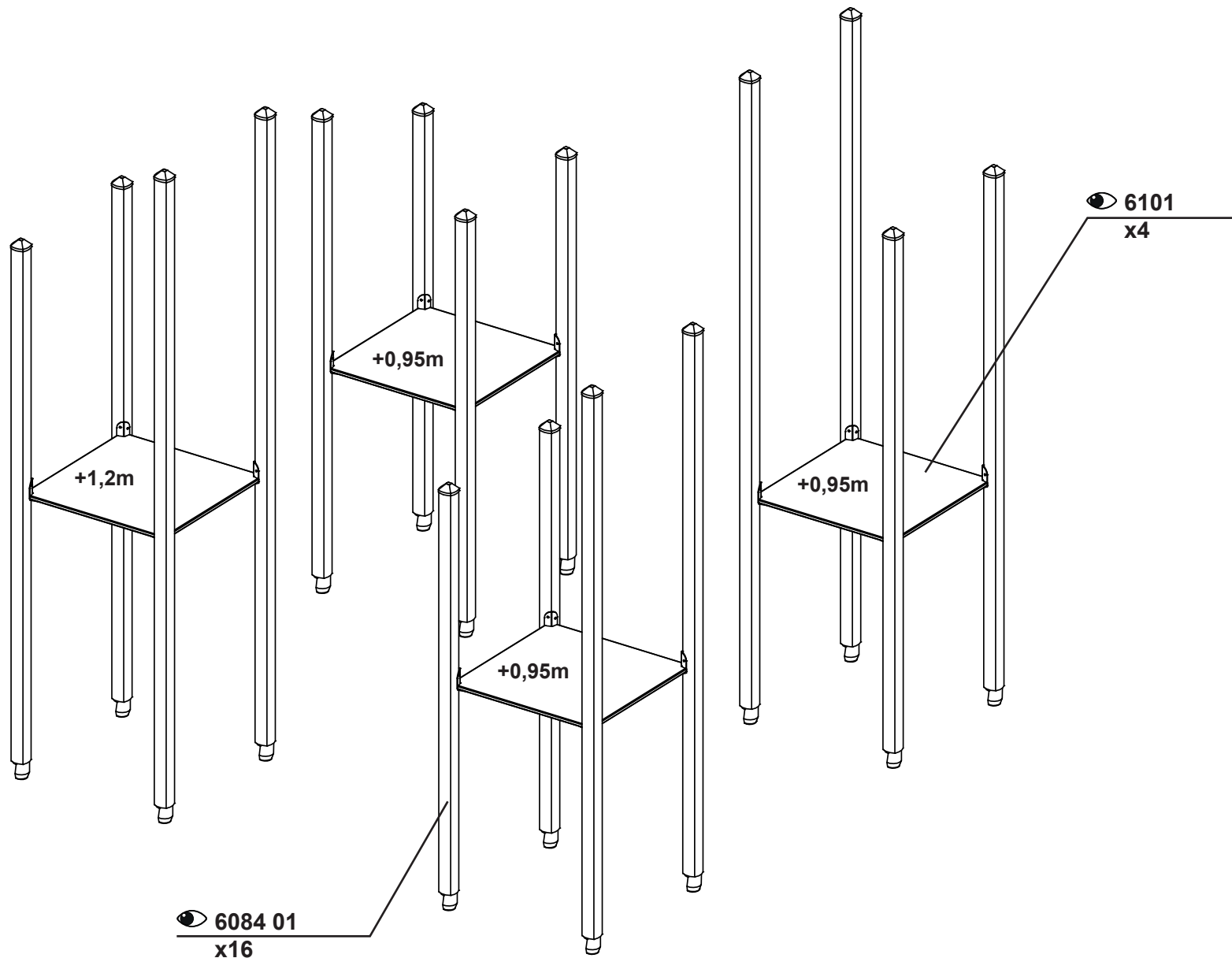
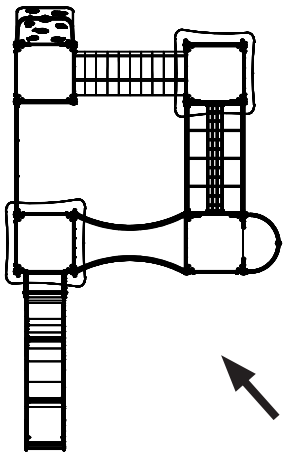
**BM**  
**Loosefill**

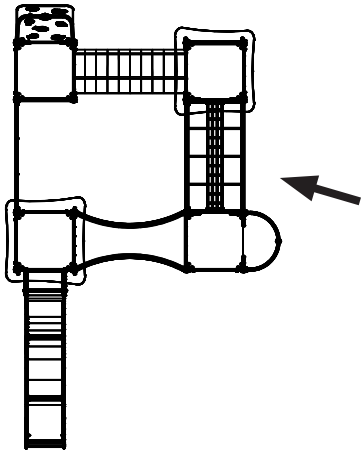
80 \_\_\_\_\_  
 80 \_\_\_\_\_  
 80 \_\_\_\_\_  
 80 \_\_\_\_\_



**OM**  
**Above Ground**

8105697  
 80 \_\_\_\_\_  
 80 \_\_\_\_\_  
 80 \_\_\_\_\_



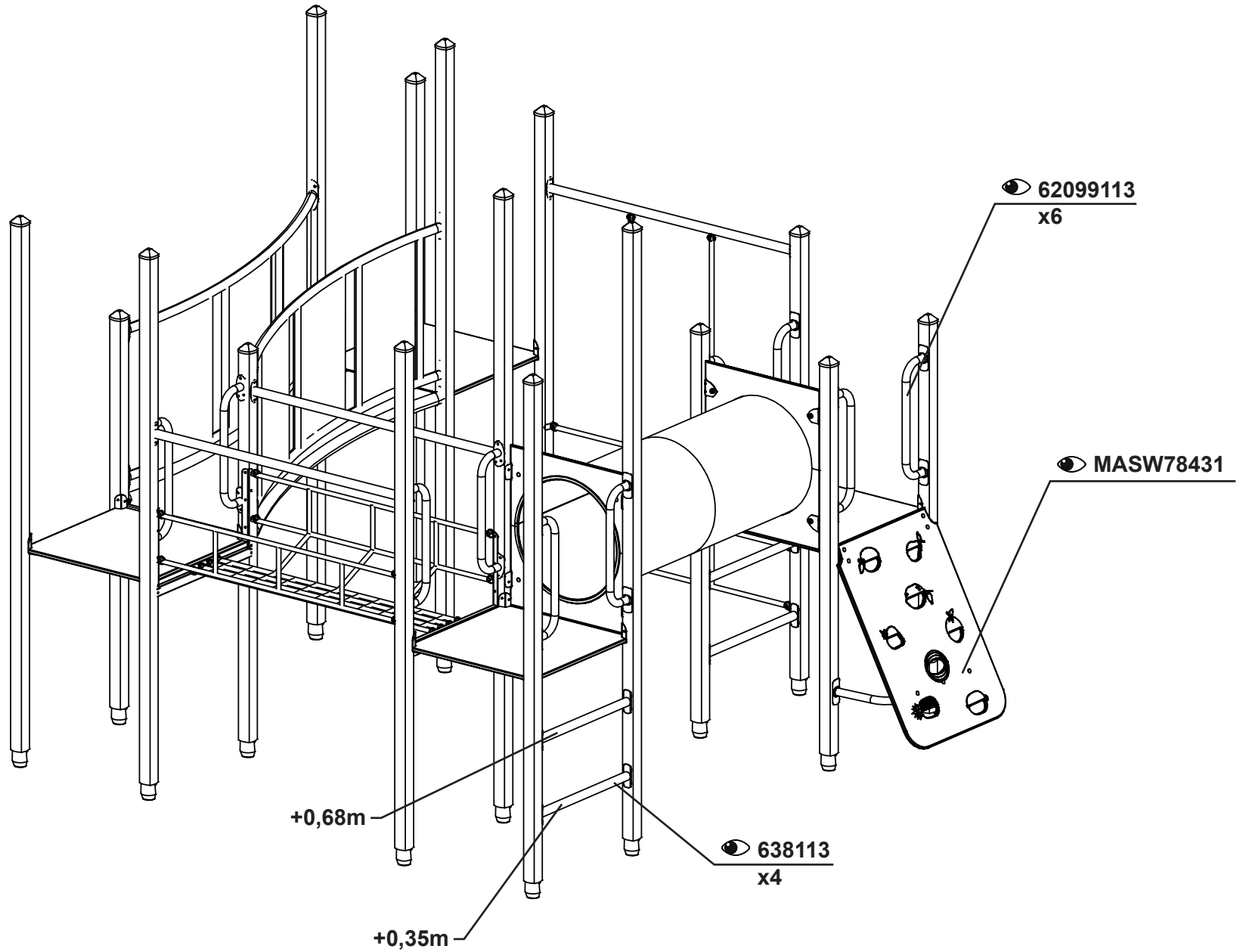
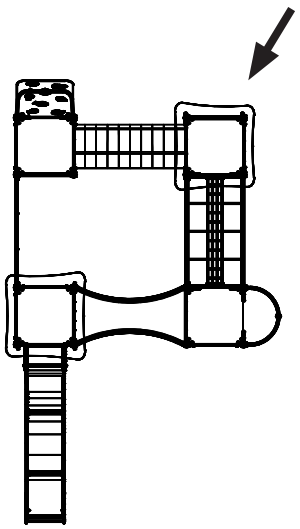


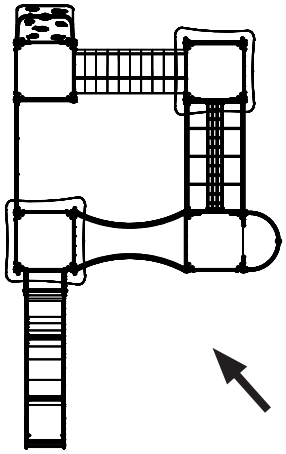
● MASW78855

● 676106

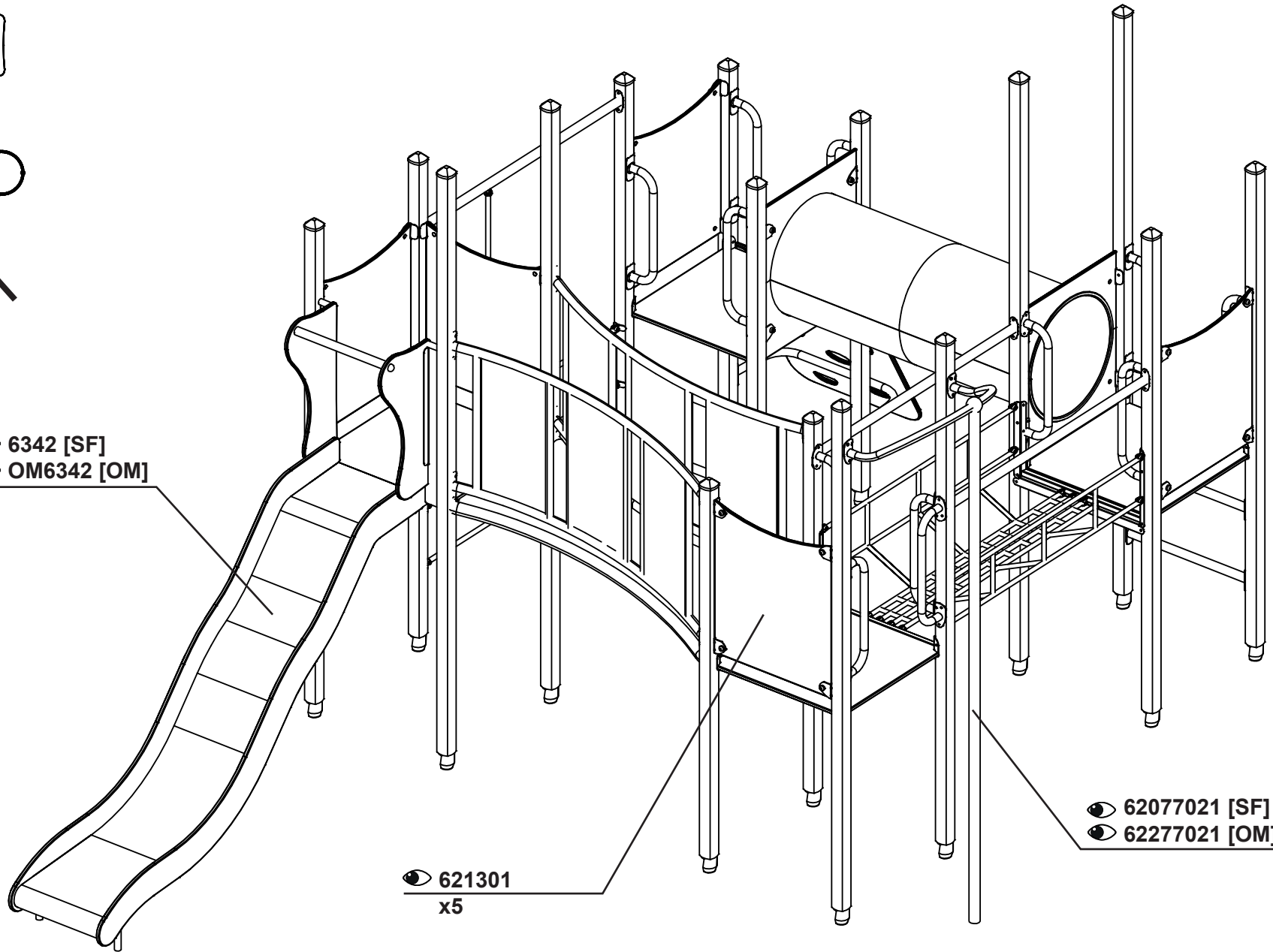
● 62071310

● MASW78749





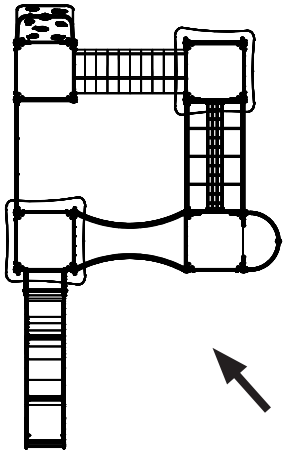
● 6342 [SF]  
● OM6342 [OM]



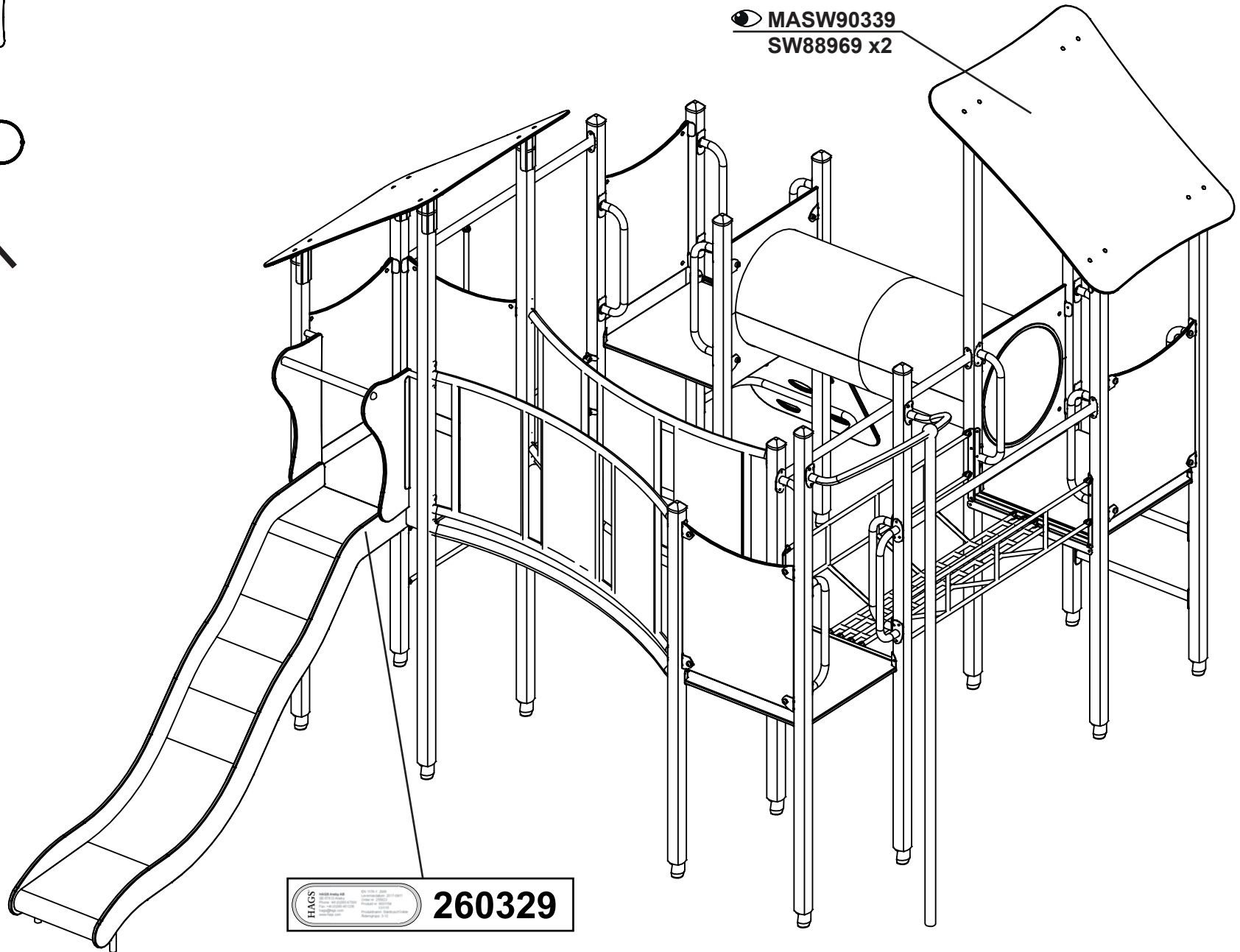
● 621301  
x5

● 62077021 [SF]  
● 62277021 [OM]





MASW90339  
SW88969 x2



HAGS  
260329