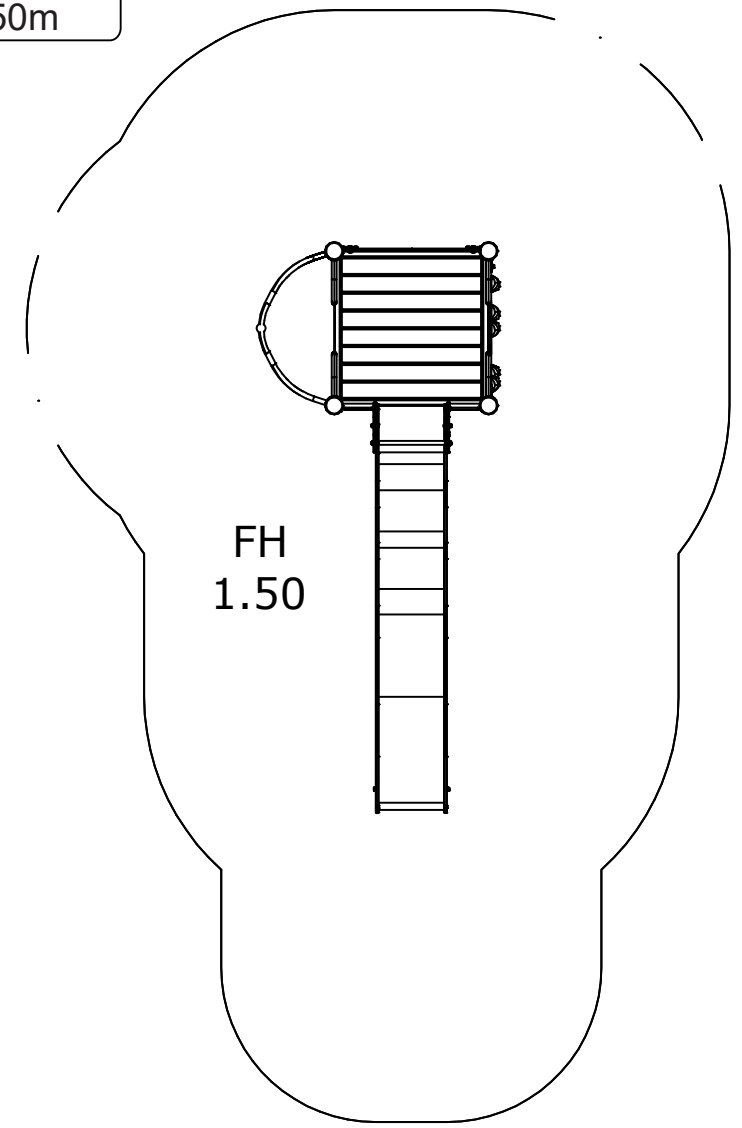
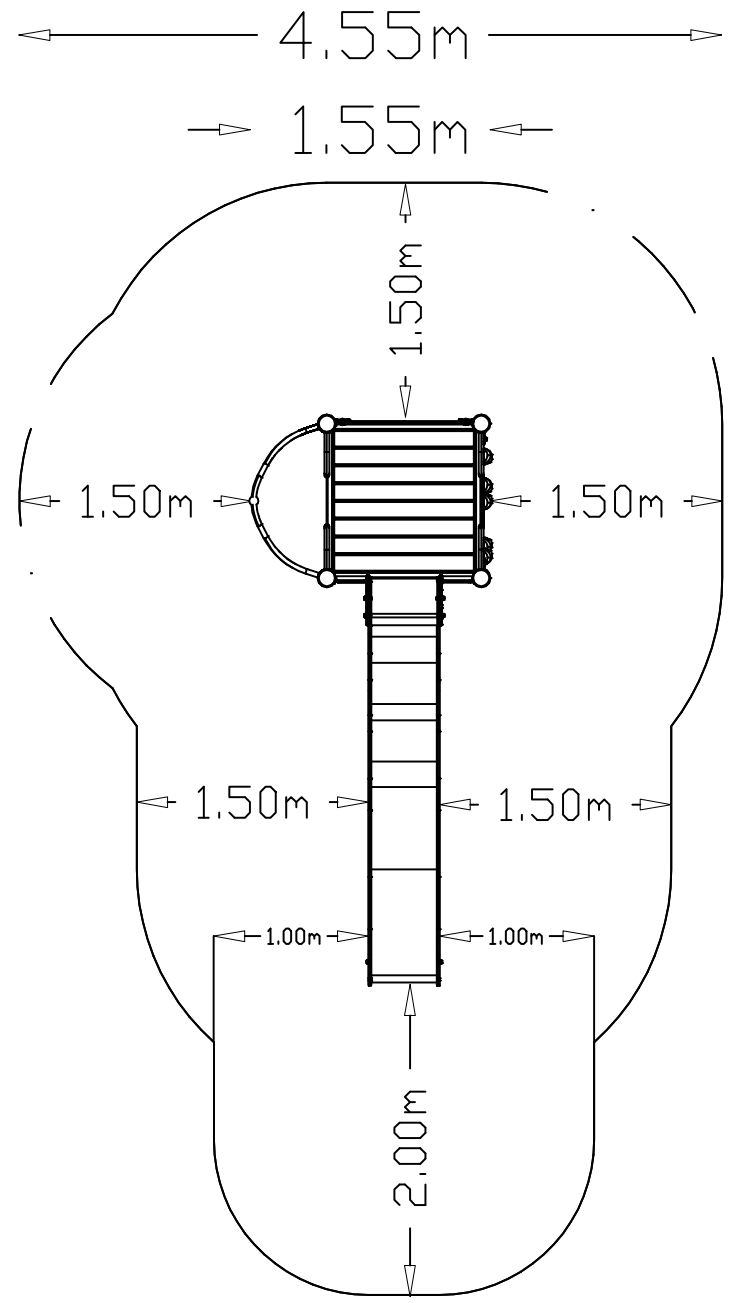
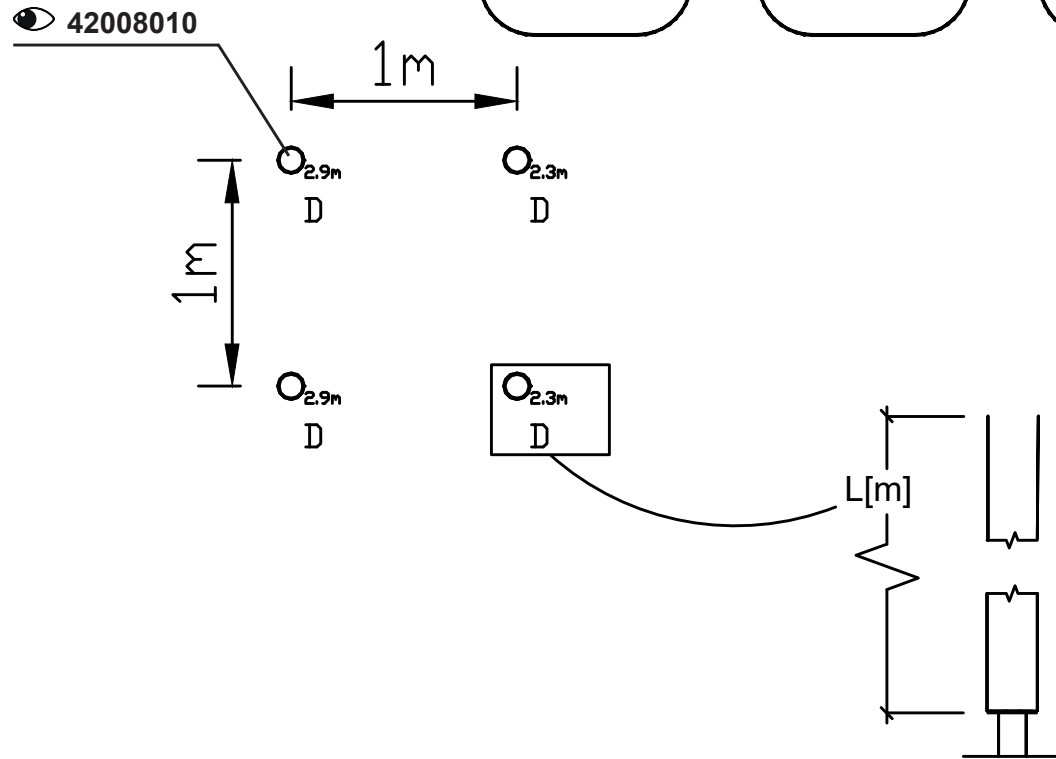
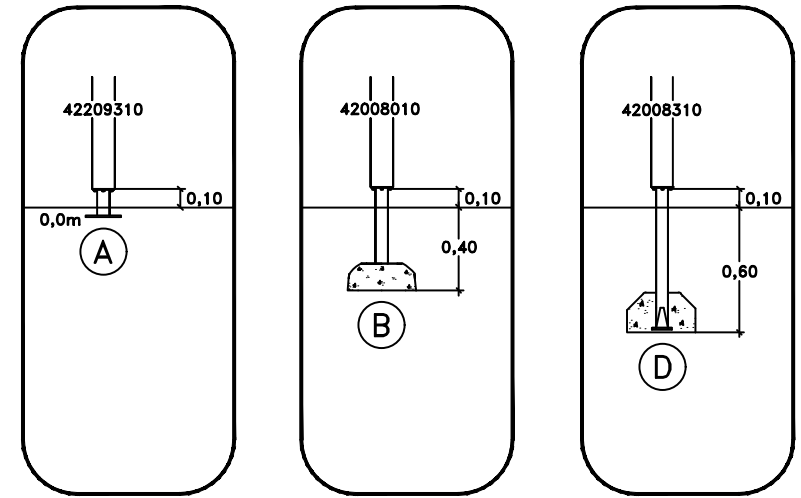
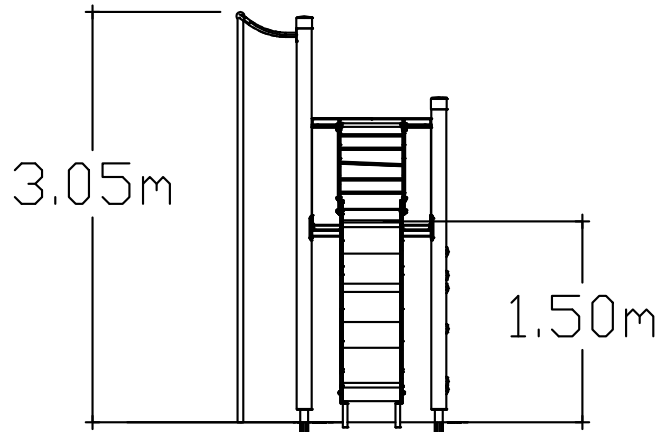
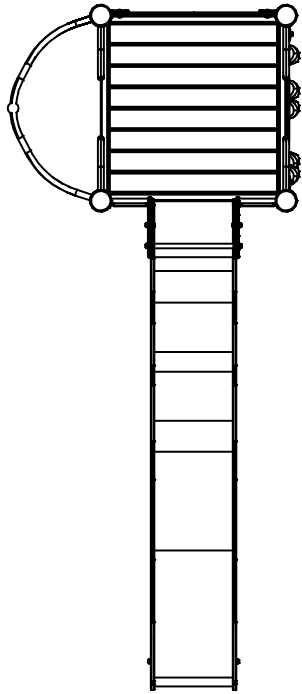


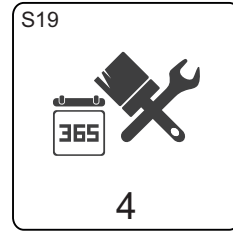
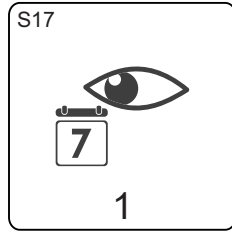
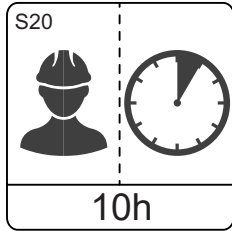
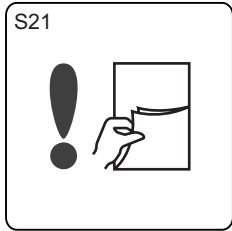


S6

EN1176  
1.50m

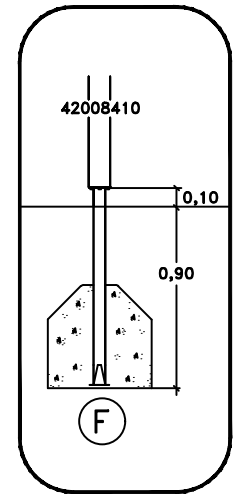
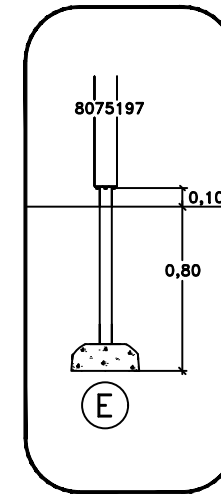
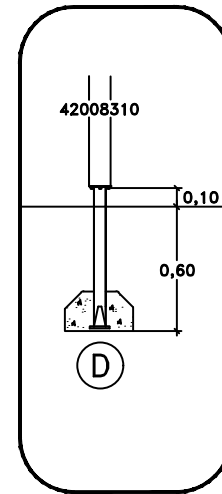
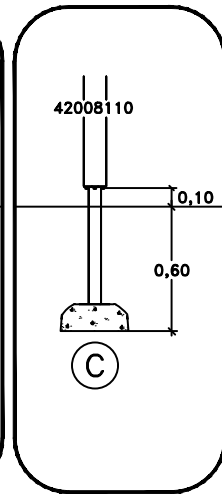
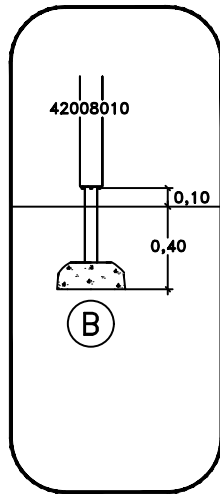
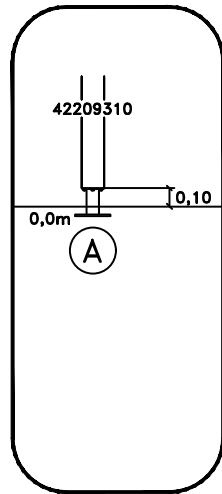






**260329**  
**4203**  
**423211 [SF]**  
**422212 [BM]**  
**424212 [OM]**  
**42077010 [SF]**  
**42477010 [BM]**  
**42277010 [OM]**  
**MASW42193**  
**MA450994**  
**MA426121**  
**MASW39775**  
**448000**  
**42008010**

42008010



**OM**  
**Above Ground**

8105808  
80 \_\_\_\_\_  
80 \_\_\_\_\_  
80 \_\_\_\_\_

**SF**  
**Sunken Foundation**

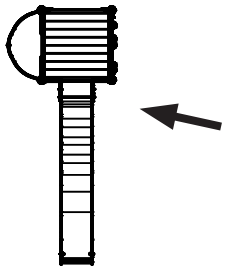
8105812  
80 \_\_\_\_\_  
80 \_\_\_\_\_  
80 \_\_\_\_\_

**CC**  
**Cast In Place**

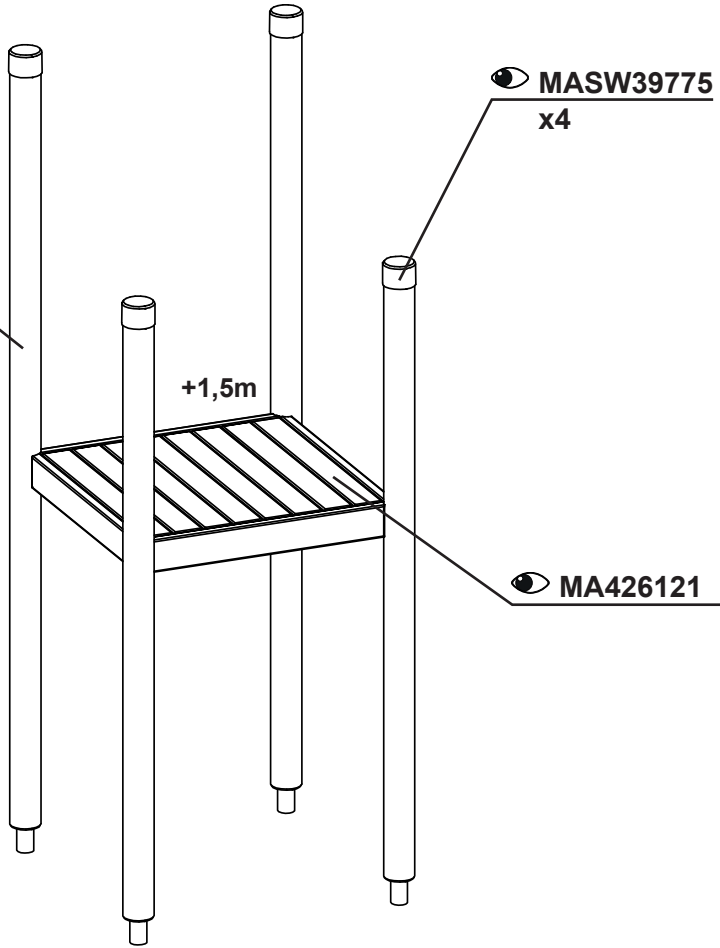
8077980  
8105802  
80 \_\_\_\_\_  
80 \_\_\_\_\_

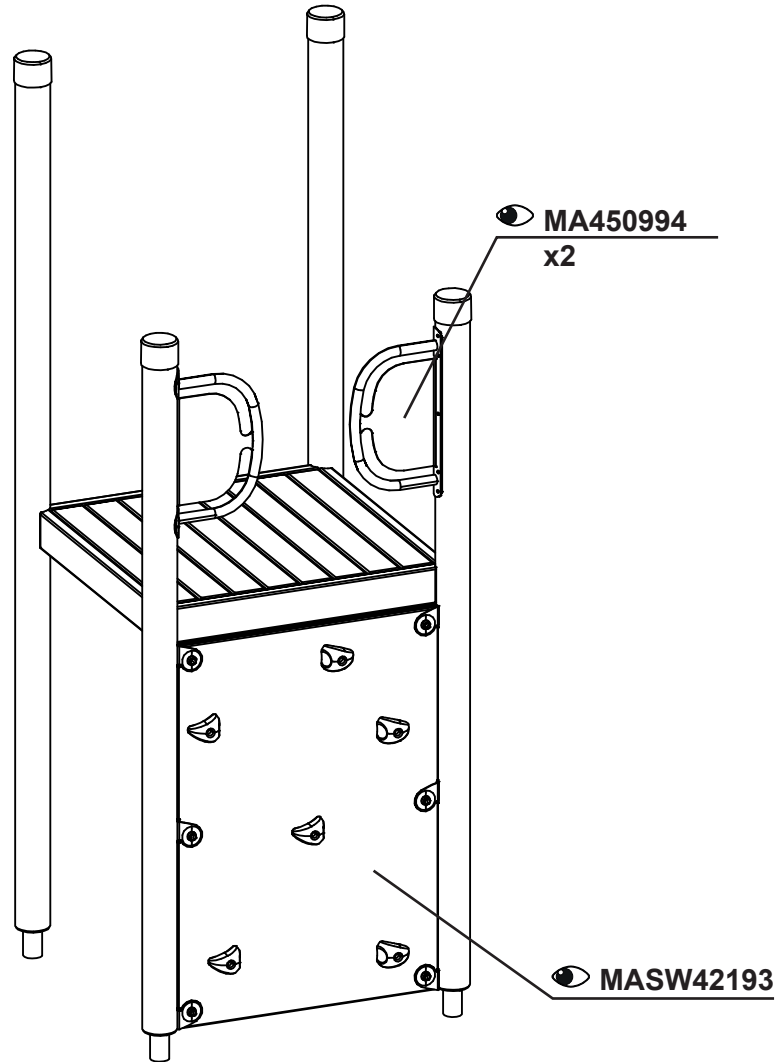
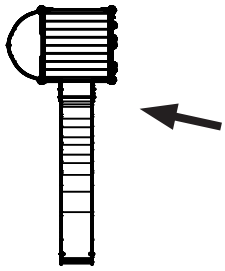
**BM**  
**Loosefill**

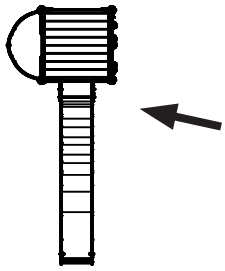
80 \_\_\_\_\_  
80 \_\_\_\_\_  
80 \_\_\_\_\_  
80 \_\_\_\_\_



448000  
x4

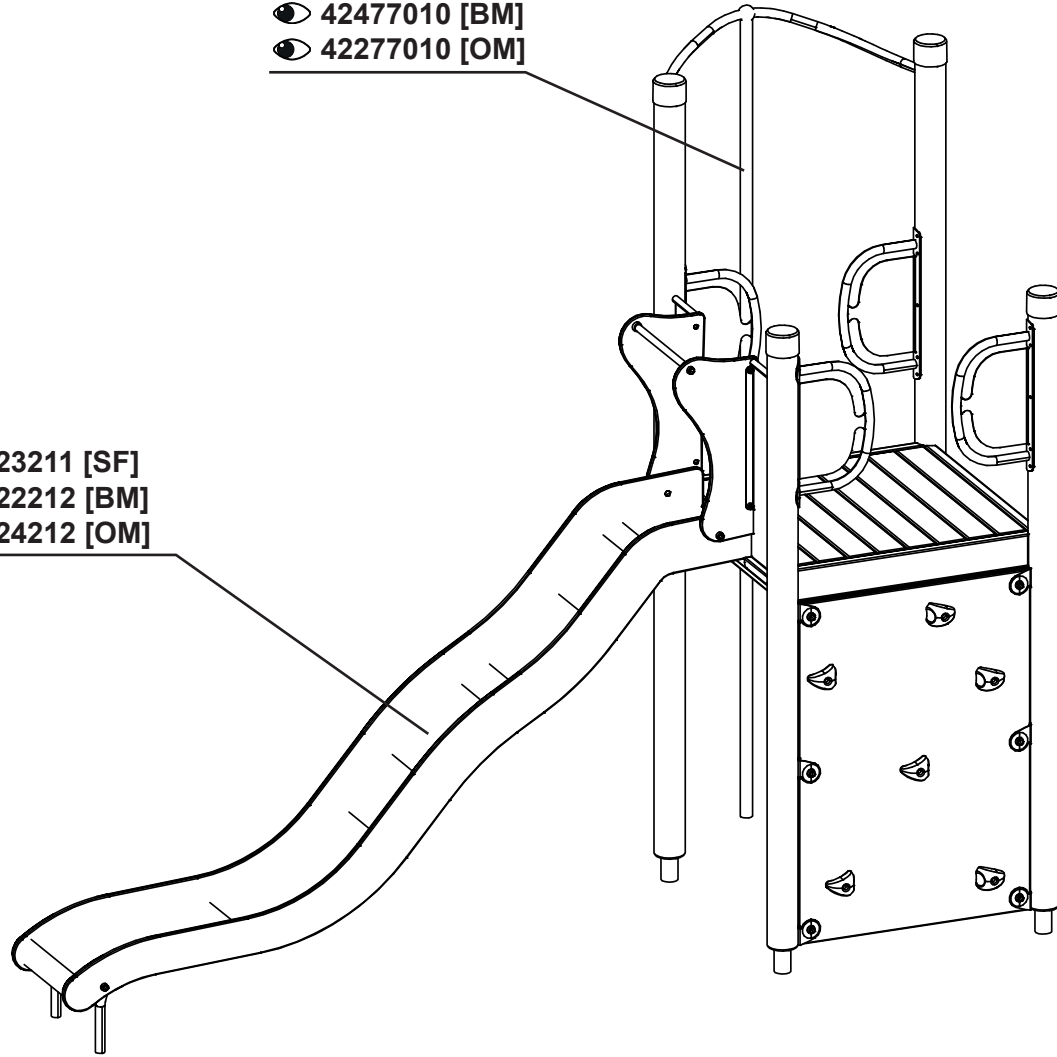


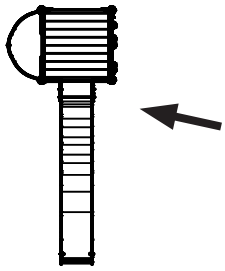




- 42077010 [SF]
- 42477010 [BM]
- 42277010 [OM]

- 423211 [SF]
- 422212 [BM]
- 424212 [OM]





**260329**

**4203**

