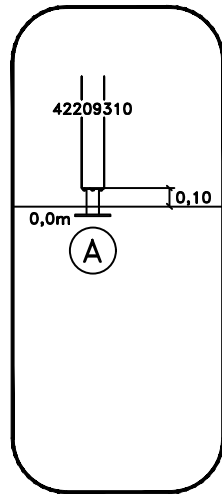


4203
260329
448000
42008010
42060520
42077010 [SF]
422212 [BM]
42277010 [OM]
423211 [SF]
424212 [OM]
42477010 [BM]
MA420994
MA426121
MASW39775
MASW42193
MASW78438

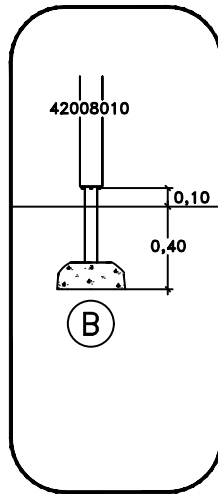
42008010



OM

Above Ground

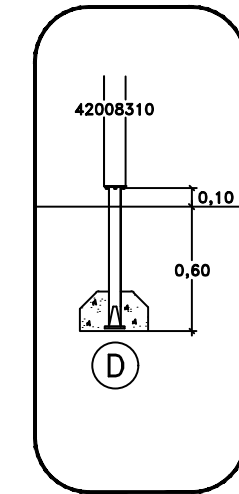
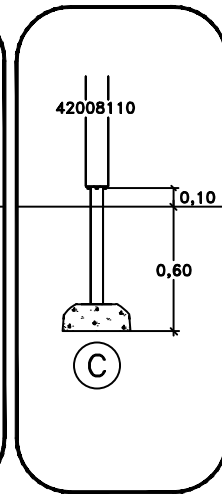
8105880
 80 _____
 80 _____
 80 _____
 80 _____



SF

Sunken Foundation

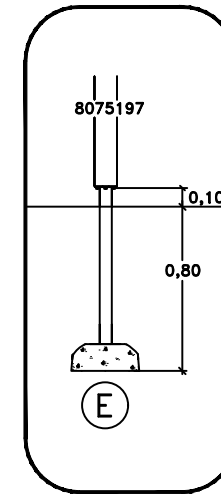
8105883
 80 _____
 80 _____
 80 _____
 80 _____



CC

Cast In Place

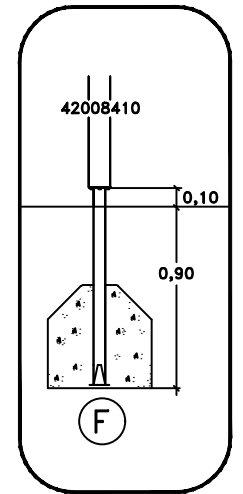
8077982
 8105877
 80 _____
 80 _____

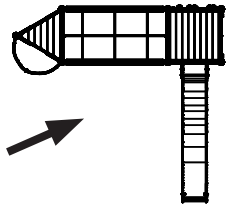


BM

Loosefill

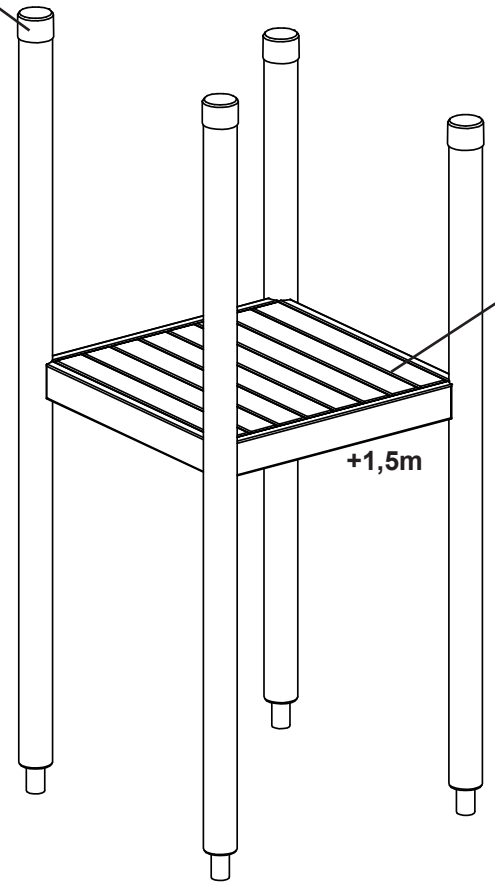
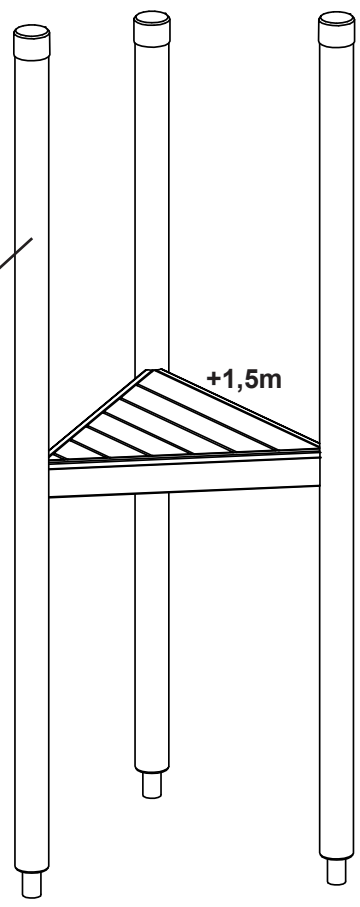
80 _____
 80 _____
 80 _____
 80 _____





👁 MASW39775
x7

👁 448000
x7



👁 MA426121
x2

