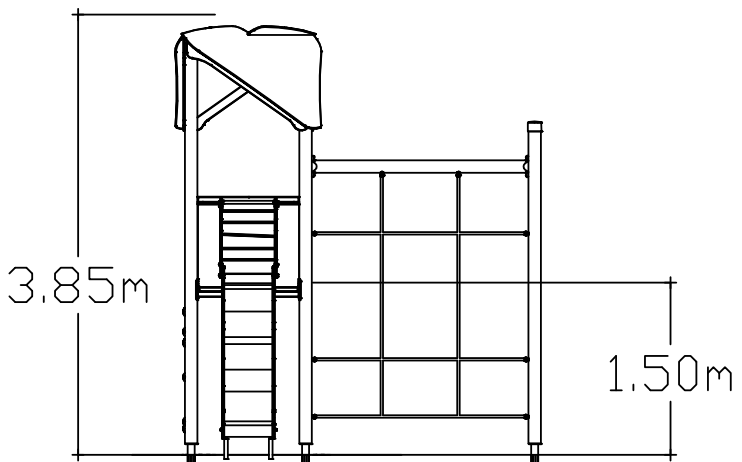
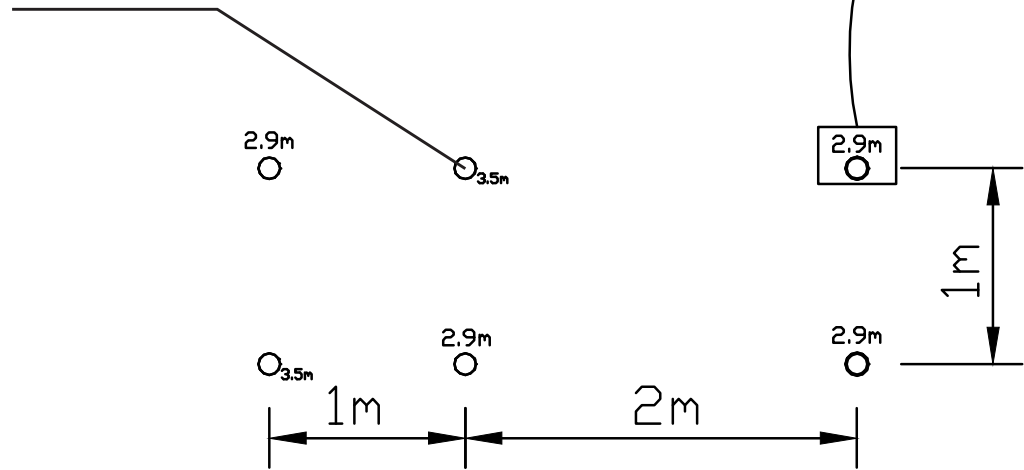
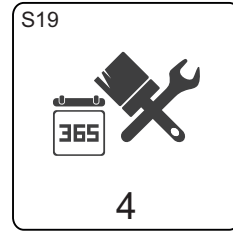
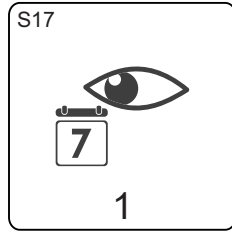
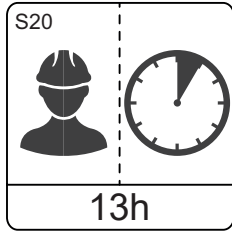
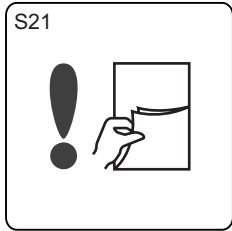


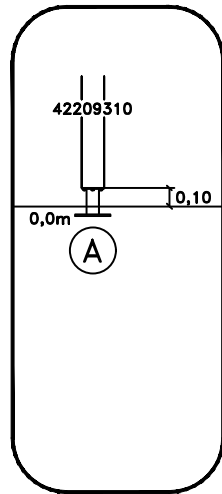
42008010





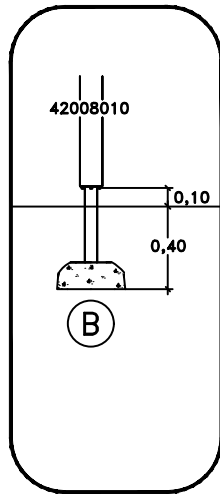
4203
260329
448000
42008010
42060310
422212 [BM]
423211 [SF]
424212 [OM]
MA426121
MA45060520
MA450994
MA62694
MASW39775
MASW42193
MASW78734

42008010



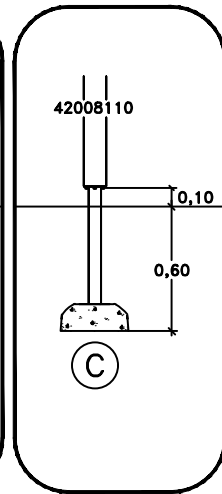
OM
Above Ground

8105905
 80 _____
 80 _____
 80 _____
 80 _____



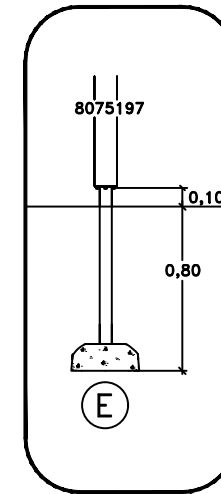
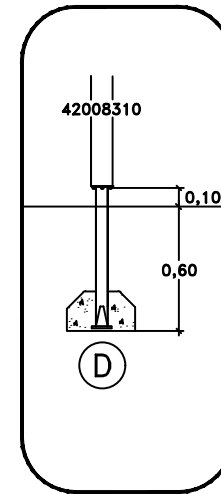
SF
Sunken Foundation

8105907
 80 _____
 80 _____
 80 _____
 80 _____



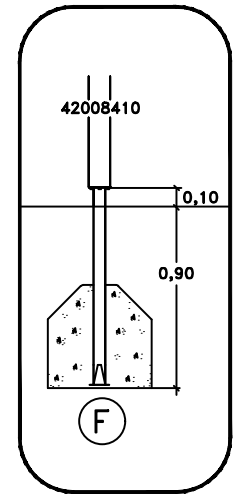
CC
Cast In Place

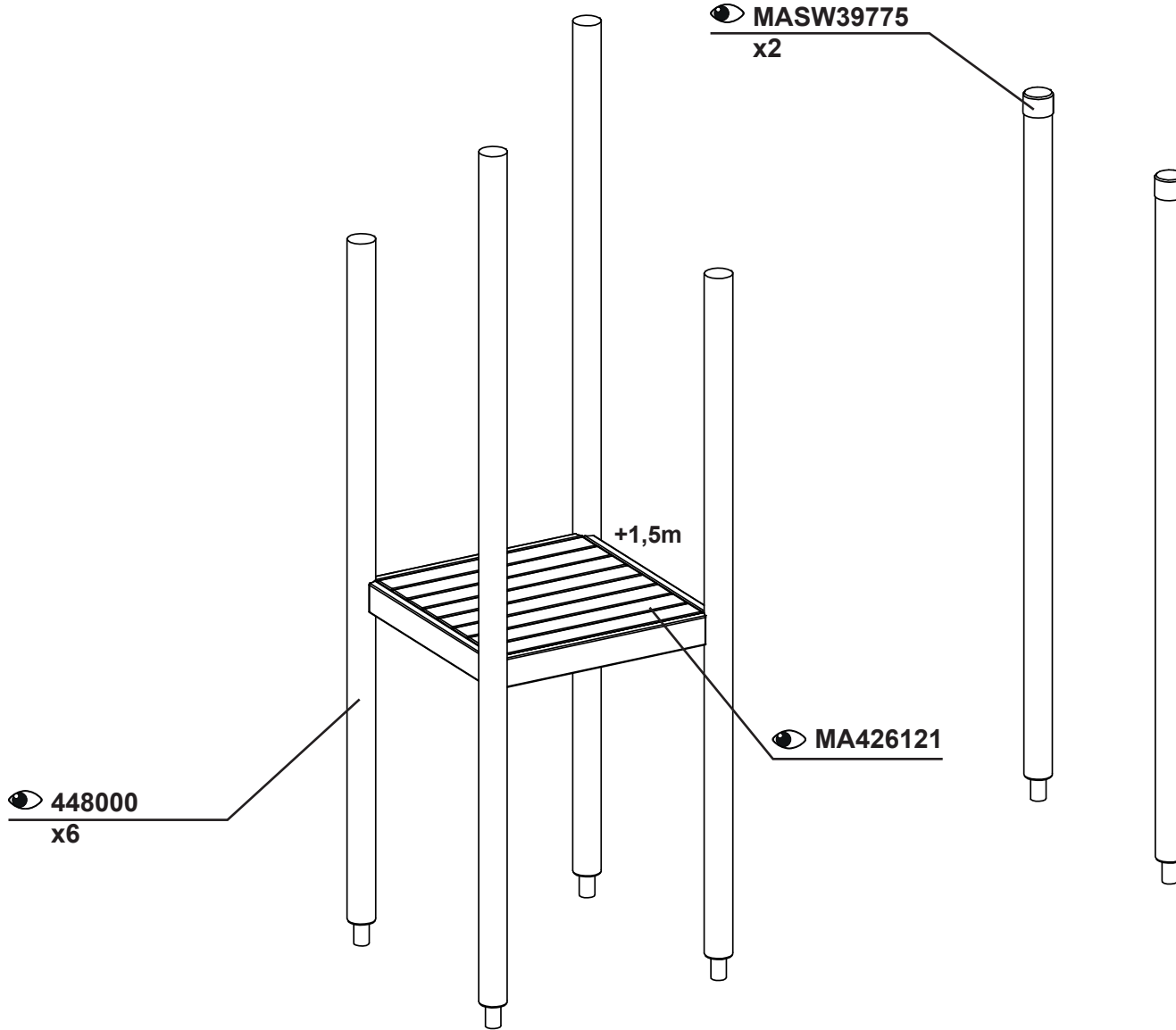
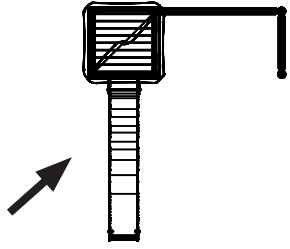
8077984
 8105903
 80 _____
 80 _____

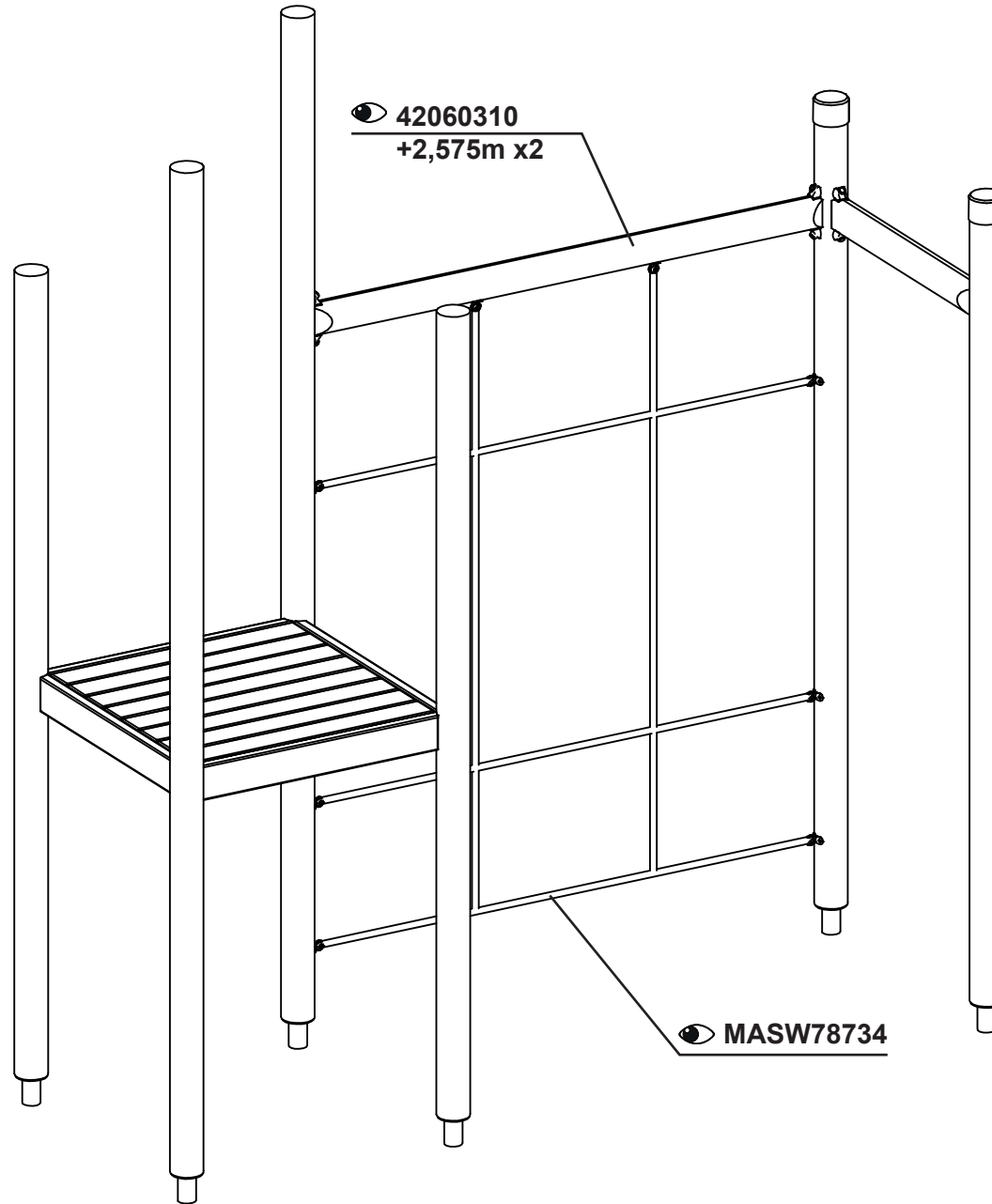
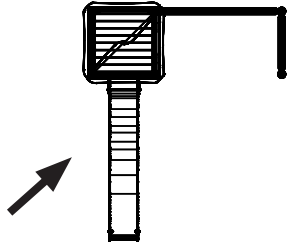


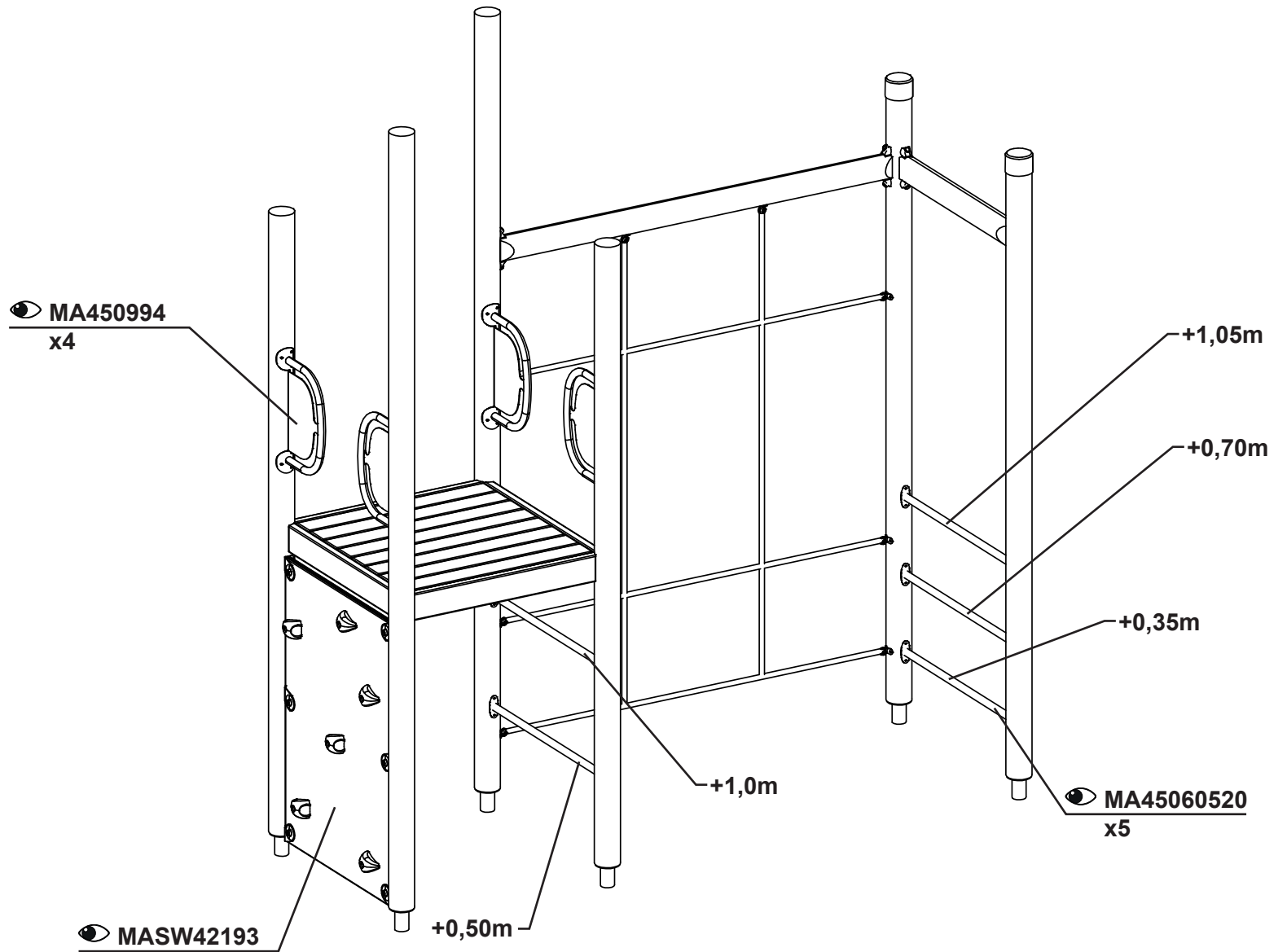
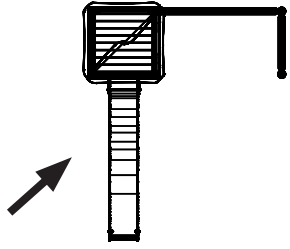
BM
Loosefill

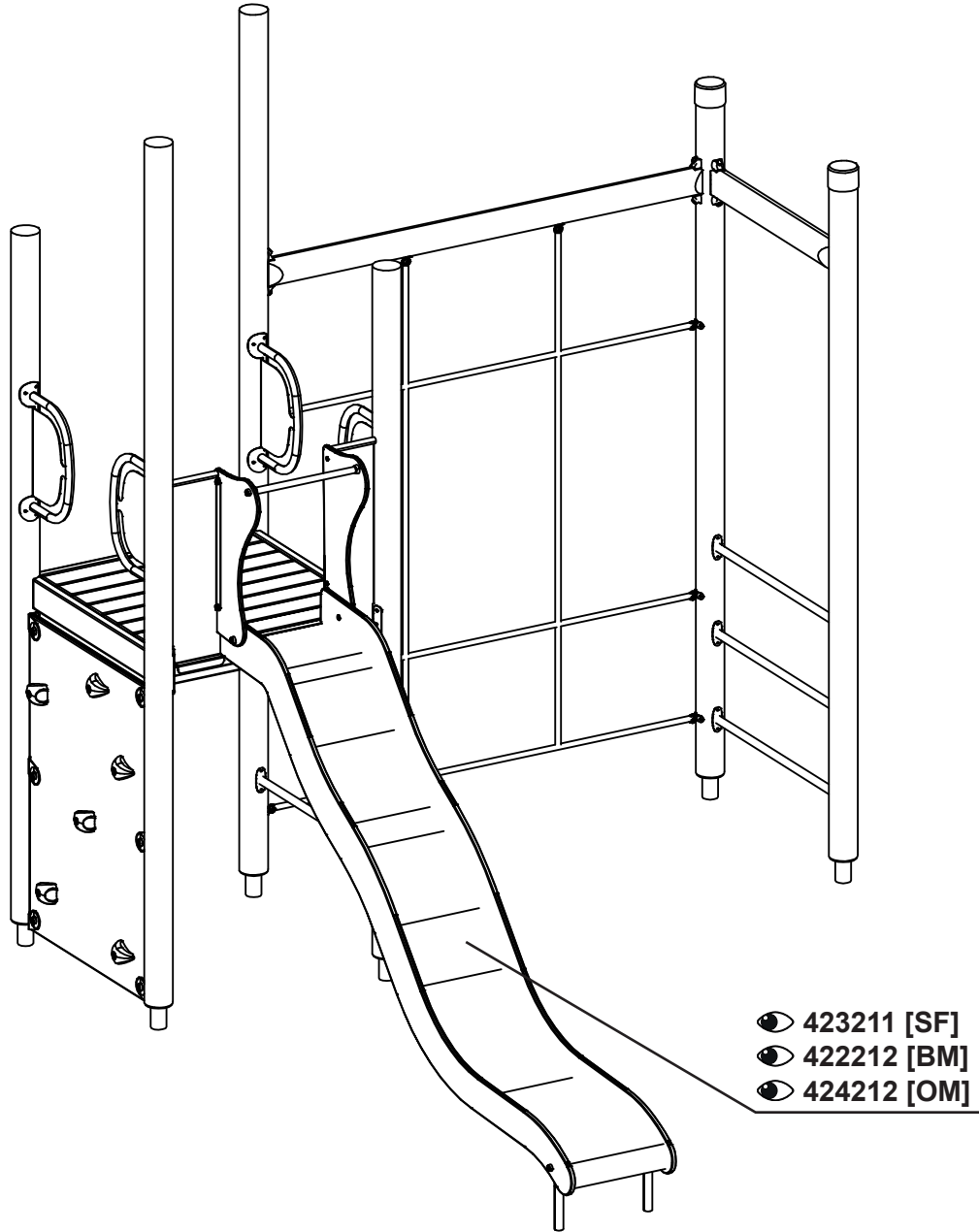
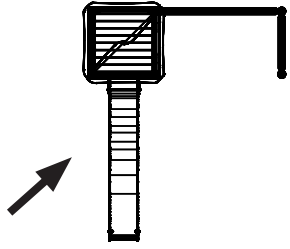
80 _____
 80 _____
 80 _____
 80 _____

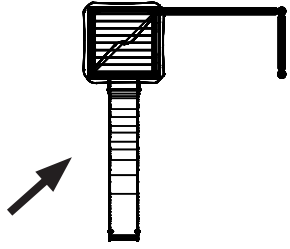












4203

MA62694

