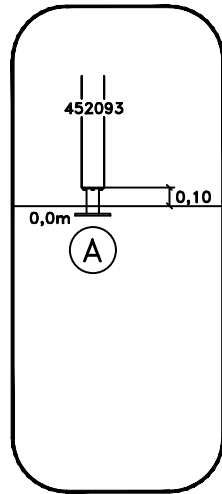


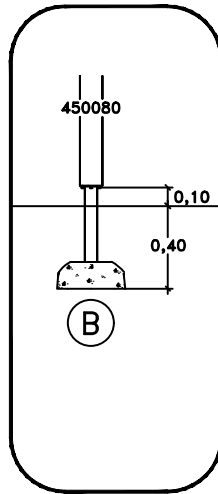
260329
441000
42008010
MA45060520
MA45077010 [SF]
MA450994
MA452213 [OM]
MA45277010 [OM]
MA453213 [SF]
MA454213 [BM]
MA45477010 [BM]
MASW36415
MASW38904
MASW39775
MASW42193
MASW53817
MASW63820
MASW78438
ST4203

42008010



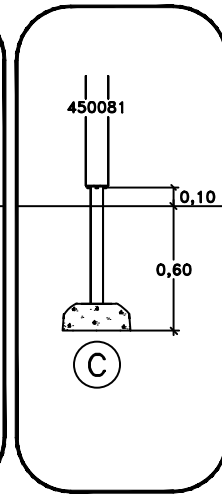
OM
Above Ground

8105924
80 _____
80 _____
80 _____
80 _____



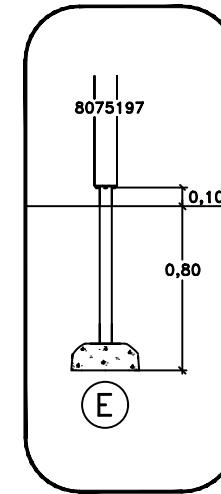
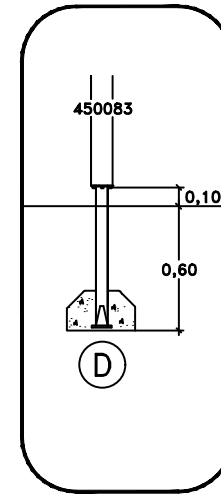
SF
Sunken Foundation

8105927
80 _____
80 _____
80 _____
80 _____



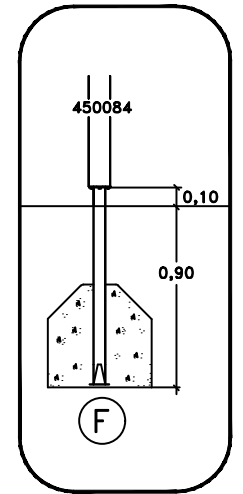
CC
Cast In Place

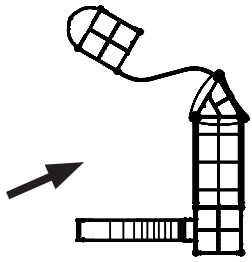
8077985
8105909
80 _____
80 _____



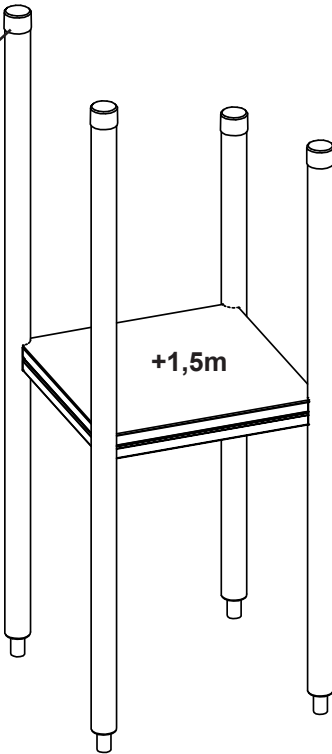
BM
Loosefill

80 _____
80 _____
80 _____
80 _____

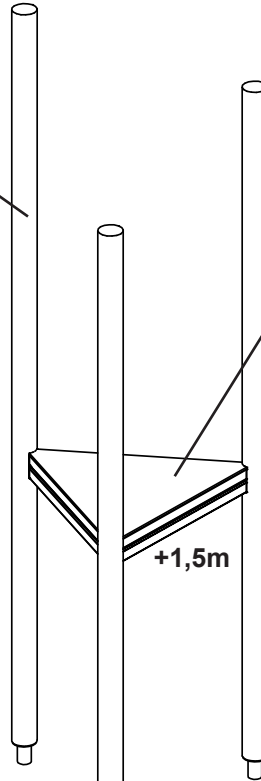




👁 MASW39775
x8

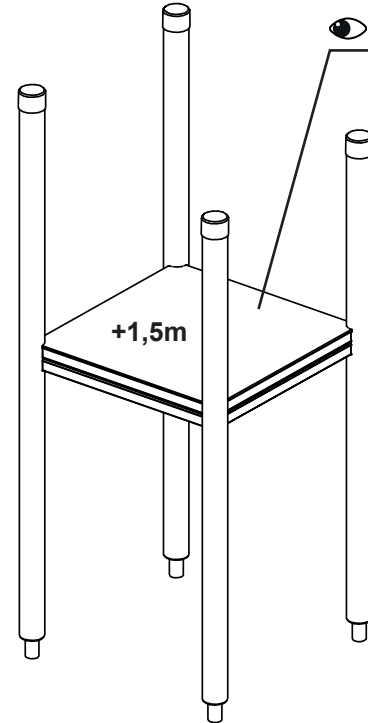


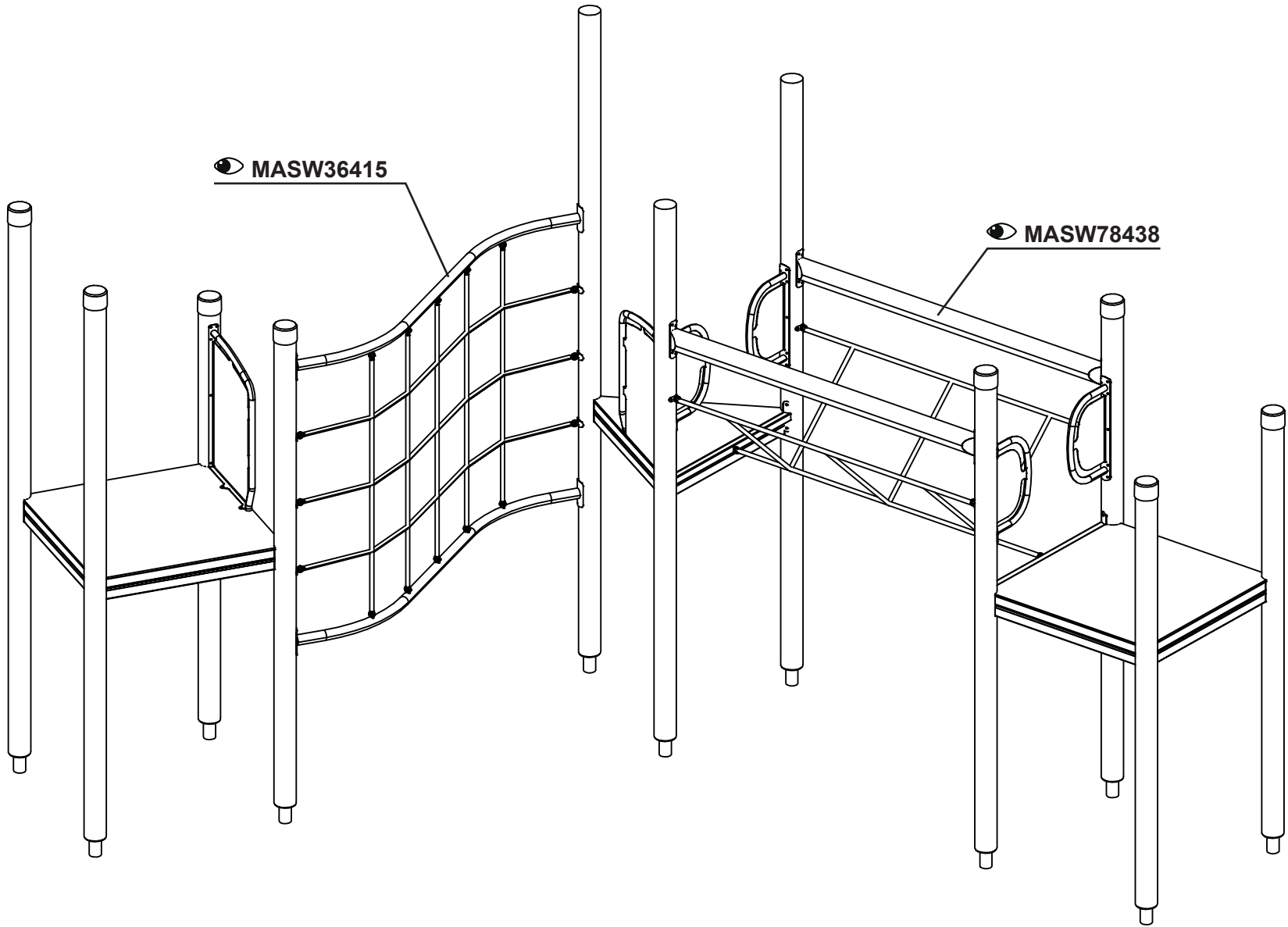
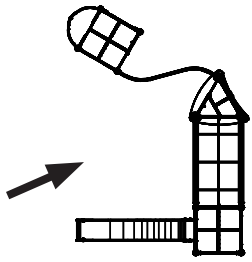
👁 441000

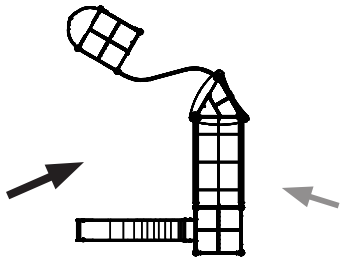


👁 MASW53817

👁 MASW63820
x2







MA450994
x6

+1,0m

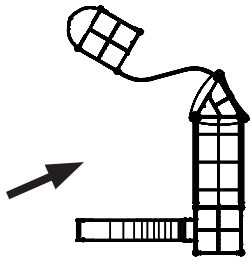
+0,60m

MASW42193

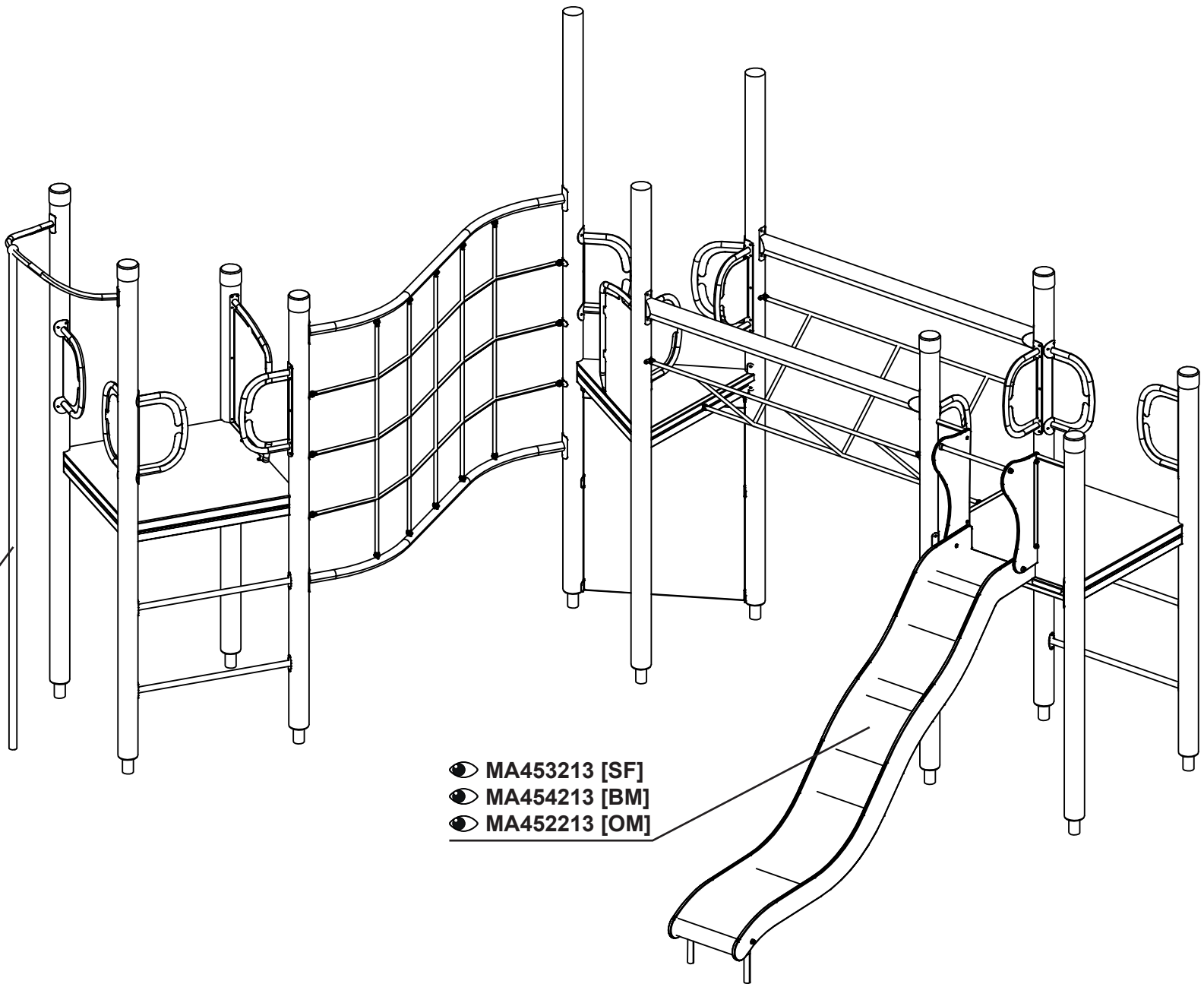
+1,0m

+0,60m

MA45060520
x4



- 👁 MA45077010 [SF]
- 👁 MA45477010 [BM]
- 👁 MA45277010 [OM]



- 👁 MA453213 [SF]
- 👁 MA454213 [BM]
- 👁 MA452213 [OM]

