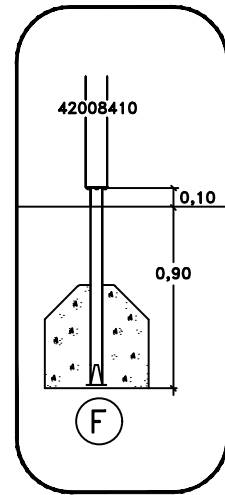
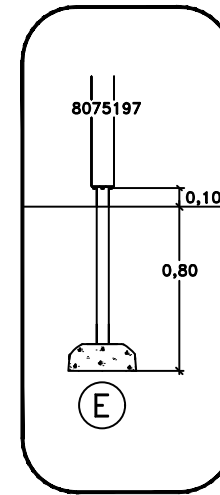
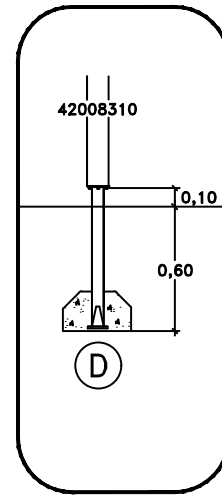
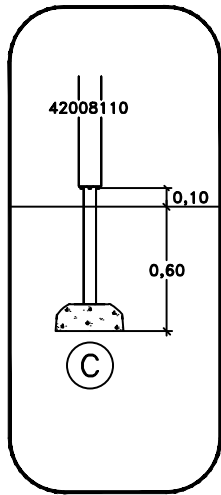
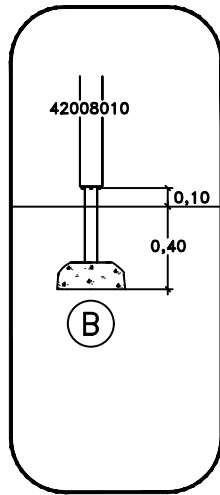
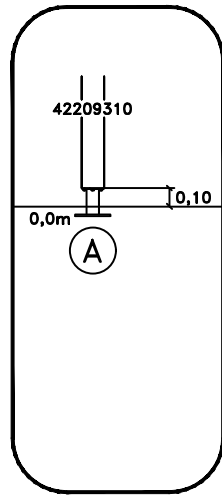


4203
260329
448000
42008010
42077010 [SF]
422212 [BM]
42277010 [OM]
423211 [SF]
424212 [OM]
42477010 [BM]
MA426121
MA45060520
MA450994
MASW36415
MASW38904
MASW39775
MASW42193
MASW78438

42008010



OM
Above Ground

8105930
80 _____
80 _____
80 _____
80 _____

SF
Sunken Foundation

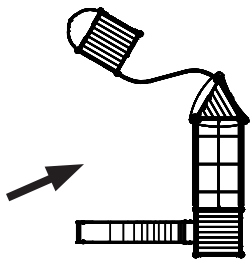
8105932
80 _____
80 _____
80 _____
80 _____

CC
Cast In Place

8077986
8105929
80 _____
80 _____

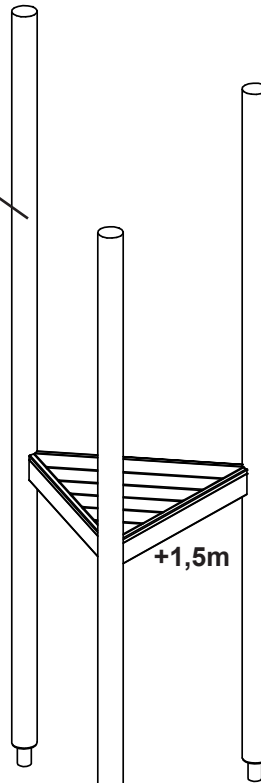
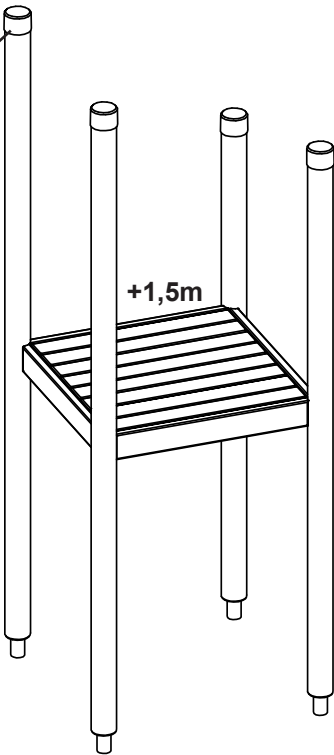
BM
Loosefill

80 _____
80 _____
80 _____
80 _____

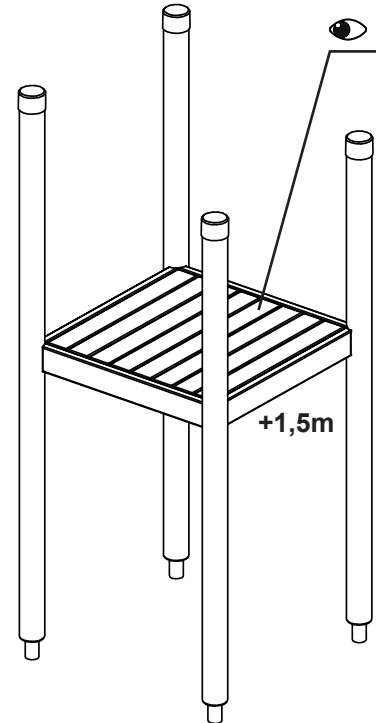


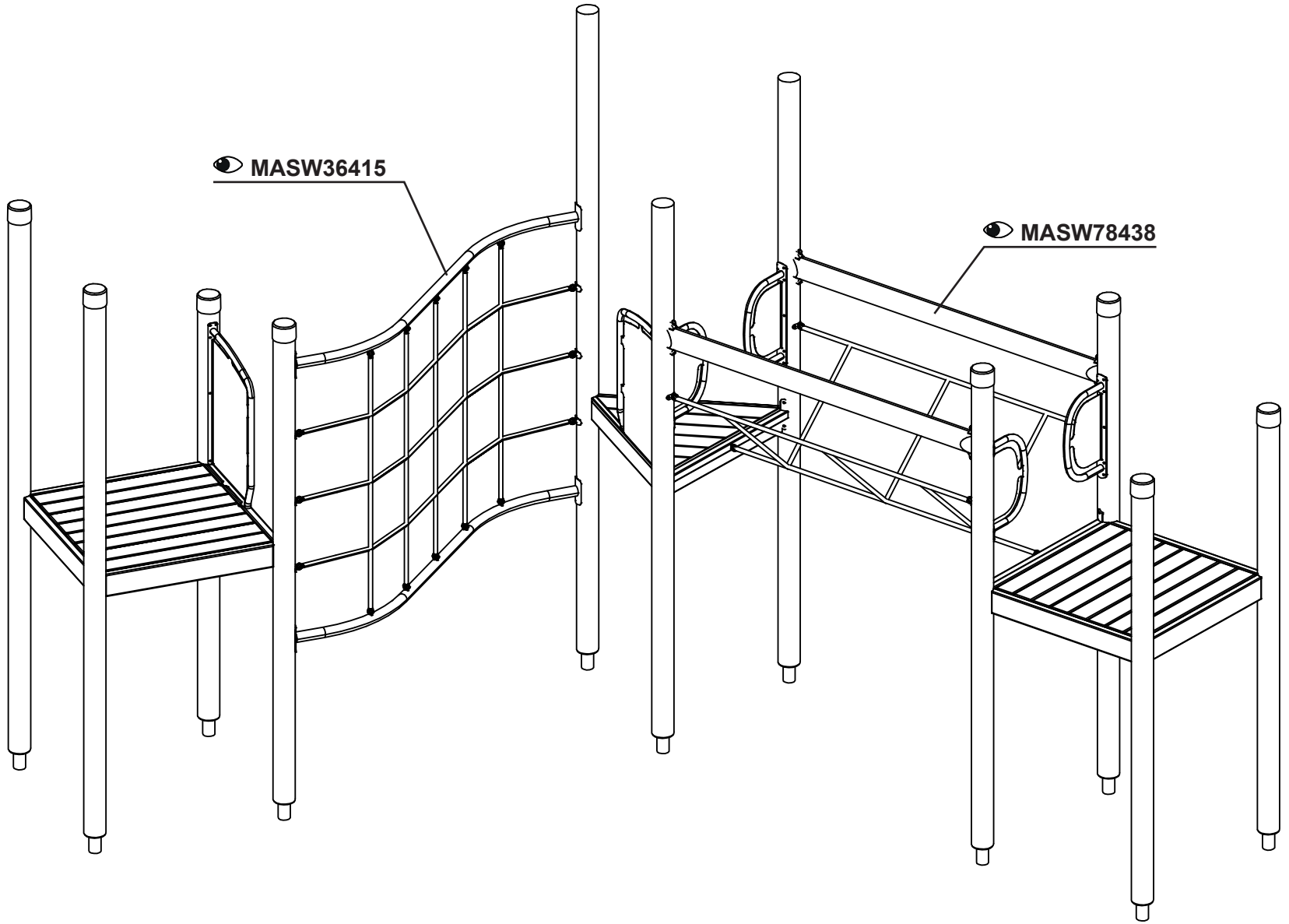
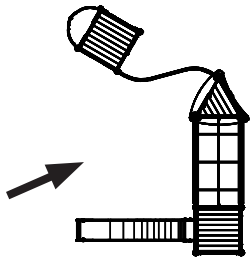
448000

MASW39775
x8



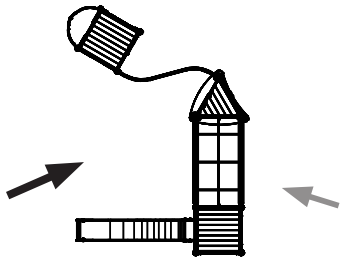
MA426121
x3





● MASW36415

● MASW78438



MA450994
x6

+1,0m

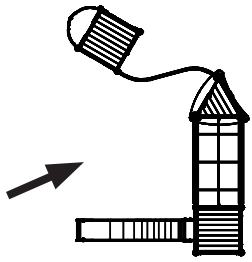
+0,60m

MASW42193

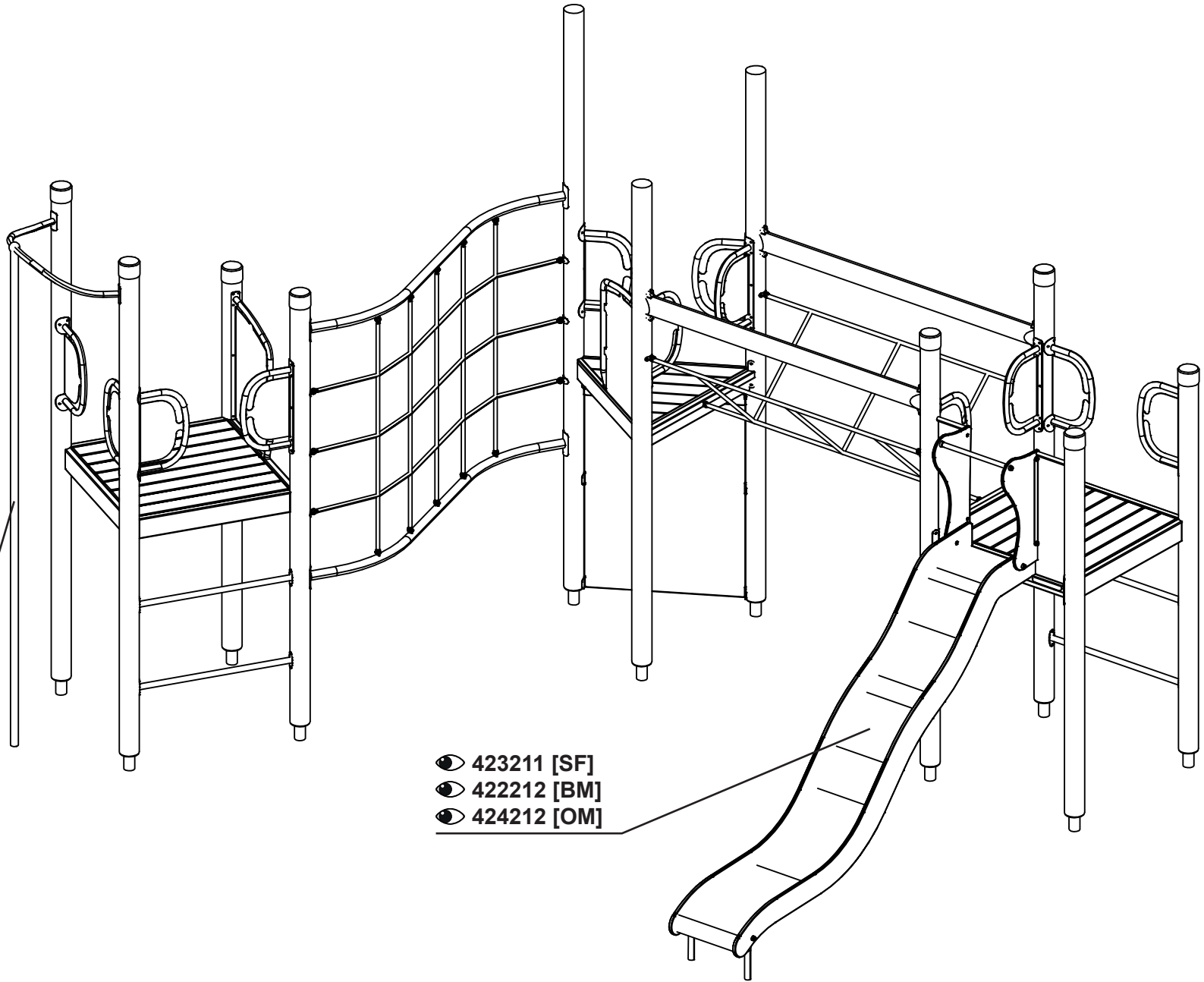
+1,0m

+0,60m

MA45060520
x4



- 42077010 [SF]
- 42477010 [BM]
- 42277010 [OM]



- 423211 [SF]
- 422212 [BM]
- 424212 [OM]

