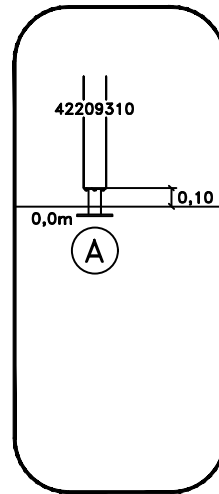


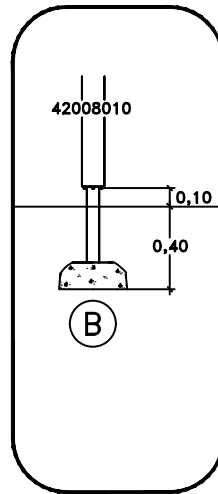
4203
260329
448000
42008010
42077010 [SF]
422212 [BM]
42277010 [OM]
423211 [SF]
424212 [OM]
42477010 [BM]
MA42075020
MA426121
MA45060310
MA45060520
MA450994
MA62694
MASW39775
MASW78720
MASW78734

42008010



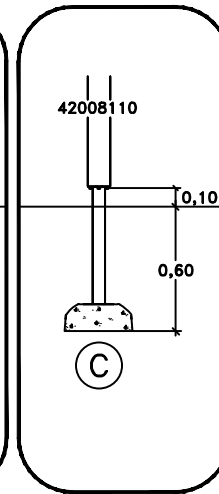
OM
Above Ground

8106032
80 _____
80 _____
80 _____



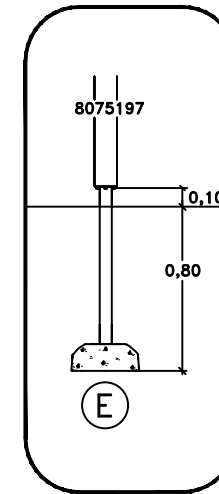
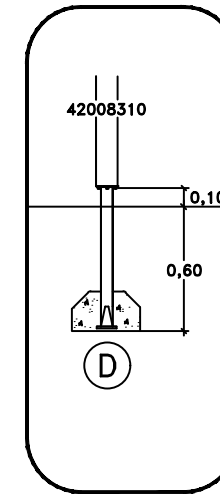
SF
Sunken Foundation

8106033
80 _____
80 _____
80 _____



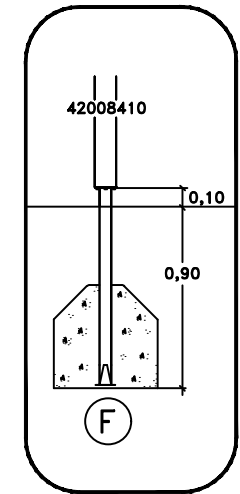
CC
Cast In Place

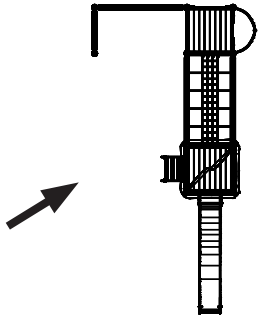
8077992
8106029
80 _____
80 _____



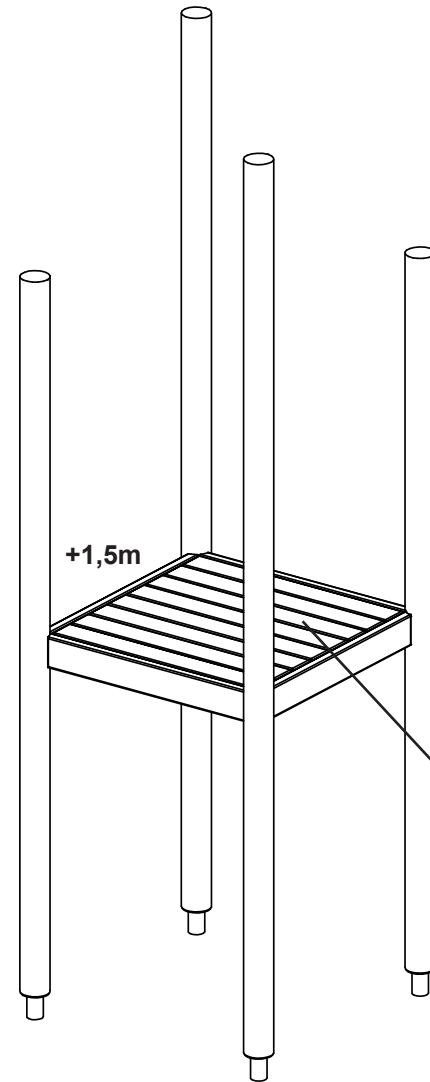
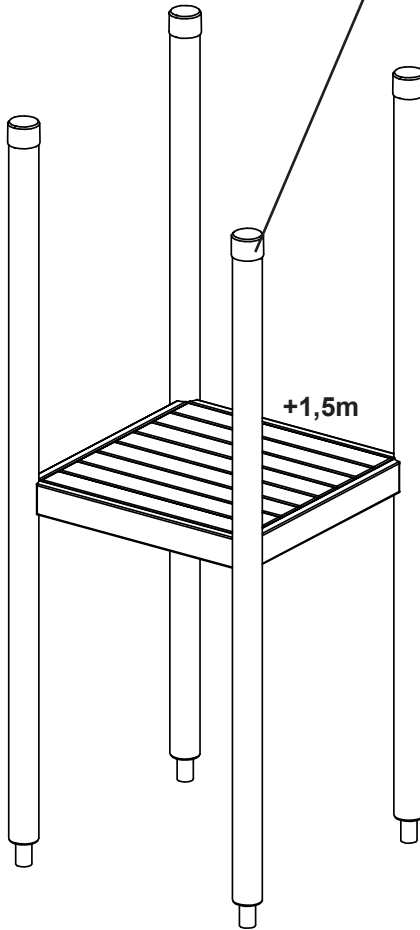
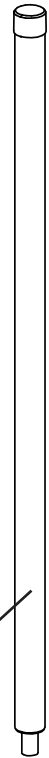
BM
Loosefill

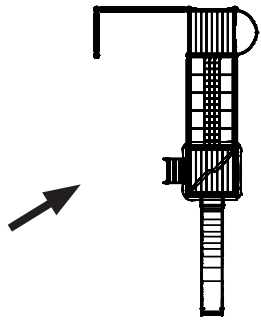
80 _____
80 _____
80 _____
80 _____





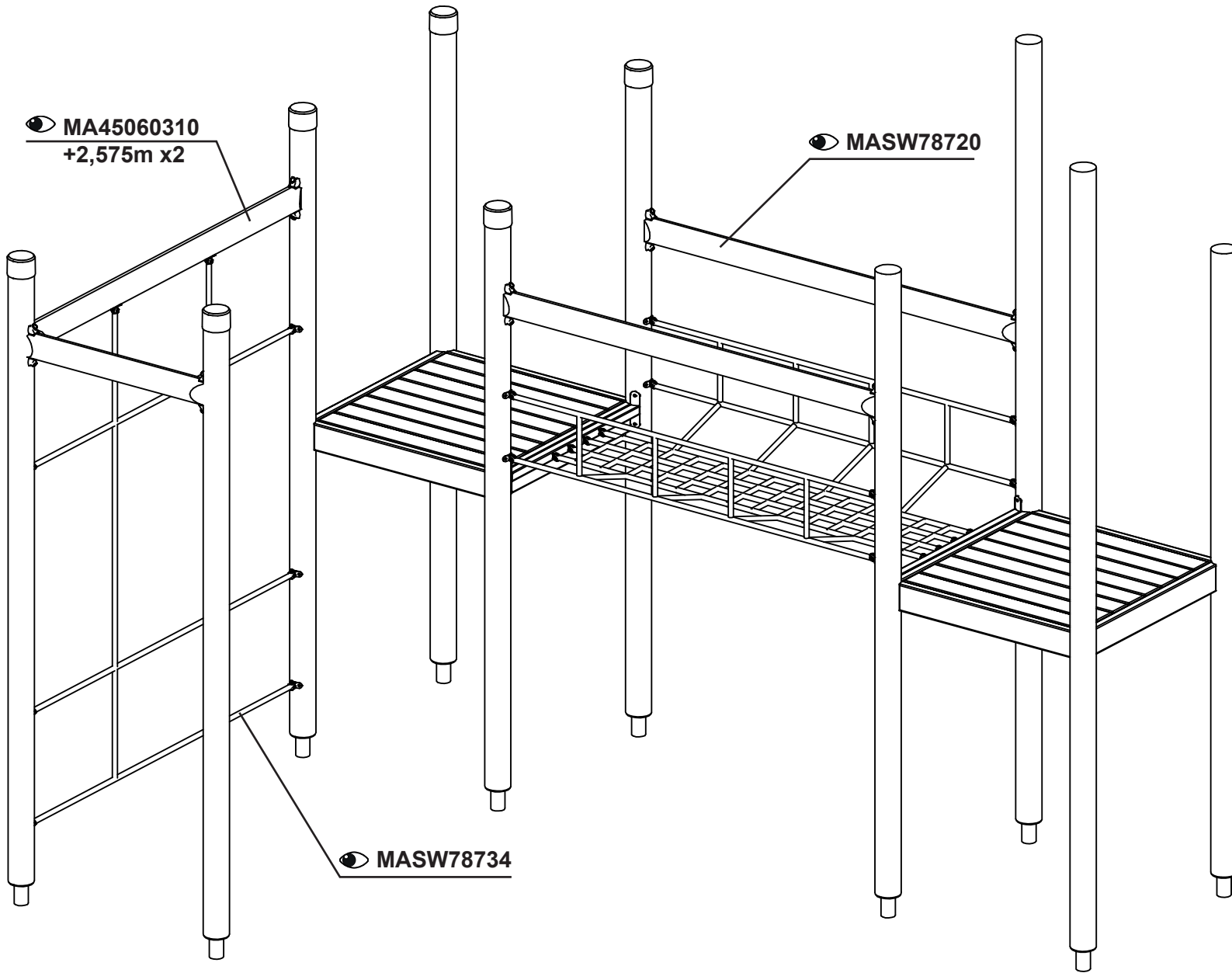
448000
x10



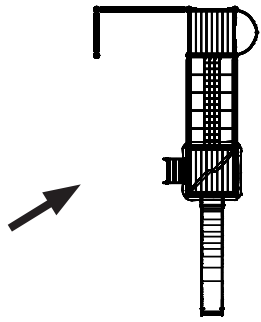


MA45060310
+2,575m x2

MASW78720



MASW78734



MA45060520
x7

MA450994
x2

+1,05m

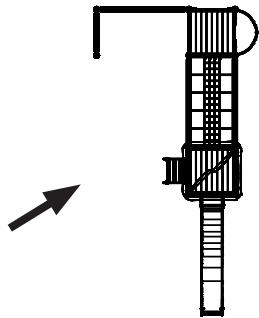
+0,70m

+0,35m

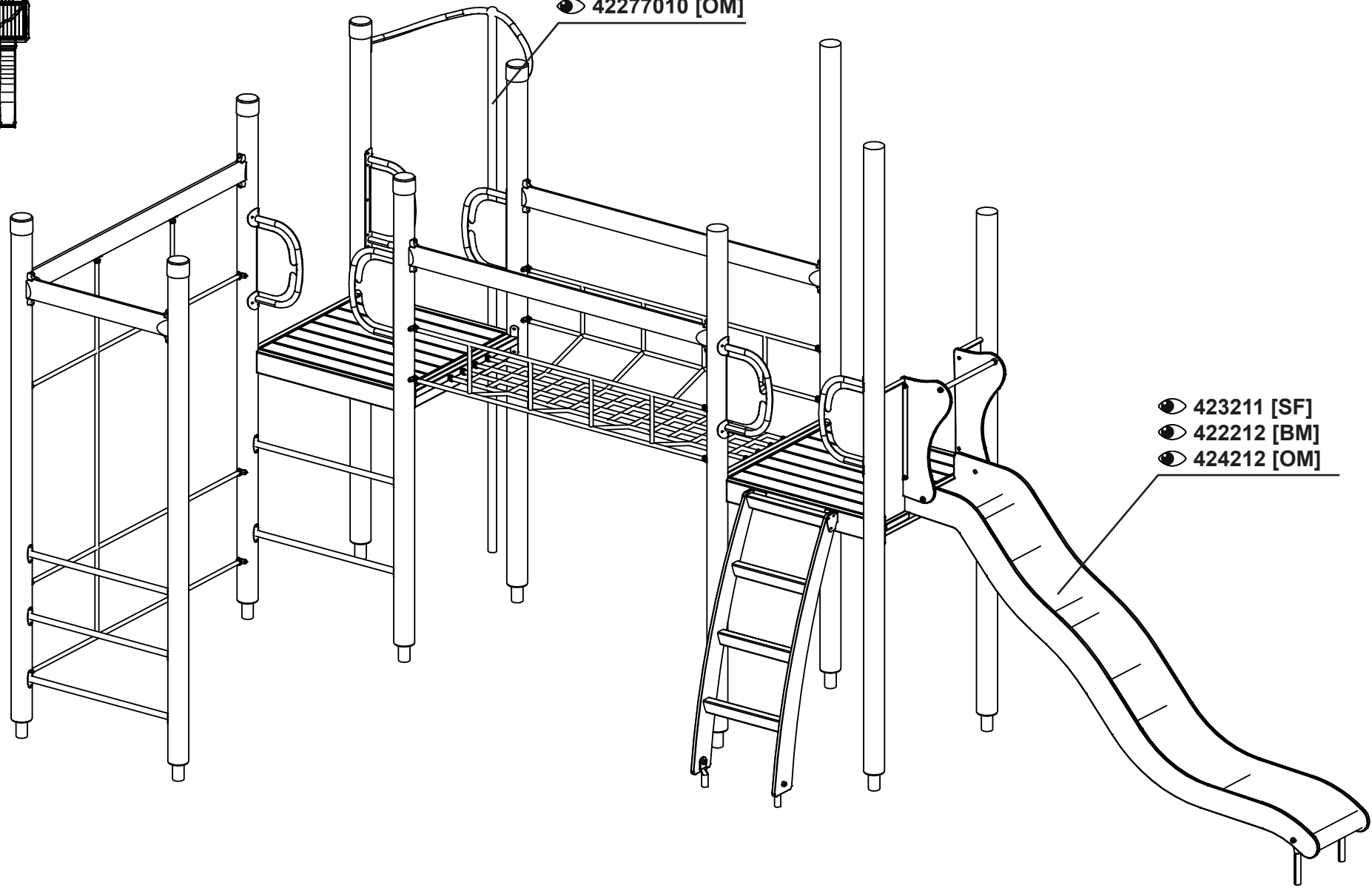
+1,0m

+0,50m

MA42075020



- 42077010 [SF]
- 42477010 [BM]
- 42277010 [OM]



- 423211 [SF]
- 422212 [BM]
- 424212 [OM]

