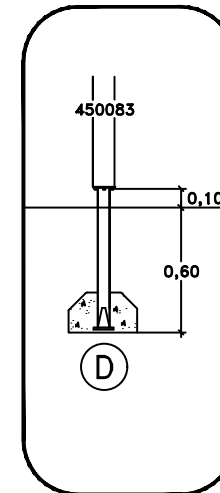
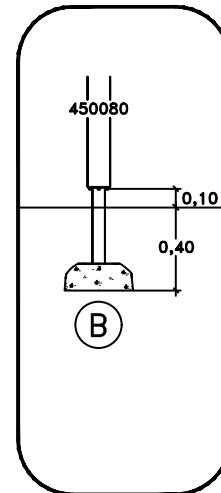
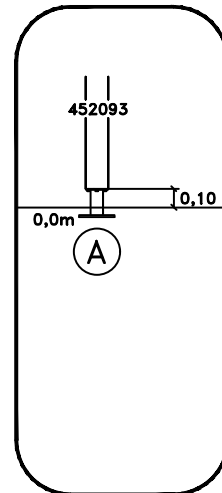
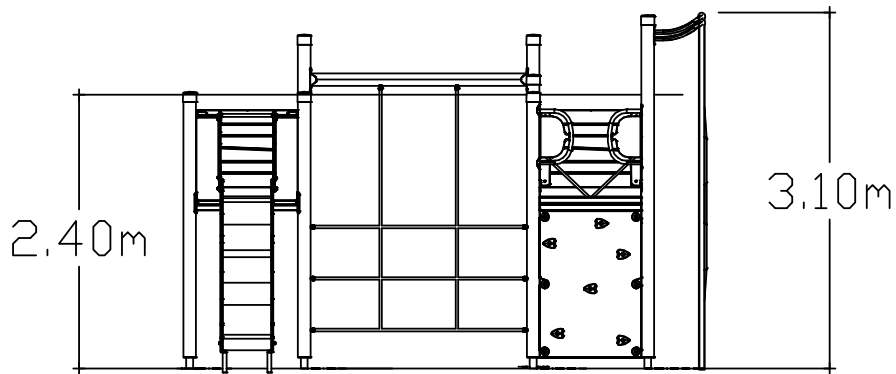
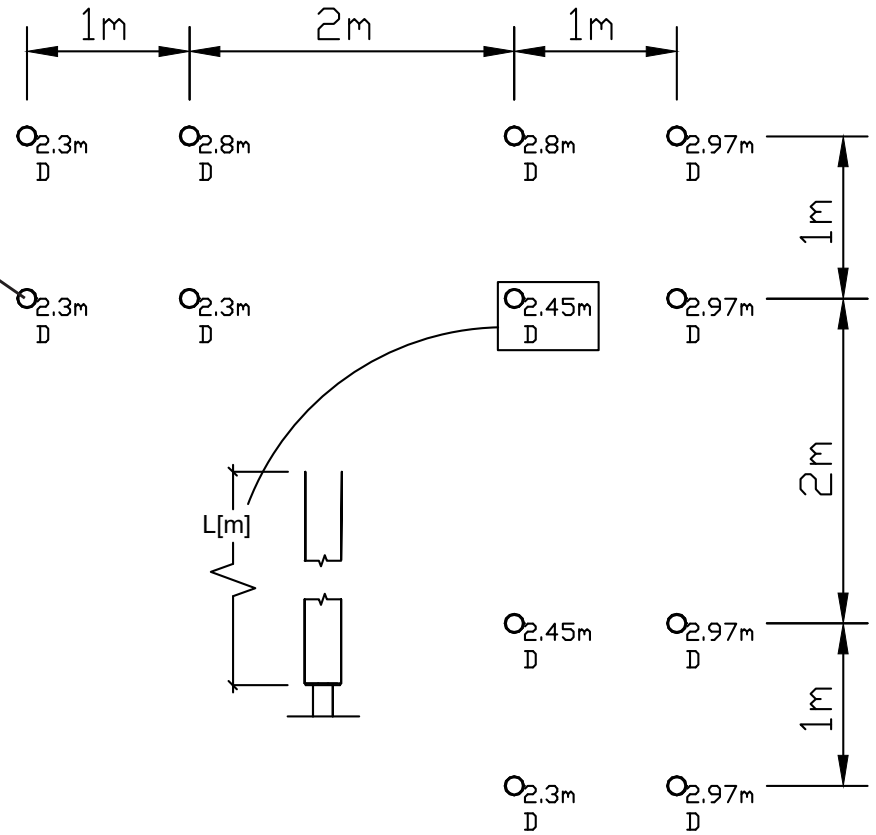
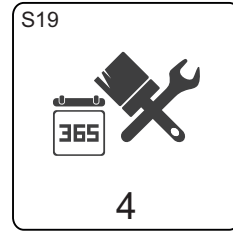
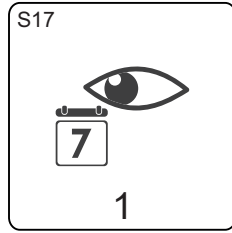
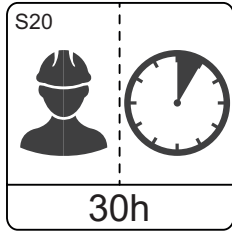
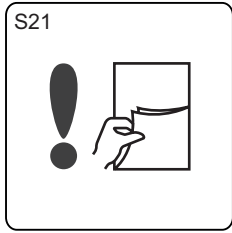


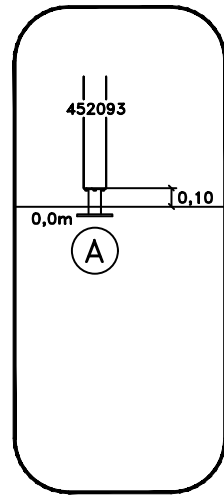
42008010





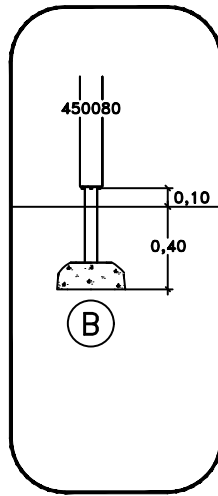
**260329**  
**441000**  
**42008010**  
**MA45060310**  
**MA45060520**  
**MA45077010 [SF]**  
**MA45077130**  
**MA450994**  
**MA452213 [OM]**  
**MA45277010 [OM]**  
**MA453213 [SF]**  
**MA454213 [BM]**  
**MA45477010 [BM]**  
**MASW39775**  
**MASW42193**  
**MASW63820**  
**MASW78438**  
**MASW78734**  
**ST4203**

42008010



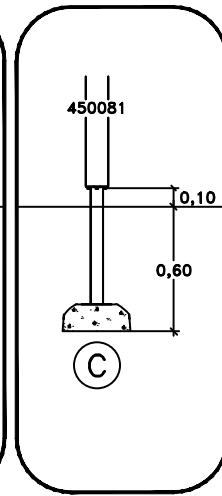
**OM**  
**Above Ground**

8106046  
80 \_\_\_\_\_  
80 \_\_\_\_\_  
80 \_\_\_\_\_  
80 \_\_\_\_\_



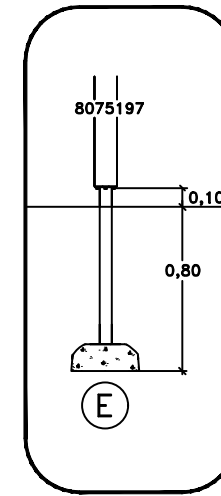
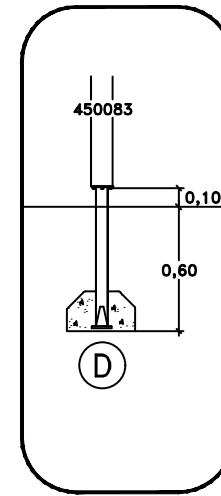
**SF**  
**Sunken Foundation**

8106048  
80 \_\_\_\_\_  
80 \_\_\_\_\_  
80 \_\_\_\_\_  
80 \_\_\_\_\_



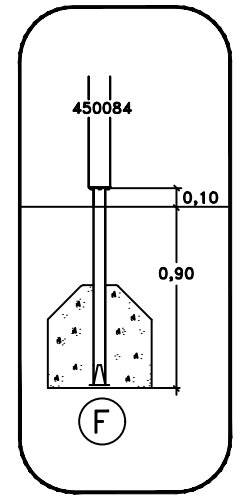
**CC**  
**Cast In Place**

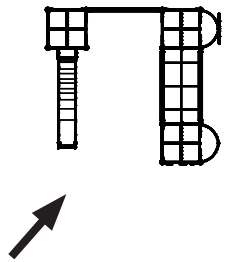
8106069  
8106041  
80 \_\_\_\_\_  
80 \_\_\_\_\_



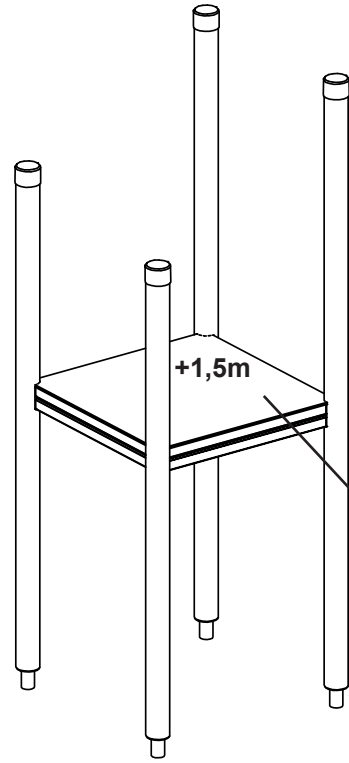
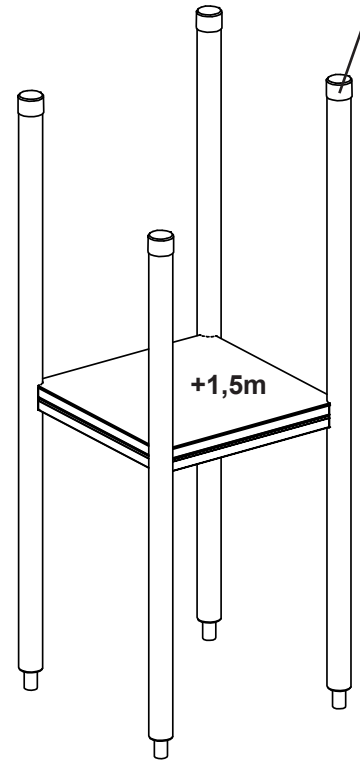
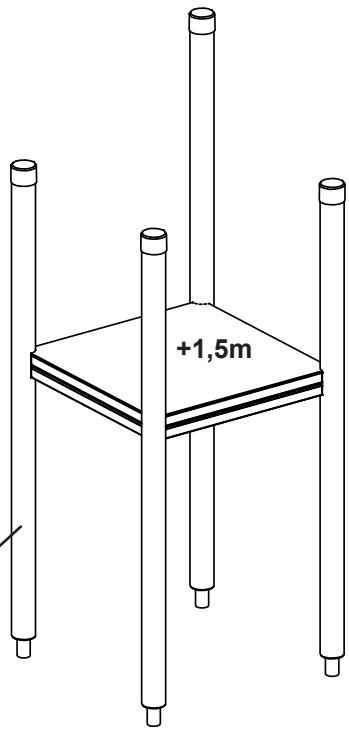
**BM**  
**Loosefill**

80 \_\_\_\_\_  
80 \_\_\_\_\_  
80 \_\_\_\_\_  
80 \_\_\_\_\_



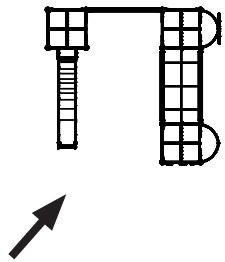


MASW39775  
x12



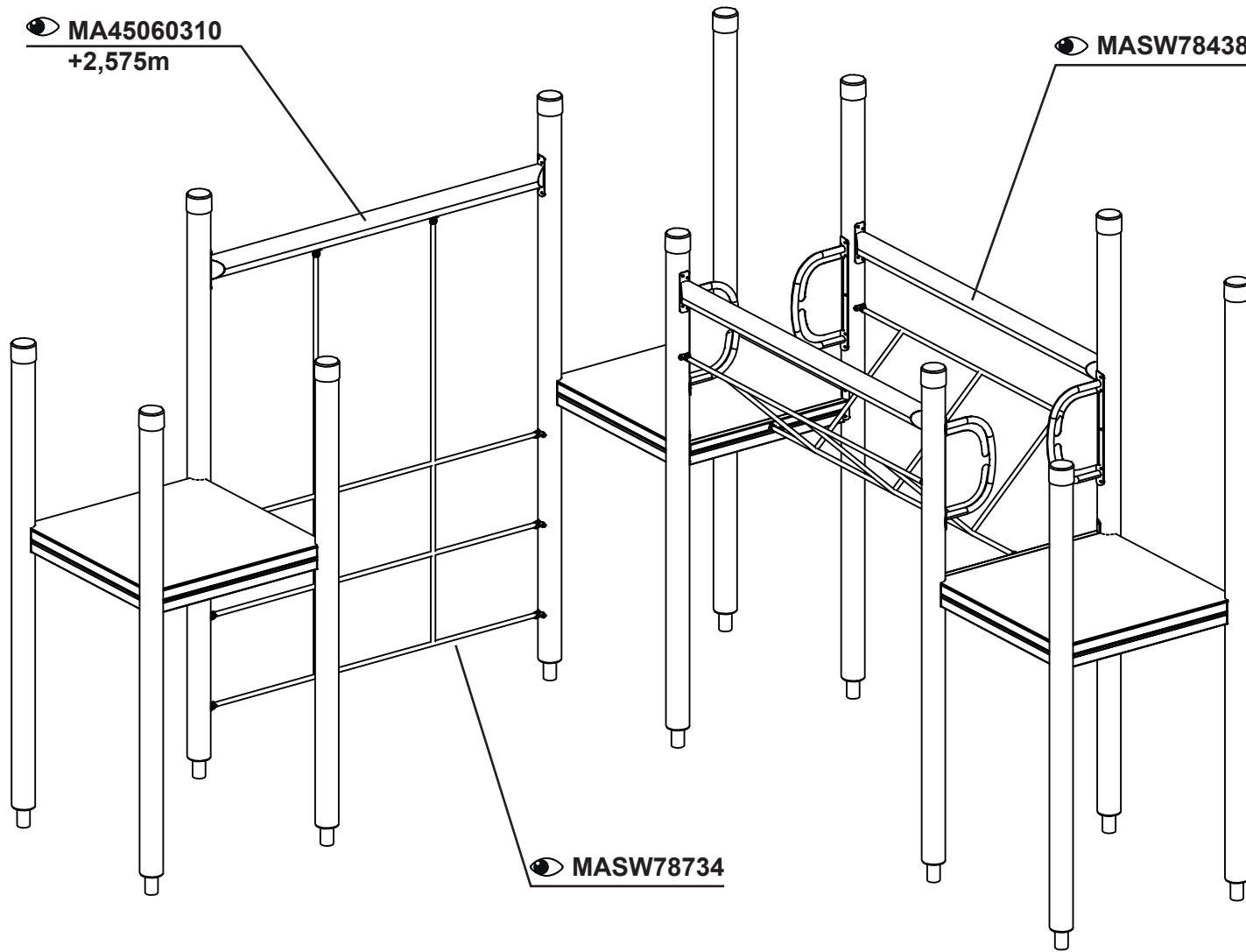
441000  
x12

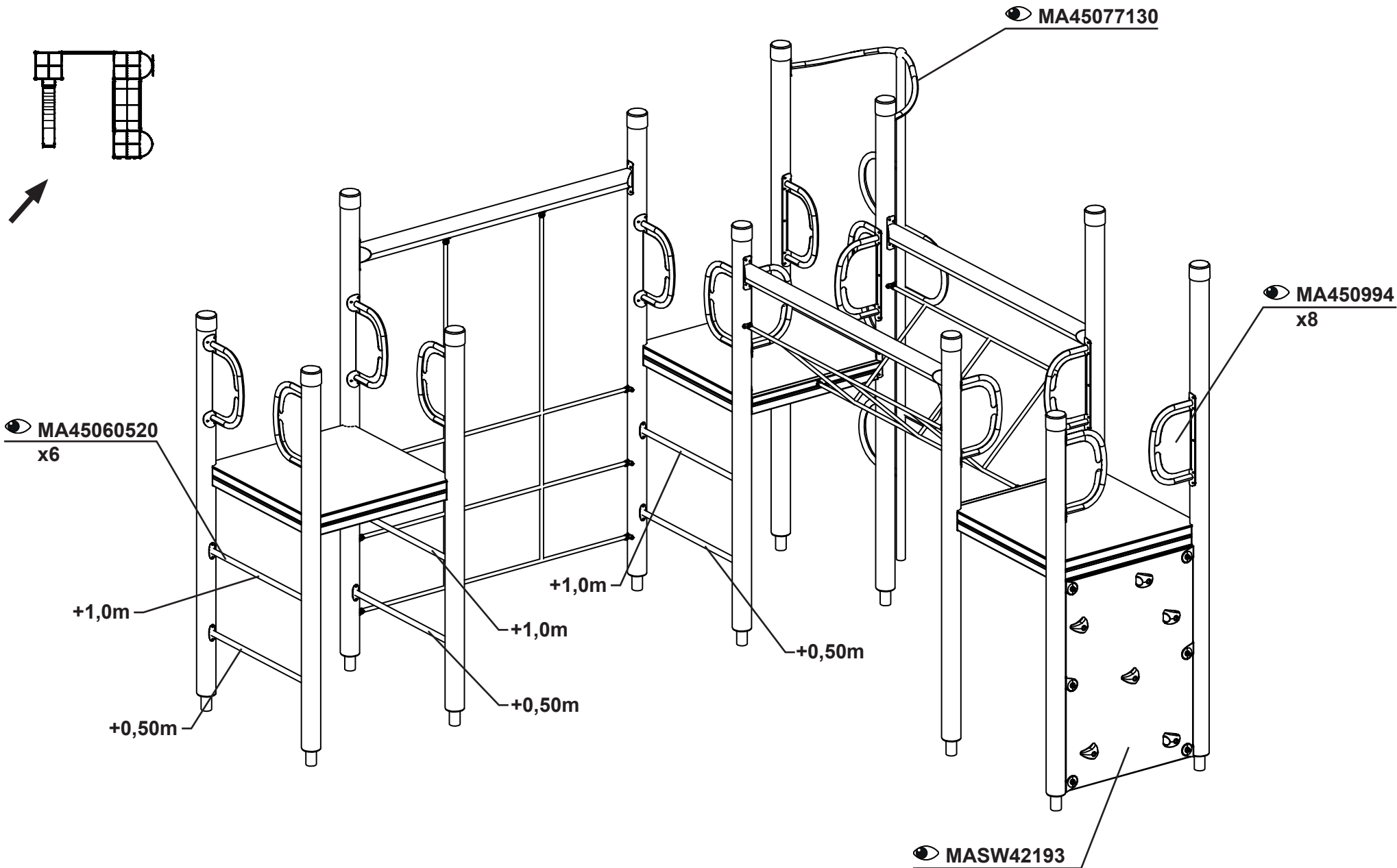
MASW63820  
x3

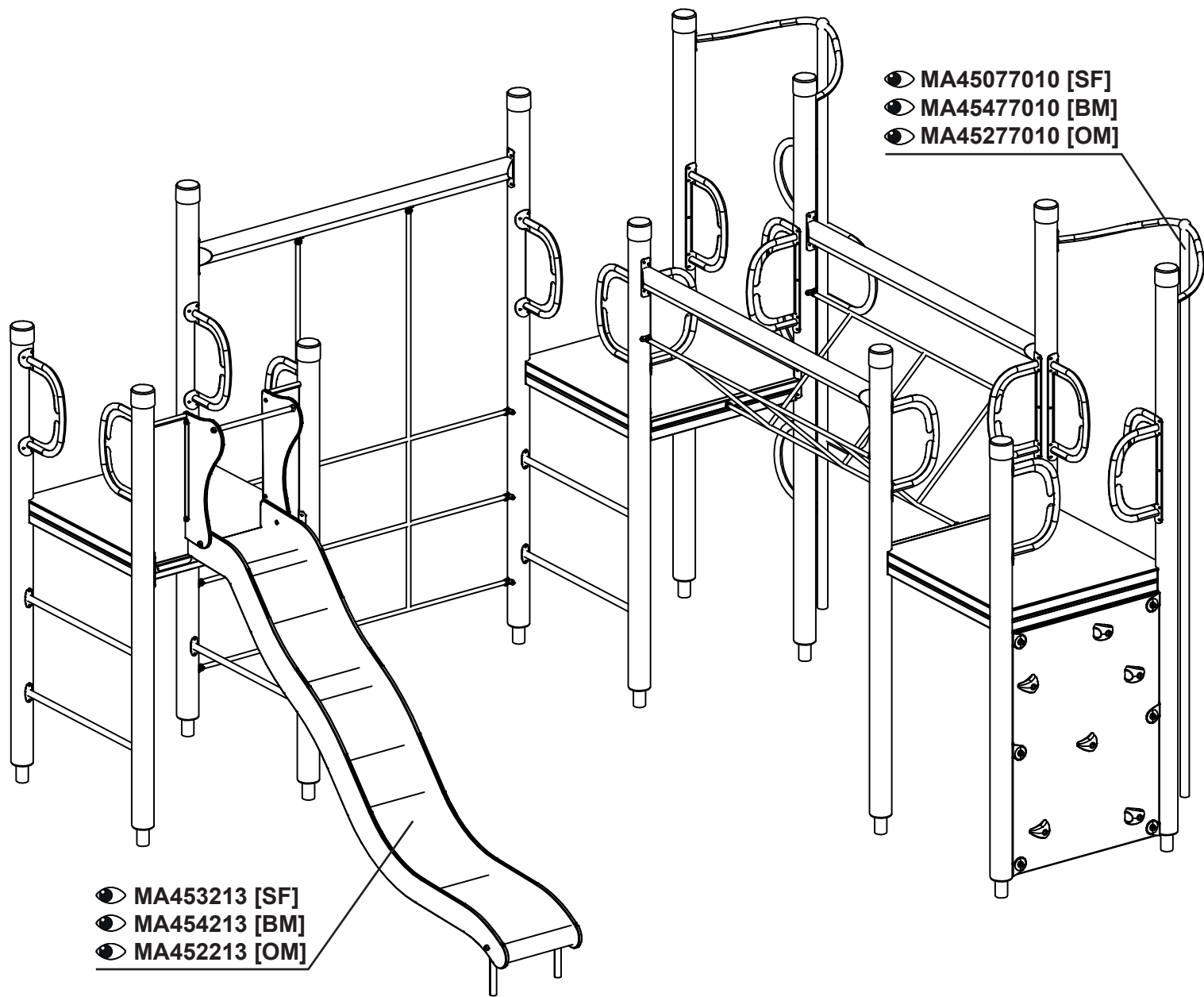
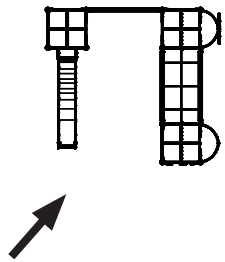


MA45060310  
+2,575m

MASW78438



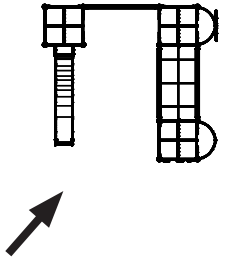




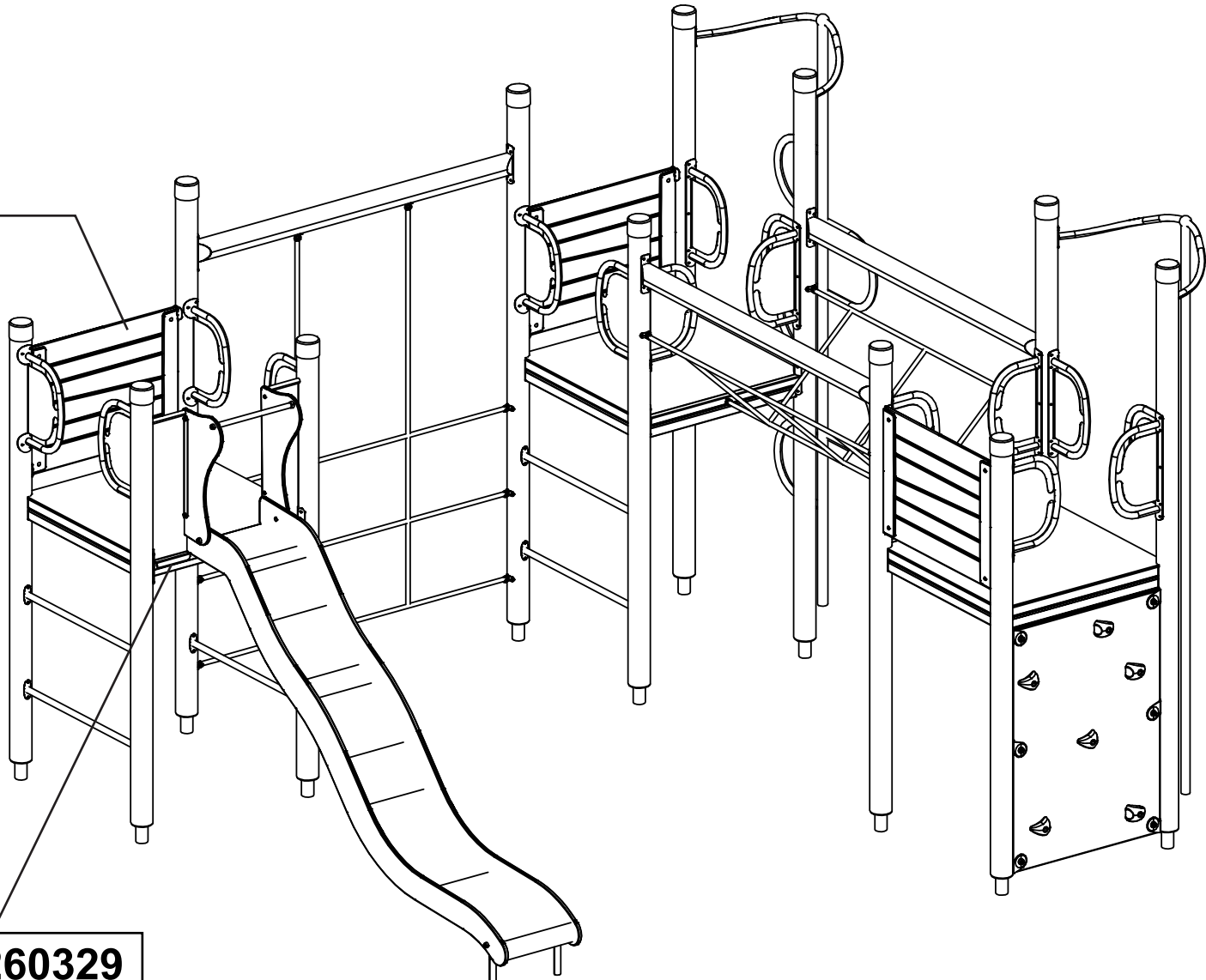
- MA45077010 [SF]
- MA45477010 [BM]
- MA45277010 [OM]

- MA453213 [SF]
- MA454213 [BM]
- MA452213 [OM]





ST4203  
x3



HAGS  
260329  
**260329**