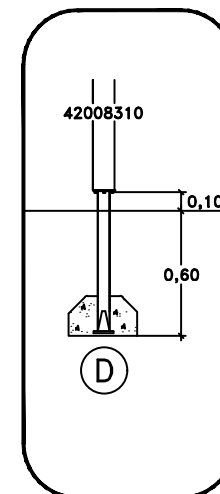
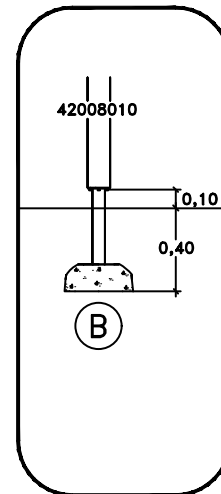
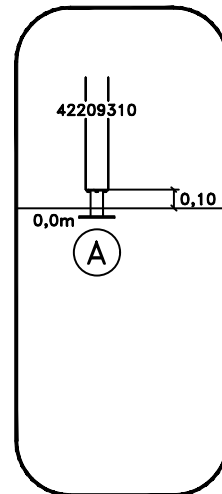
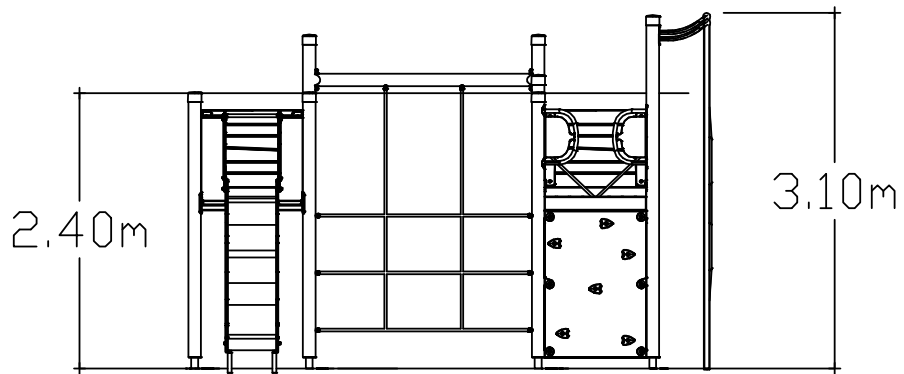
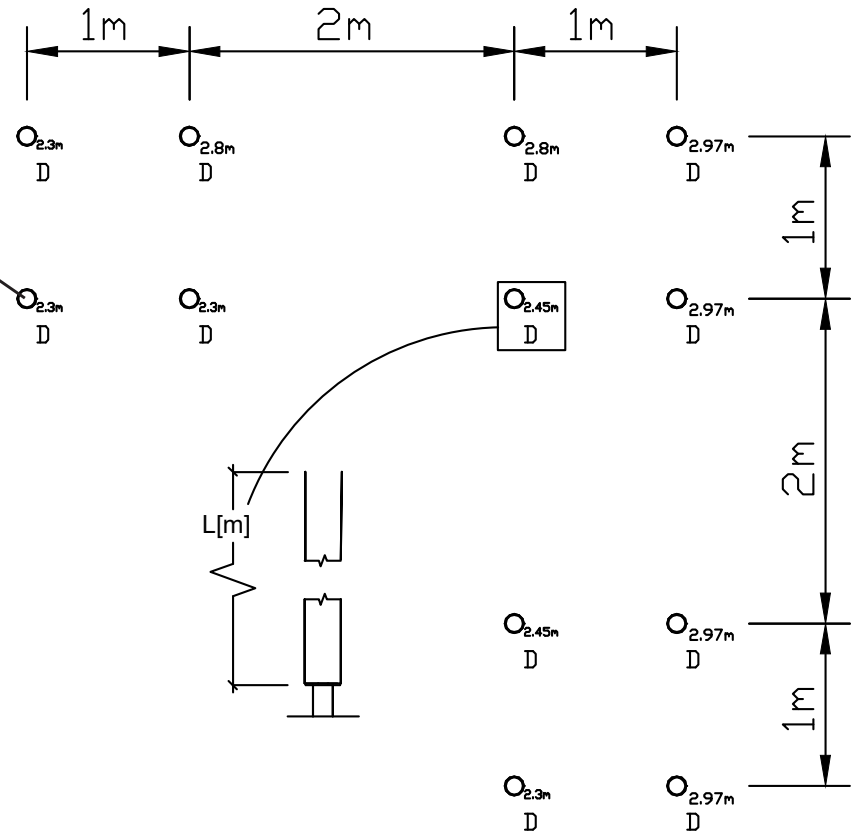
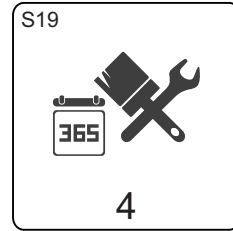
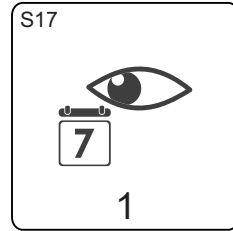
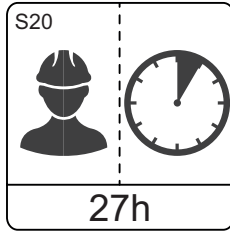
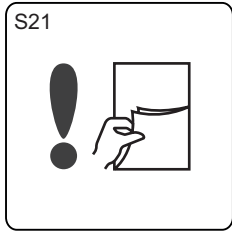


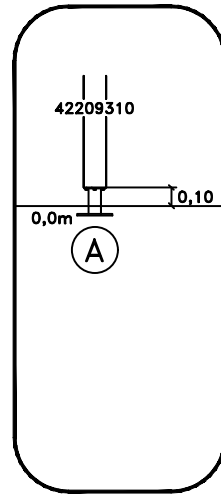
42008010





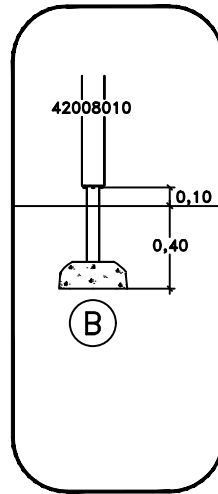
4203
260329
448000
42008010
42077010 [SF]
422212 [BM]
42277010 [OM]
423211 [SF]
424212 [OM]
42477010 [BM]
MA426121
MA45060310
MA45060520
MA45077130
MA450994
MASW39775
MASW42193
MASW78438
MASW78734

👁️ 42008010



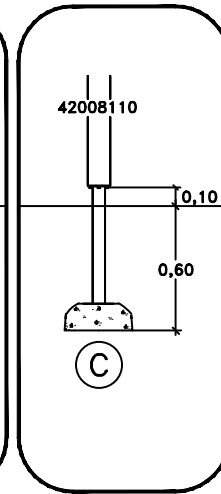
OM
Above Ground

8106055
80 _____
80 _____
80 _____
80 _____



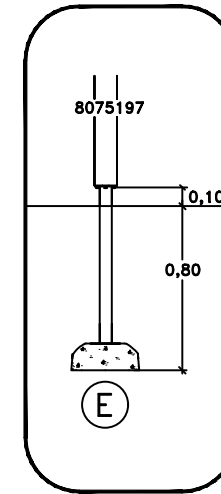
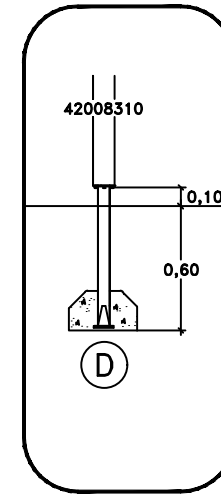
SF
Sunken Foundation

8106056
80 _____
80 _____
80 _____
80 _____



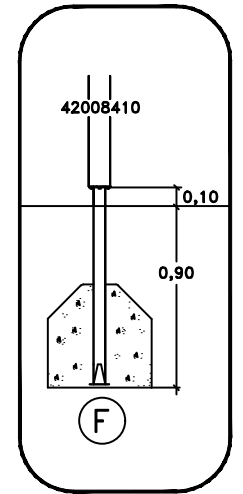
CC
Cast In Place

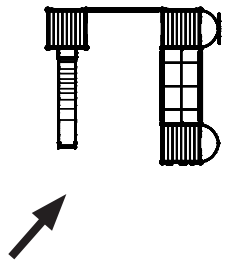
8106070
8106052
80 _____
80 _____



BM
Loosefill

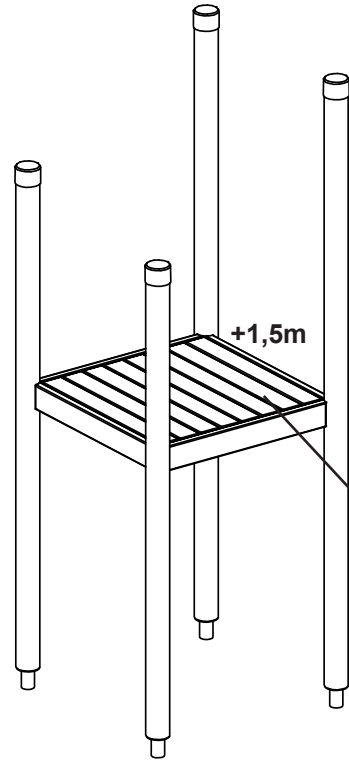
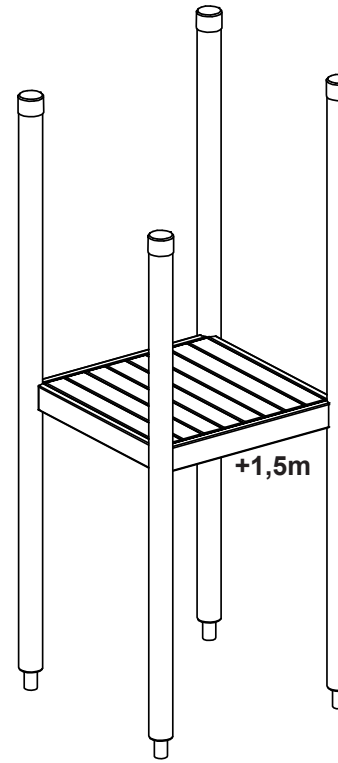
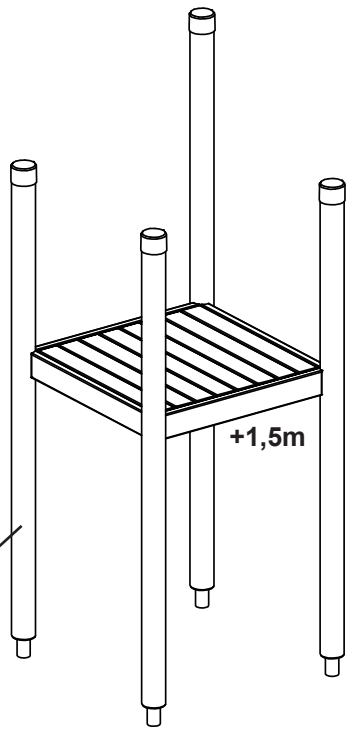
80 _____
80 _____
80 _____
80 _____



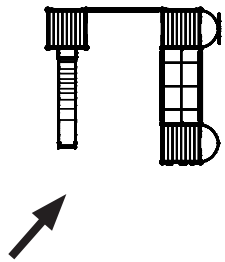


MASW39775
x12

448000
x12

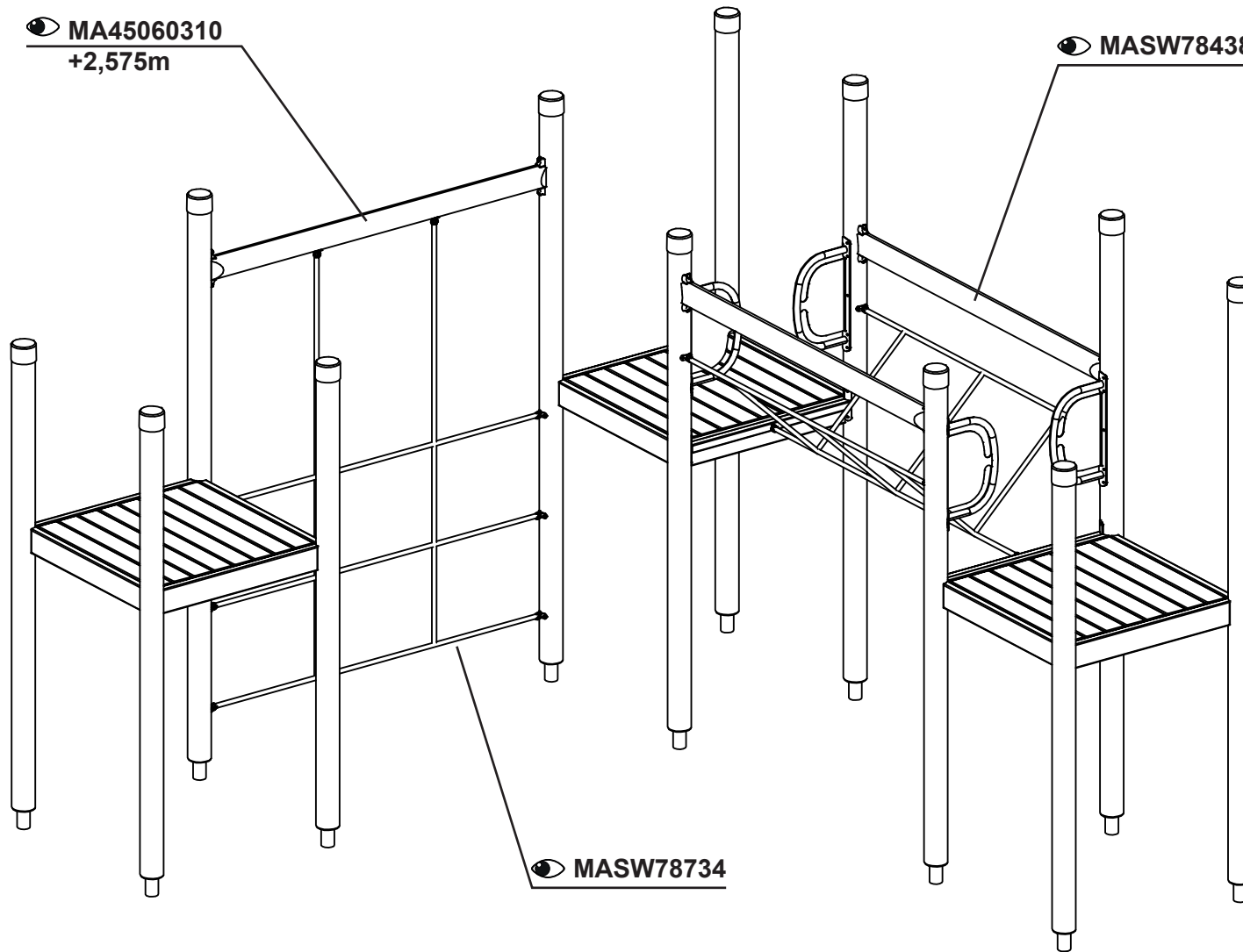


MA426121
x3

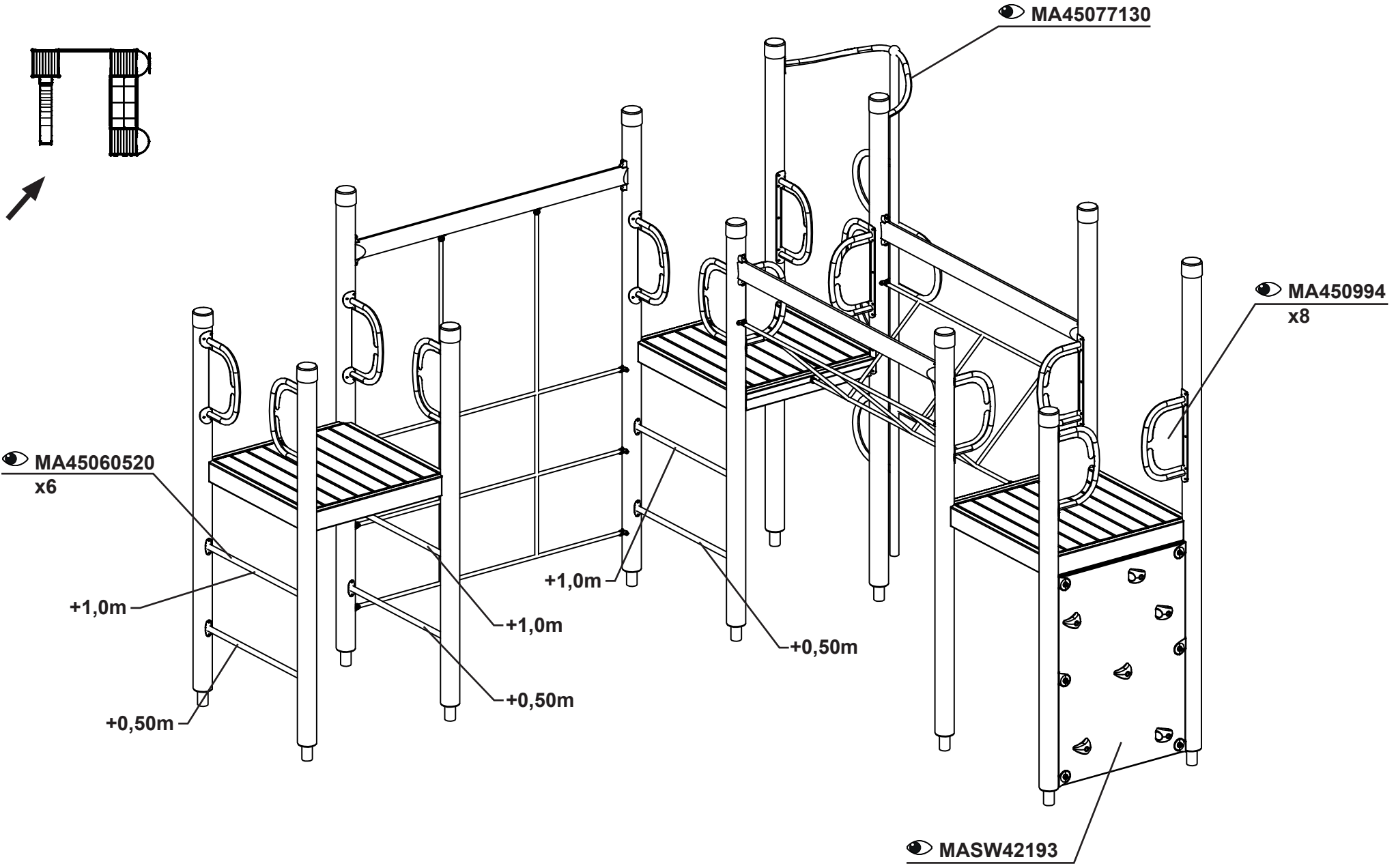


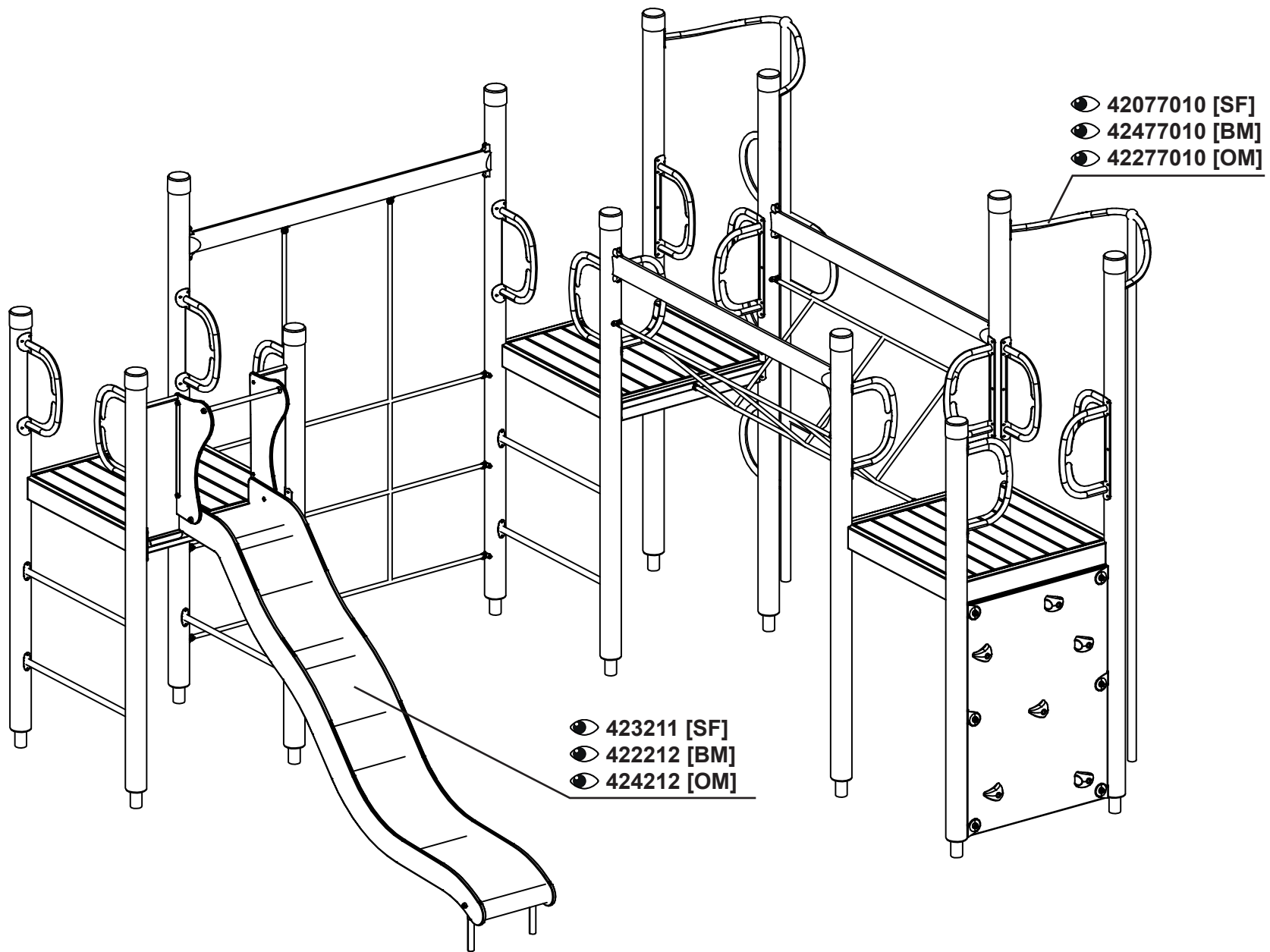
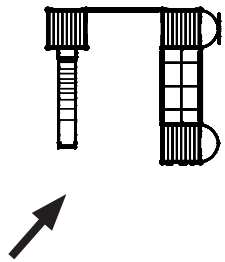
MA45060310
+2,575m

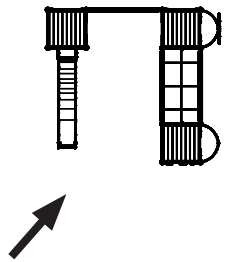
MASW78438



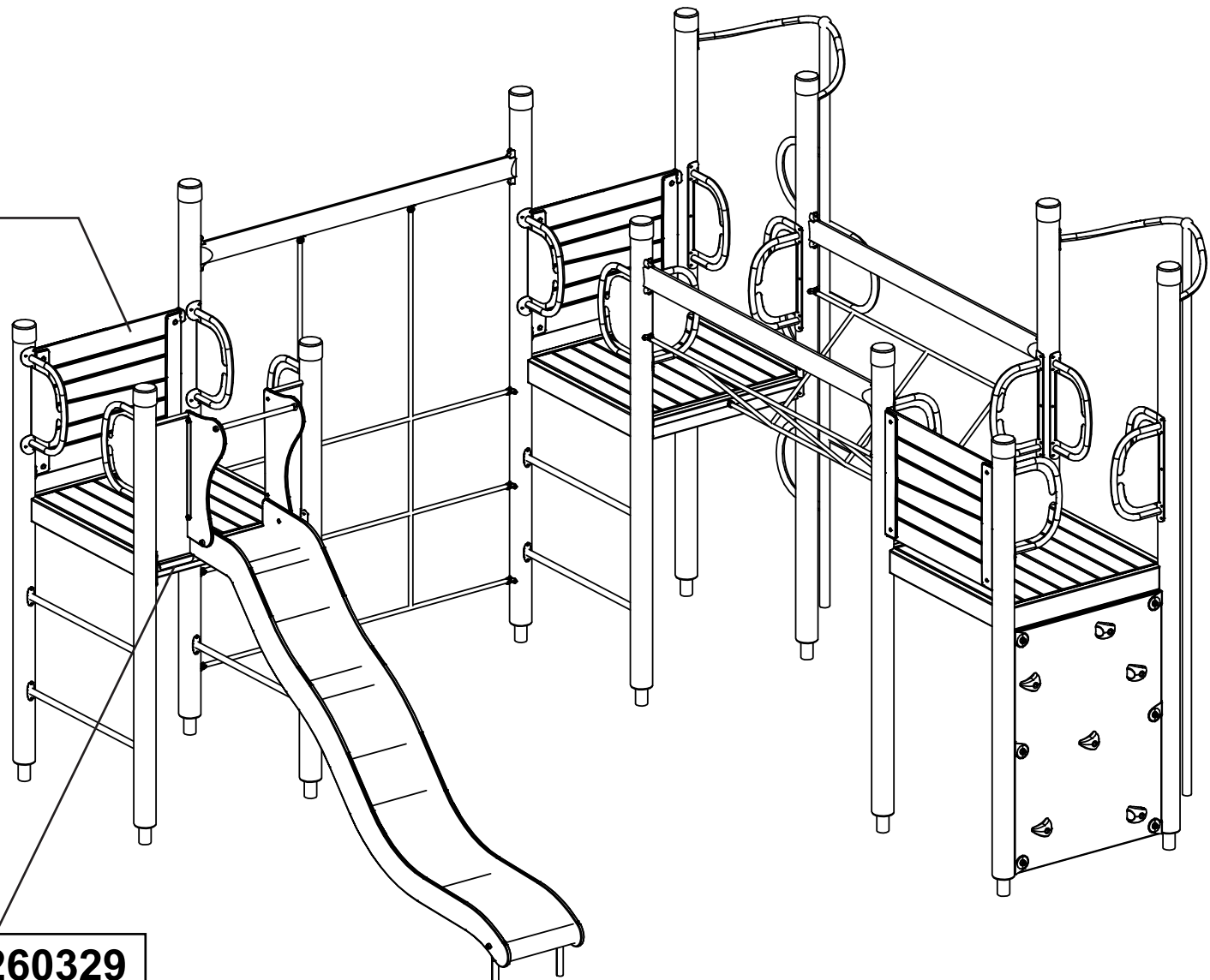
MASW78734







4203
x3



HAGS
260329