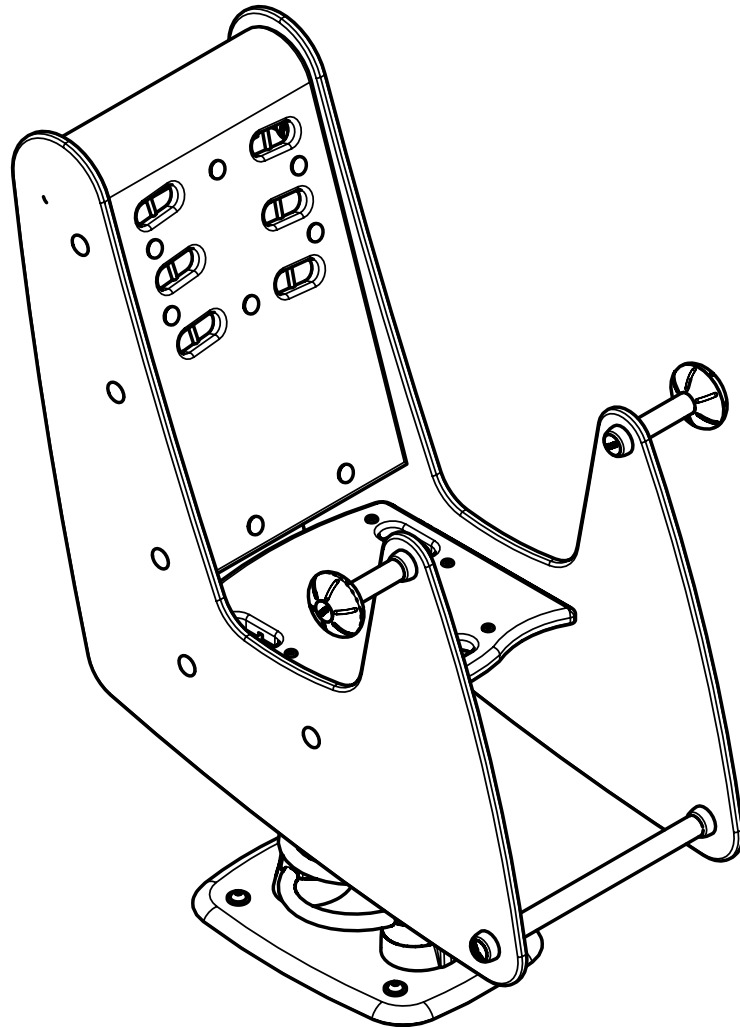


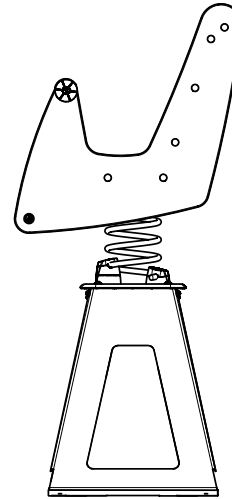
HAGS[®]

Inclusive springer Tini

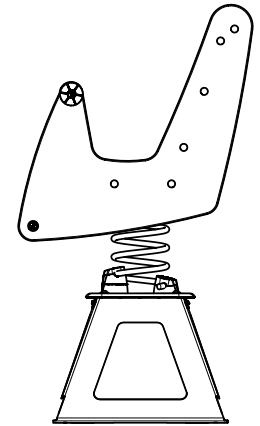
MASW110561



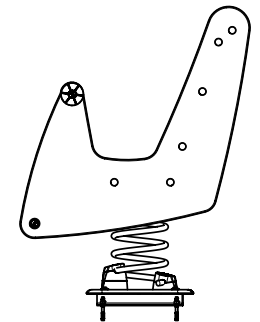
BM

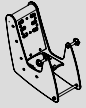



S



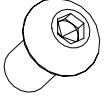
OM



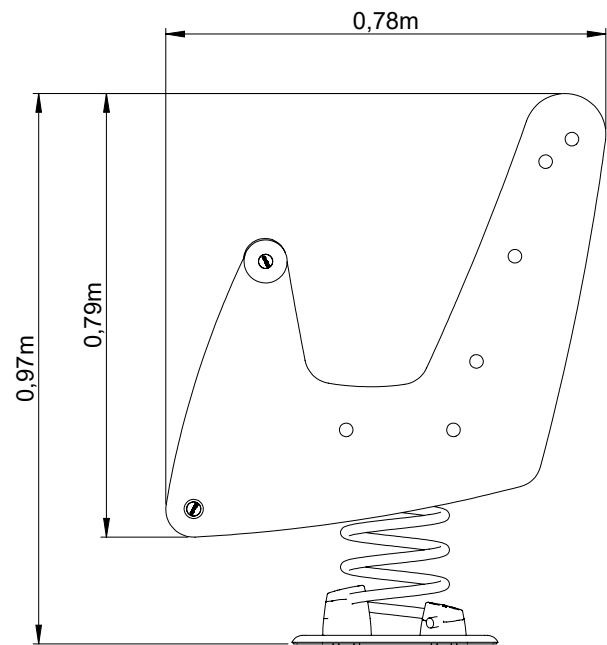
1	SW106084		1x 790 x 780 x 602 mm	21.12kg
---	----------	--	-----------------------	---------

3	8008850		8x 11x24x2-ISO4759-3-C	0.006 kg
---	---------	--	------------------------	----------

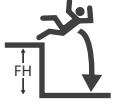
2	SW31769		1x 364 x 261 x 396 mm	5.59kg
---	---------	---	-----------------------	--------

4	8008451		8x ISO7380-1-M10x20-10.9	0.019 kg
---	---------	---	--------------------------	----------

5	8005499		1x 140 x 35	0.001kg
---	---------	---	-------------	---------

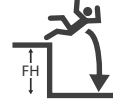


S6



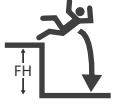
EN1176
> 0,6m

S8




ASTM F1487
18"

S9

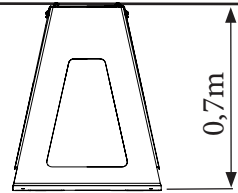
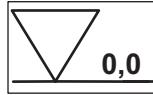


CSA Z 614
0,45m - [18"]

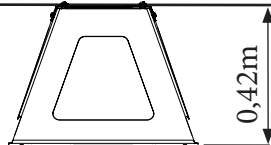
S20



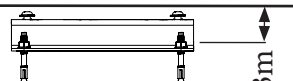
1 x 2



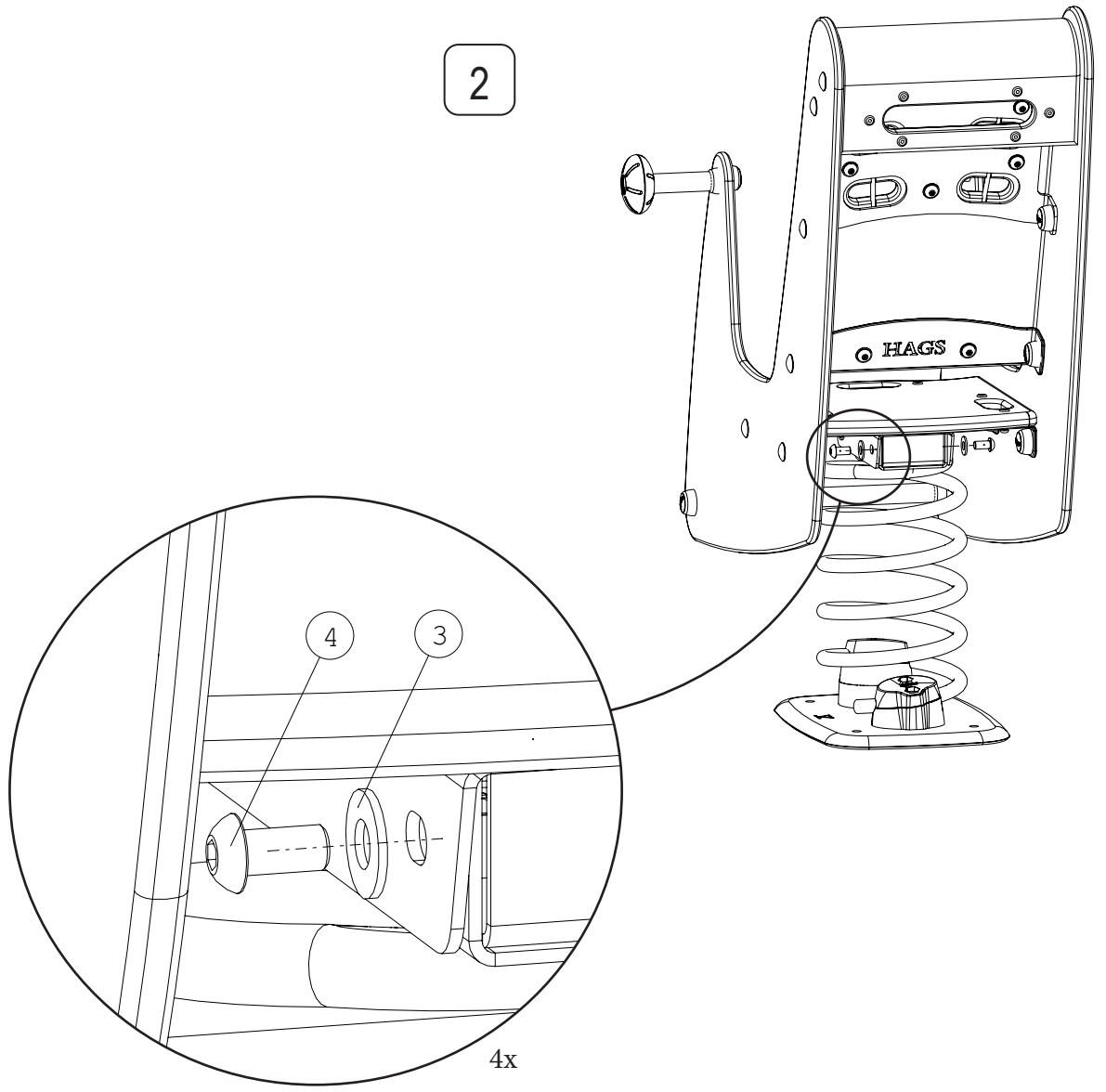
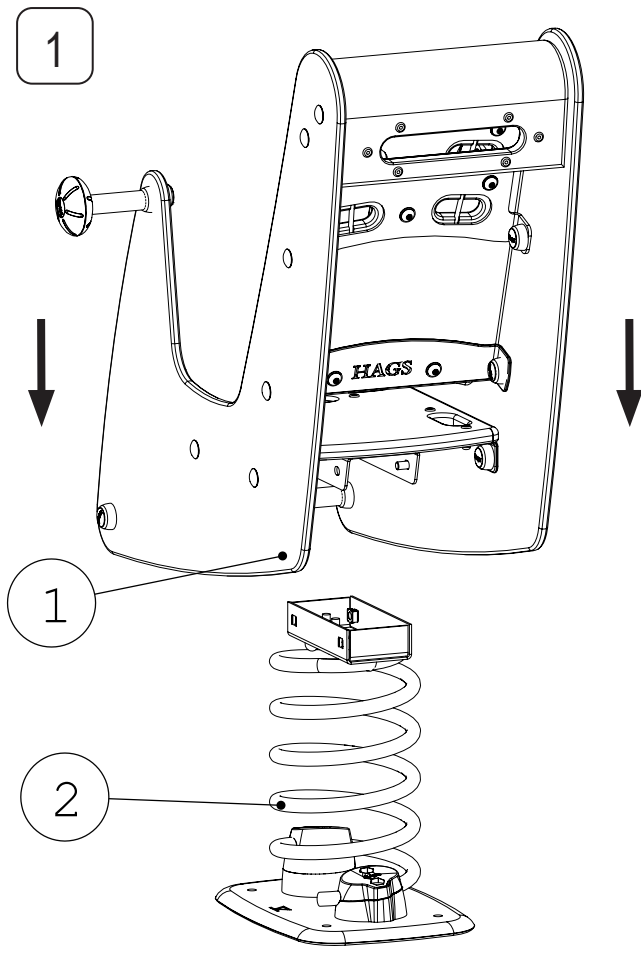
BM
MASW33353



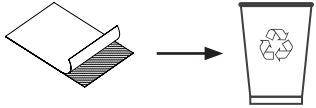
S
MASW32922



OM
MASW34398



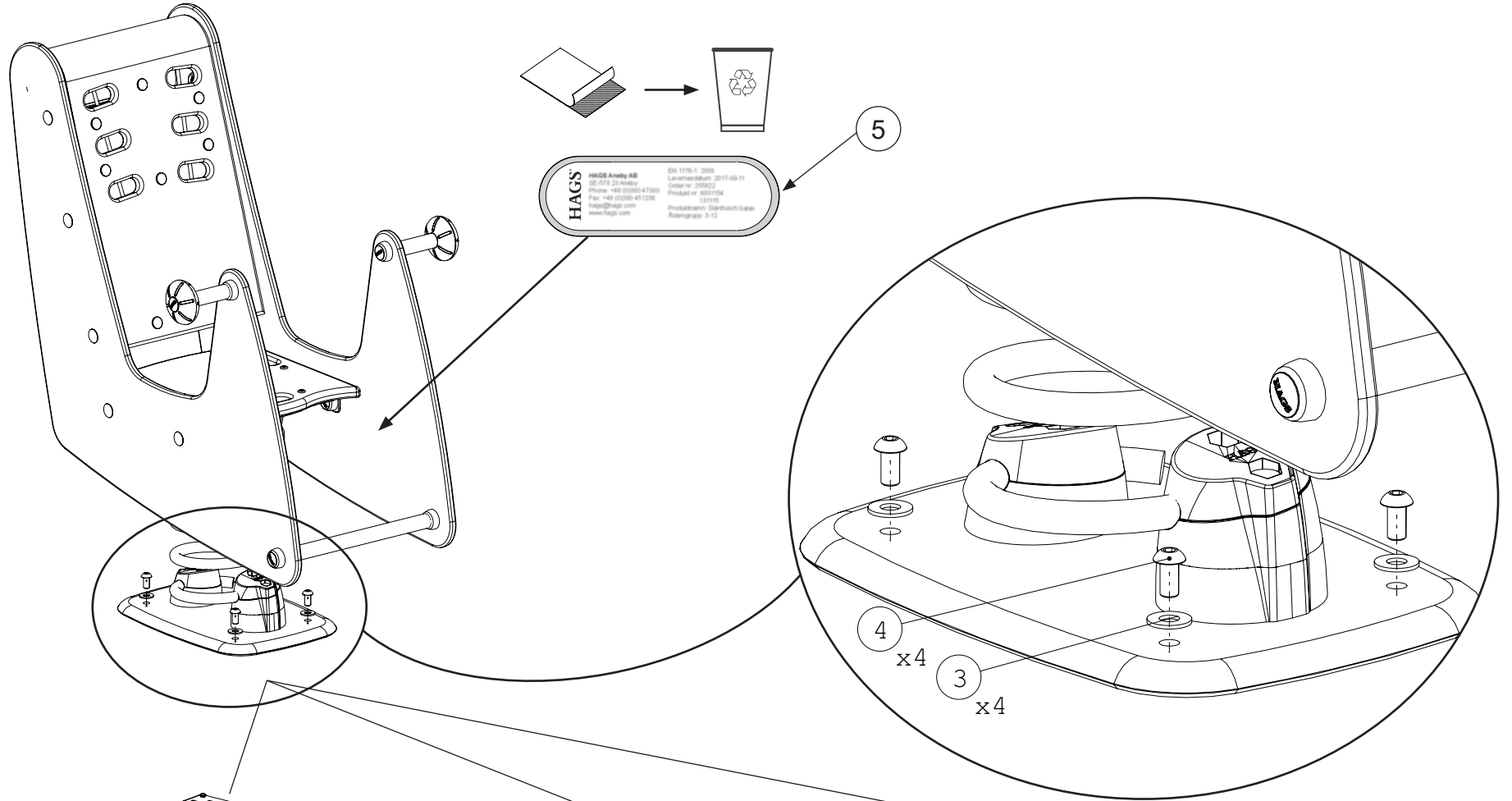
3



HAGS
 HAGS Analyt AB
 SE-575 23 Annelöv
 Phone: +46 (0)200 47300
 Fax: +46 (0)200 451200
 hags@hags.com
 www.hags.com

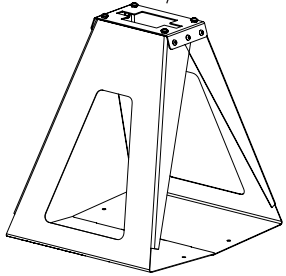
EN 1570-1:2008
 Lovningsdatum: 2017-09-11
 Order nr: 259622
 Produktions: 8001254
 121150
 Produktions: Skarvasken Data
 Återgrupp: 3-12

5

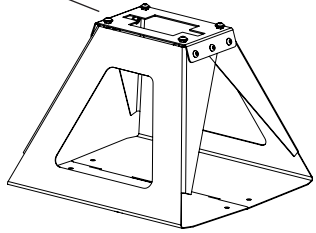


4
x4

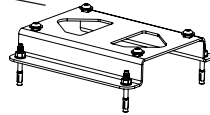
3
x4



BM

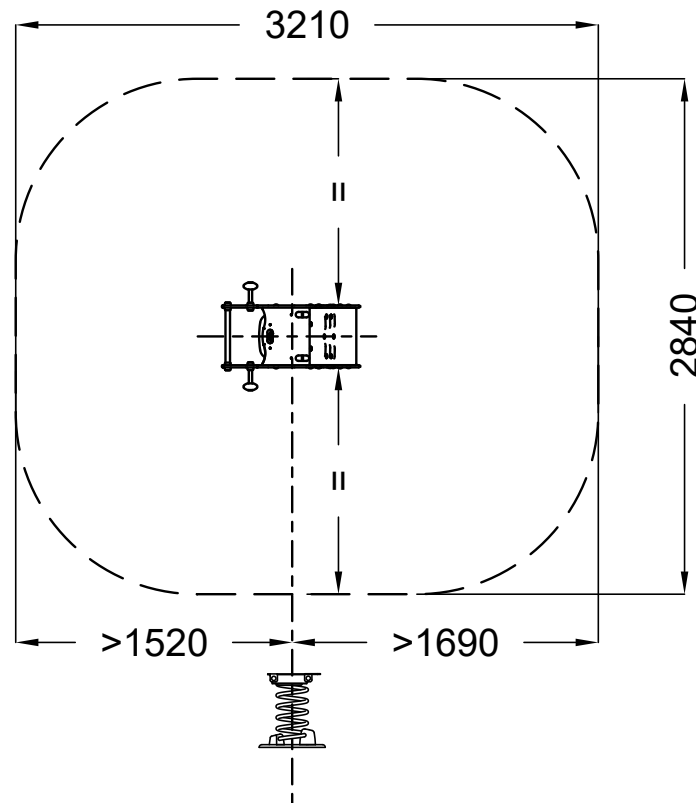
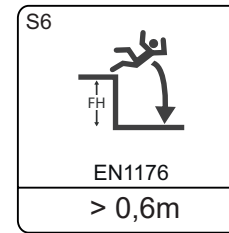


S

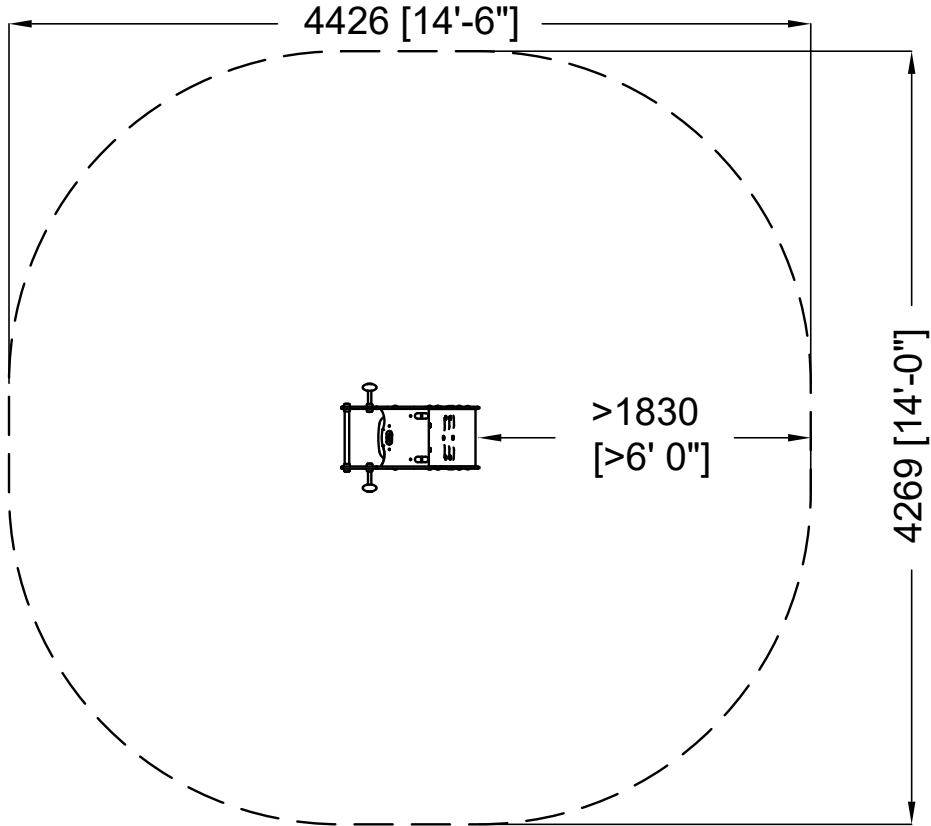
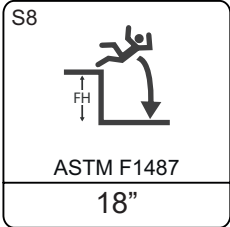


OM

A



B



! WARNING
 Playground equipment installed over hard surfaces such as concrete, asphalt or packed earth may result in serious injury or death from falls. Make sure that appropriate safety surfacing is present, before allowing children to play.

! WARNING
 Children have strangled and died while their clothes caught on slides and other playground equipment. Before allowing children to play, remove helmets, scarves, necklaces, hood cords, neck drawstrings, and mittens connected through the sleeves. Also, remove any foreign ropes, strings, or shoe laces that may be tied to equipment

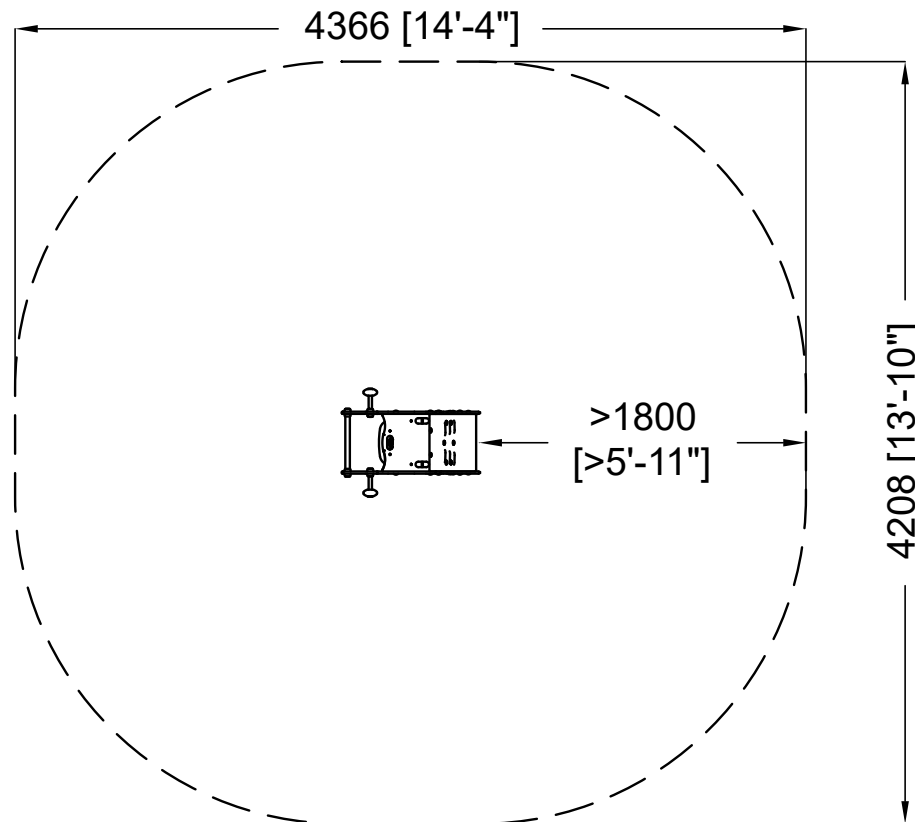
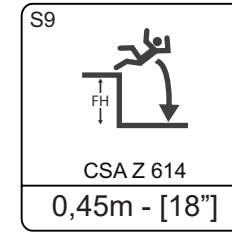
! WARNING
 All playground equipment and rubber surfacing may become hot enough to cause burns. Check for hot surfaces before allowing children to play. Children should wear appropriate shoes at all times.

! WARNING
 Playing tag or running on or under playground equipment can lead to serious injuries from falls, collisions, and head strikes. do not run on or under playground equipment. Pay attention while playing and be careful.

“play smart” rules

- ✓ Do not play on broken or damaged equipment. Report it.
- ✓ Do not play without adequate safety surfacing below and around equipment.
- ✓ No helmets, necklaces or drawstrings should be worn while on equipment.
- ✓ Be careful of hot paly surfaces and always wear shoes while playing.
- ✓ Do not play tag or run on playground equipment and do not jump off of equipment.
- ✓ Watch your head! Do not run under bridges, decks, stairs, or other equipment.
- ✓ Be careful when equipment is wet. Do not play on snowy or icy equipment.
- ✓ Do not climb on roofs, railings, or posts, or on top of crawl through tube slides.
- ✓ Slide sitting down, feet first, and one at a time. Do not slide up chutes or tubes.
- ✓ Adults – do not slide with a child on your lap. It can injure your child’s legs.
- ✓ Before letting go of overhead bars, hang down still, bend your knees a little and drop straight down with both feet.
- ✓ Swing sitting down and do not jump out while swinging. Do not twist chains.

C



! WARNING
Playground equipment installed over hard surfaces such as concrete, asphalt or packed earth may result in serious injury or death from falls. Make sure that appropriate safety surfacing is present, before allowing children to play.

! WARNING
Children have strangled and died while their clothes caught on slides and other playground equipment. Before allowing children to play, remove helmets, scarves, necklaces, hood cords, neck drawstrings, and mittens connected through the sleeves. Also, remove any foreign ropes, strings, or shoe laces that may be tied to equipment

! WARNING
All playground equipment and rubber surfacing may become hot enough to cause burns. Check for hot surfaces before allowing children to play. Children should wear appropriate shoes at all times.

! WARNING
Playing tag or running on or under playground equipment can lead to serious injuries from falls, collisions, and head strikes. do not run on or under playground equipment. Pay attention while playing and be careful.

“play smart” rules

- ✓ Do not play on broken or damaged equipment. Report it.
- ✓ Do not play without adequate safety surfacing below and around equipment.
- ✓ No helmets, necklaces or drawstrings should be worn while on equipment.
- ✓ Be careful of hot paly surfaces and always wear shoes while playing.
- ✓ Do not play tag or run on playground equipment and do not jump off of equipment.
- ✓ Watch your head! Do not run under bridges, decks, stairs, or other equipment.
- ✓ Be careful when equipment is wet. Do not play on snowy or icy equipment.
- ✓ Do not climb on roofs, railings, or posts, or on top of crawl through tube slides.
- ✓ Slide sitting down, feet first, and one at a time. Do not slide up chutes or tubes.
- ✓ Adults – do not slide with a child on your lap. It can injure your child’s legs.
- ✓ Before letting go of overhead bars, hang down still, bend your knees a little and drop straight down with both feet.
- ✓ Swing sitting down and do not jump out while swinging. Do not twist chains.