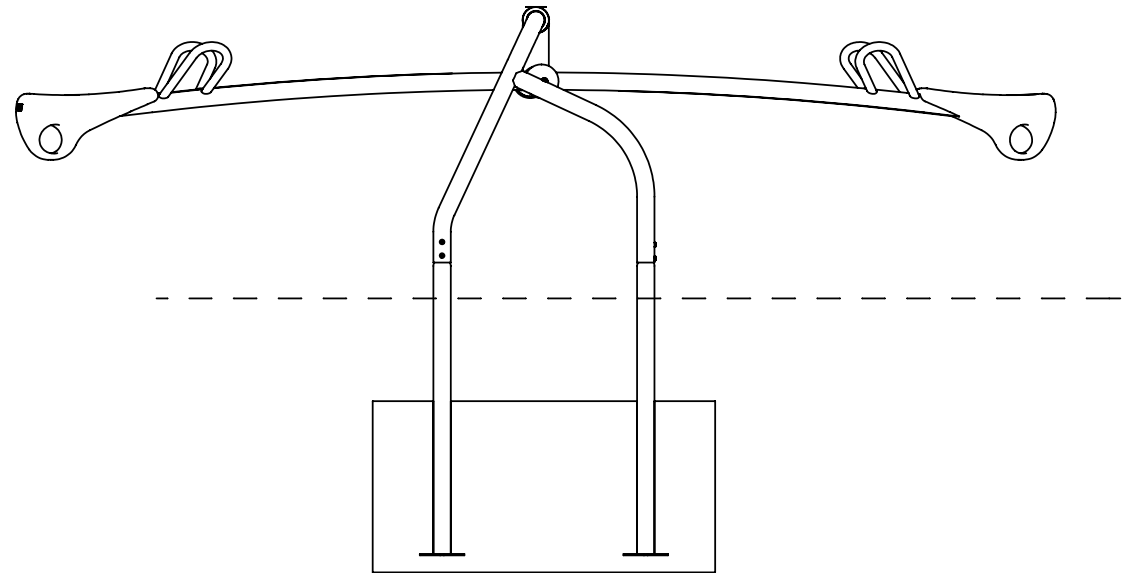
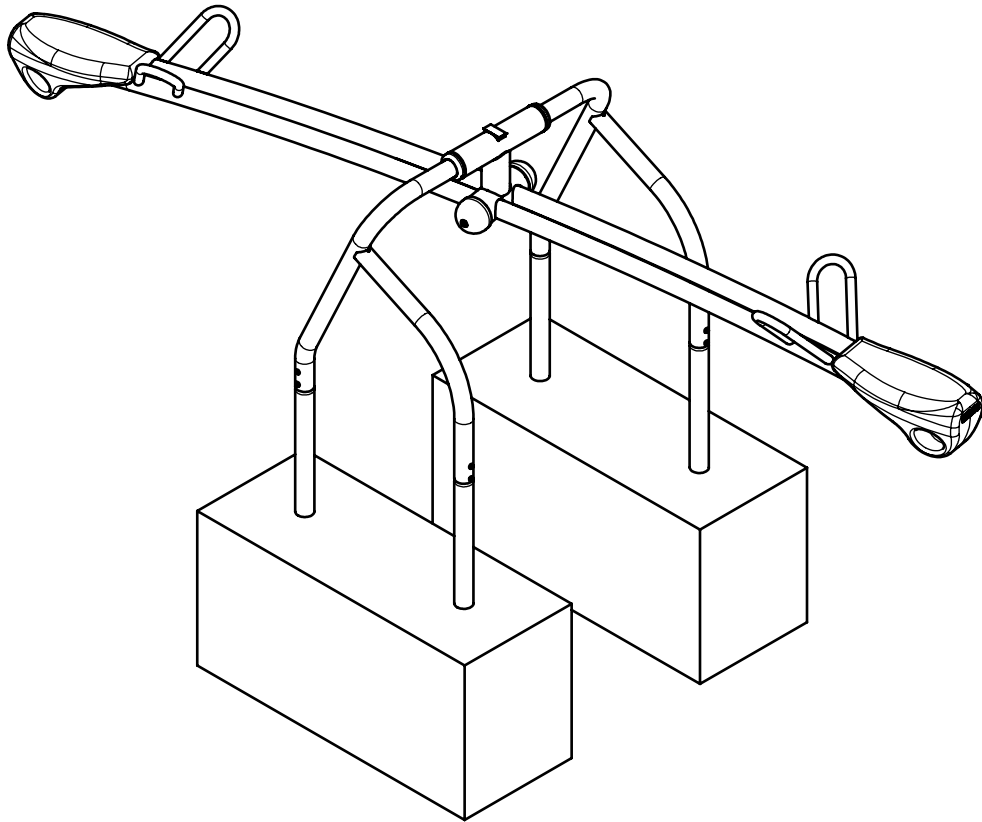


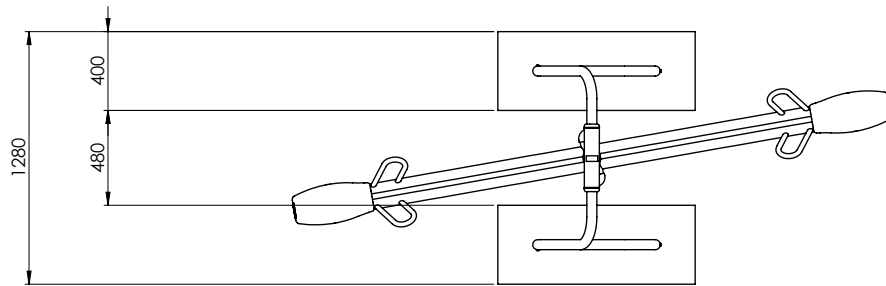
# HAGS<sup>®</sup>

## Seesaw Vippy

MASW70768CC

**CC/BM**





S19

S17

S12

kg  
60

S20

1 x 1

S9

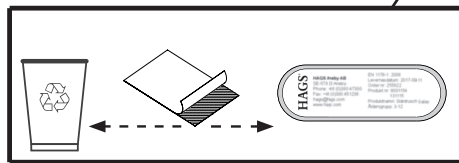
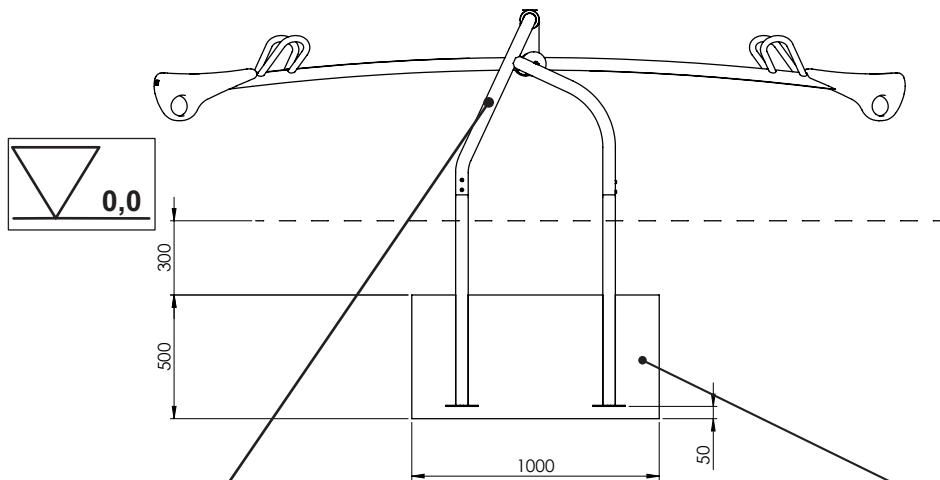
CSA Z 614  
1.1m [ 3'6" ]

S8

ASTM F1487  
3'6"

S6

EN1176  
1.1m



S25

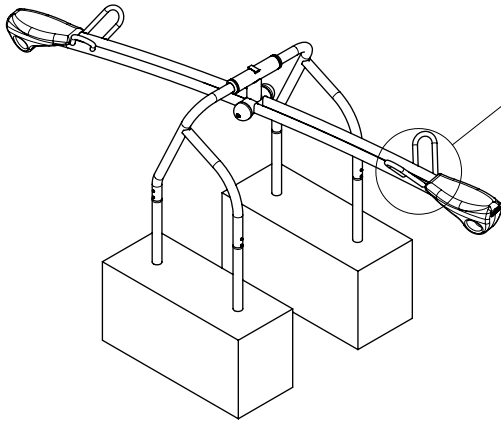
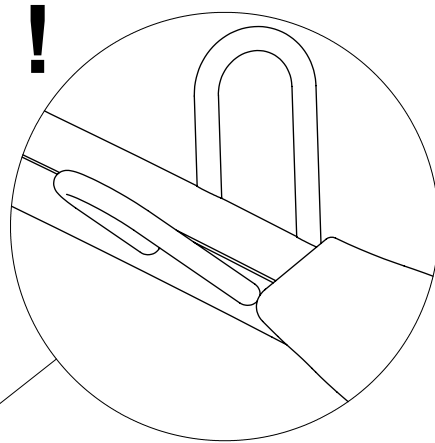
S2 (50mm)  
≥C20-25

7 x 24

101



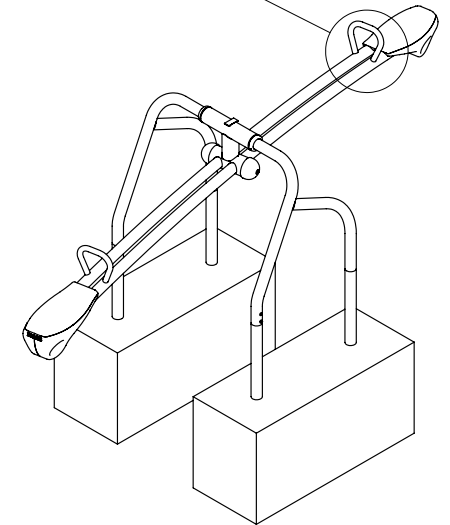
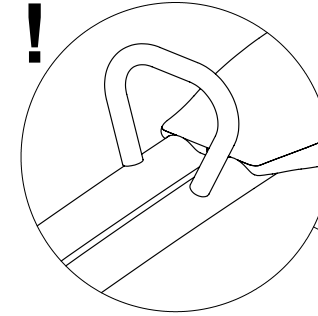
**EN 1176**

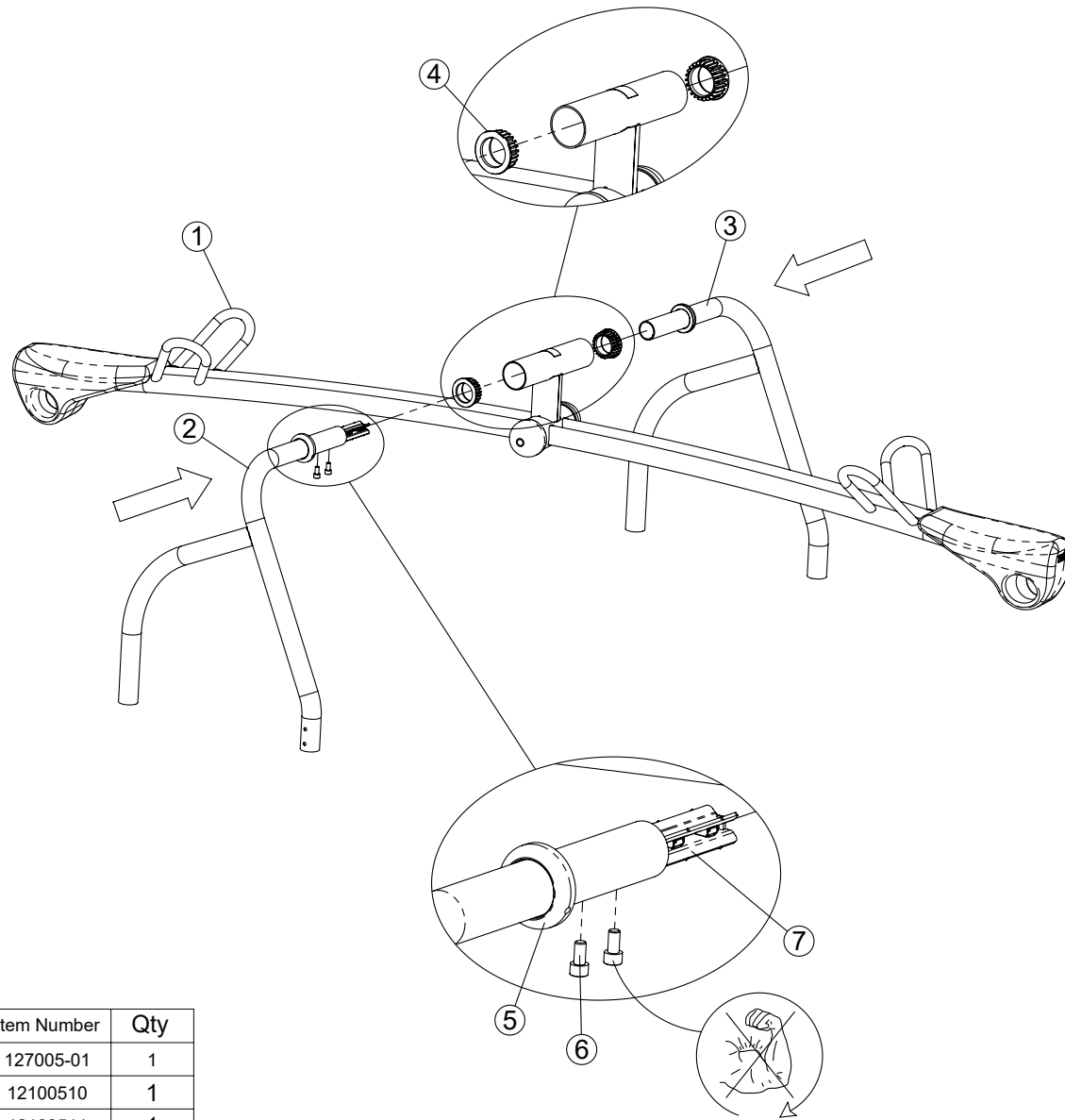


**ASTM F1487**

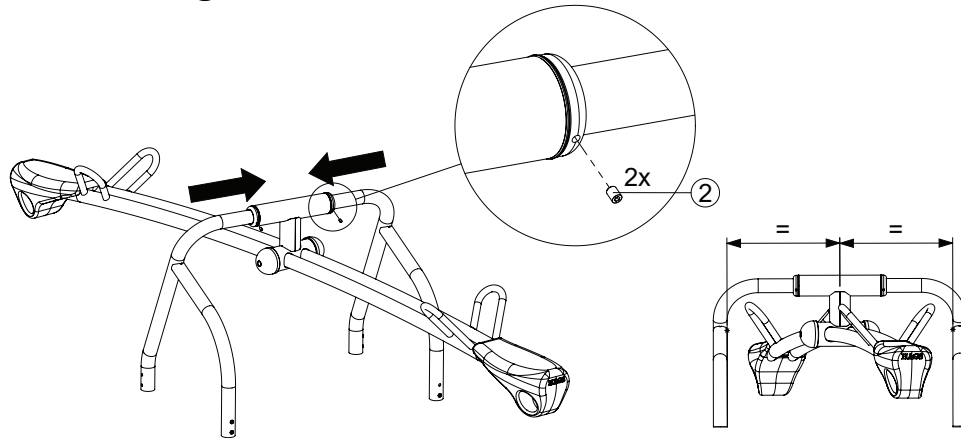
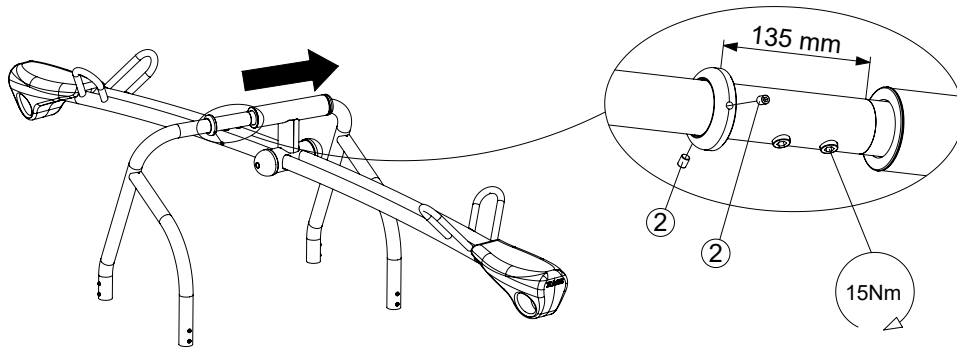
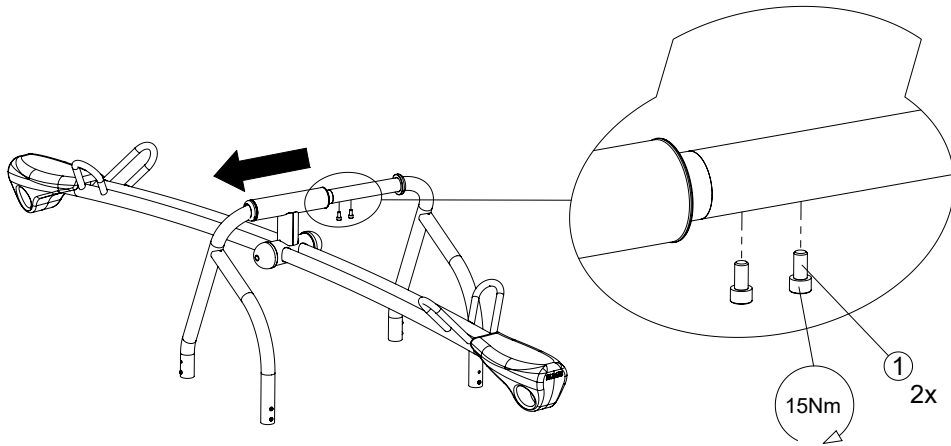


**CSA Z 614**

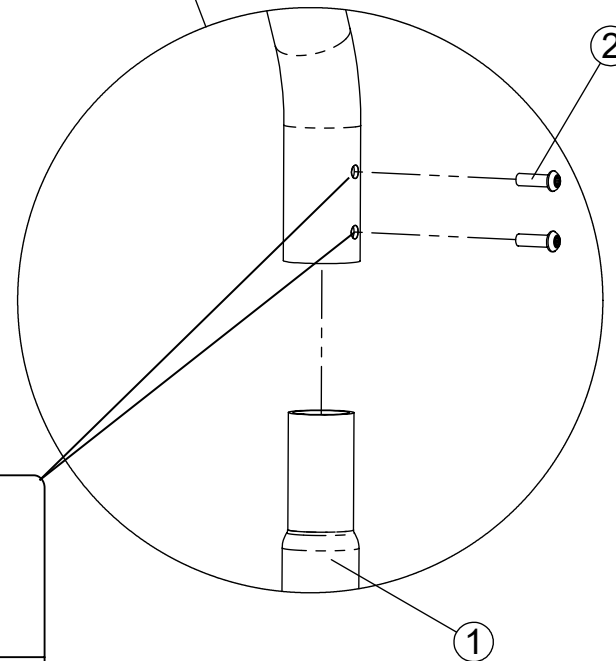
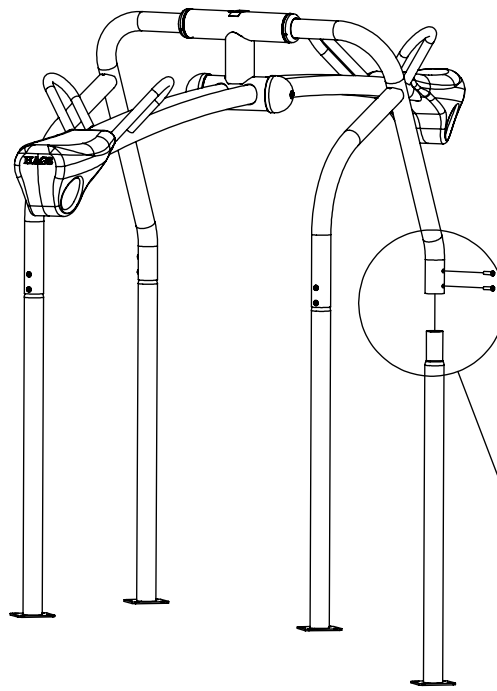




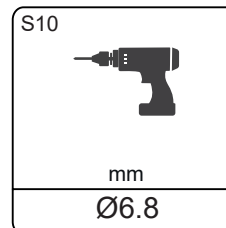
NR.	Description MA	Item Number	Qty
1		127005-01	1
2	Ø50, 645x708x440	12100510	1
3	Ø50, 645x708x440	12100511	1
4	Ø78x30 mm	260456-02	2
5	Ø76x18 mm	260937	2
6	MC6S M10x20 mm	302649	2
7	Locking Device 233x35x25 mm	714707	1

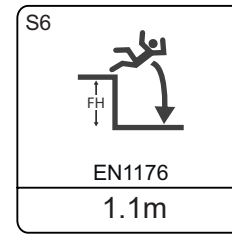


NR	NAME/DIMENSION	ART.NR	QTY
1	MC6S M10x20 mm	302649	4
2	SK6SS M8x10 mm	312505	4

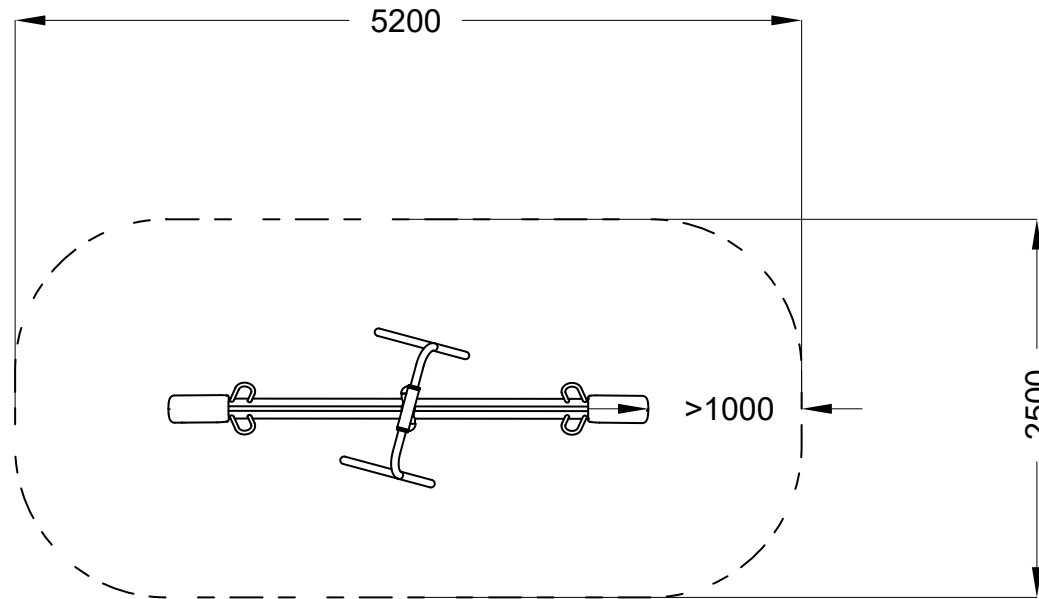


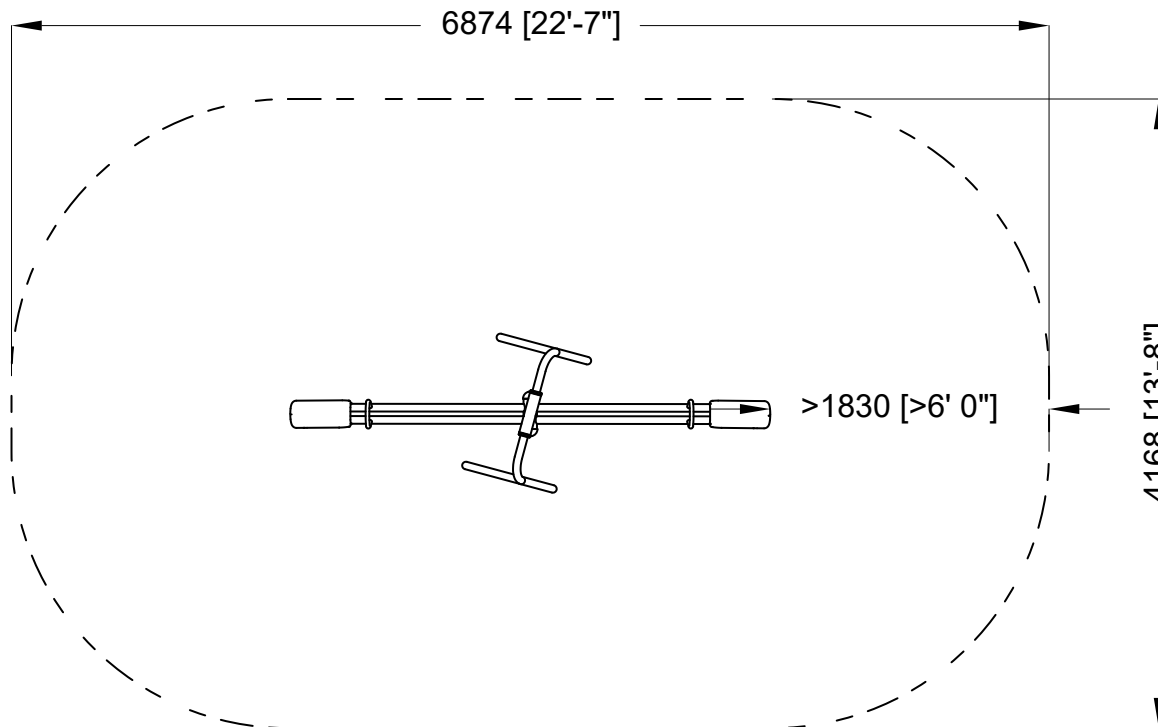
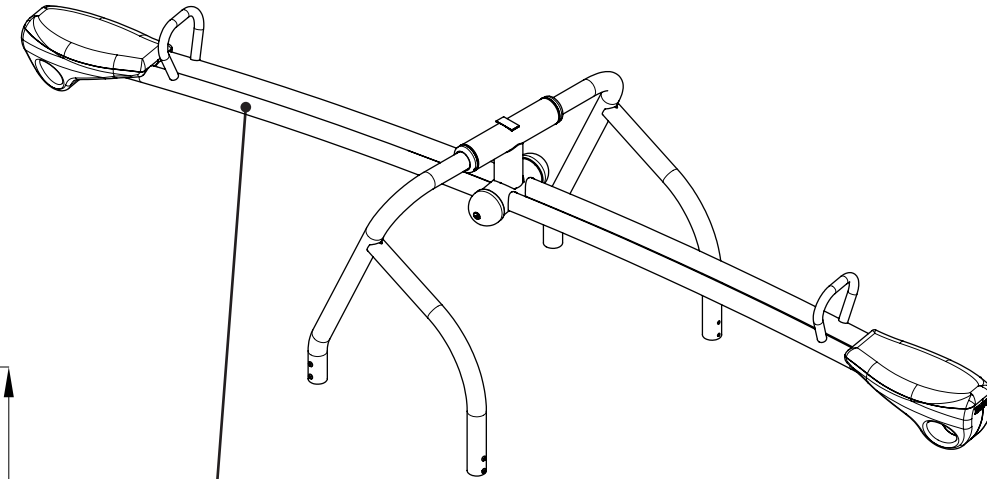
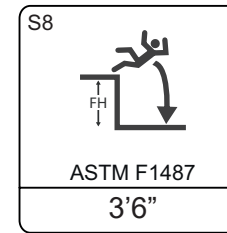
NR.	Description MA	Item Number	Qty
1	Ø50x890	12100532	4
2	KTS-GF M8x25	8008506	8





**EN 1176**





**WARNING**  
Playground equipment installed over hard surfaces such as concrete, asphalt or packed earth may result in serious injury or death from falls. Make sure that appropriate safety surfacing is present, before allowing children to play.

**WARNING**  
Children have strangled and died while their clothes caught on slides and other playground equipment. Before allowing children to play, remove helmets, scarves, necklaces, hood cords, neck drawstrings, and mittens connected through the sleeves. Also, remove any foreign ropes, strings, or shoe laces that may be tied to equipment

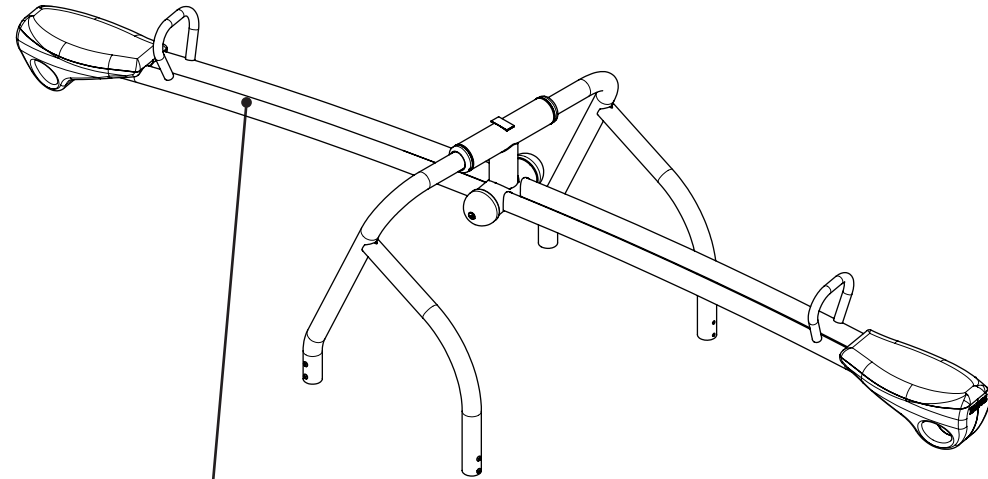
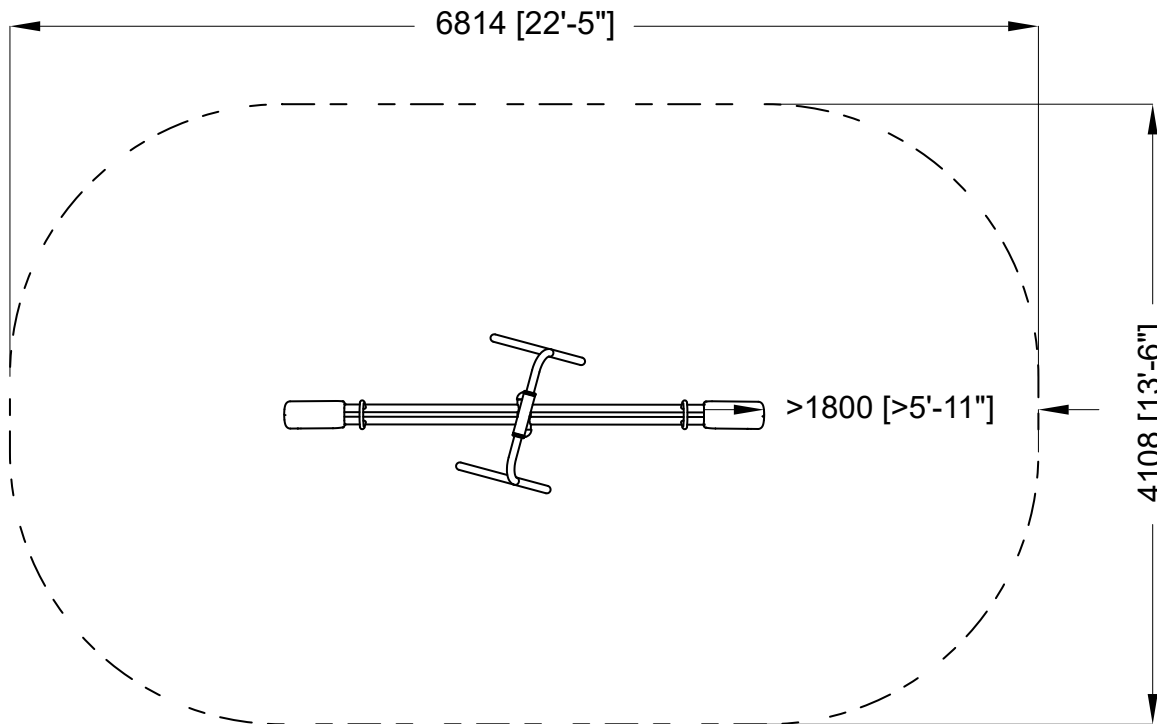
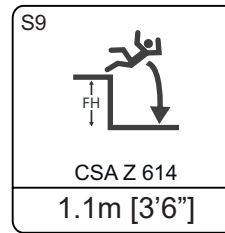
**WARNING**  
All playground equipment and rubber surfacing may become hot enough to cause burns. Check for hot surfaces before allowing children to play. Children should wear appropriate shoes at all times.

**WARNING**  
Playing tag or running on or under playground equipment can lead to serious injuries from falls, collisions, and head strikes. do not run on or under playground equipment. Pay attention while playing and be careful.

**“play smart” rules**

- ✓ Do not play on broken or damaged equipment. Report it.
- ✓ Do not play without adequate safety surfacing below and around equipment.
- ✓ No helmets, necklaces or drawstrings should be worn while on equipment.
- ✓ Be careful of hot paly surfaces and always wear shoes while playing.
- ✓ Do not play tag or run on playground equipment and do not jump off of equipment.
- ✓ Watch your head! Do not run under bridges, decks, stairs, or other equipment.
- ✓ Be careful when equipment is wet. Do not play on snowy or icy equipment.
- ✓ Do not climb on roofs, railings, or posts, or on top of crawl through tube slides.
- ✓ Slide sitting down, feet first, and one at a time. Do not slide up chutes or tubes.
- ✓ Adults – do not slide with a child on your lap. It can injure your child’s legs.
- ✓ Before letting go of overhead bars, hang down still, bend your knees a little and drop straight down with both feet.
- ✓ Swing sitting down and do not jump out while swinging. Do not twist chains.





**WARNING**  
 Playground equipment installed over hard surfaces such as concrete, asphalt or packed earth may result in serious injury or death from falls. Make sure that appropriate safety surfacing is present, before allowing children to play.

**WARNING**  
 Children have strangled and died while their clothes caught on slides and other playground equipment. Before allowing children to play, remove helmets, scarves, necklaces, hood cords, neck drawstrings, and mittens connected through the sleeves. Also, remove any foreign ropes, strings, or shoe laces that may be tied to equipment

**WARNING**  
 All playground equipment and rubber surfacing may become hot enough to cause burns. Check for hot surfaces before allowing children to play. Children should wear appropriate shoes at all times.

**WARNING**  
 Playing tag or running on or under playground equipment can lead to serious injuries from falls, collisions, and head strikes. Do not run on or under playground equipment. Pay attention while playing and be careful.

**“play smart” rules**

- ✓ Do not play on broken or damaged equipment. Report it.
- ✓ Do not play without adequate safety surfacing below and around equipment.
- ✓ No helmets, necklaces or drawstrings should be worn while on equipment.
- ✓ Be careful of hot paly surfaces and always wear shoes while playing.
- ✓ Do not play tag or run on playground equipment and do not jump off of equipment.
- ✓ Watch your head! Do not run under bridges, decks, stairs, or other equipment.
- ✓ Be careful when equipment is wet. Do not play on snowy or icy equipment.
- ✓ Do not climb on roofs, railings, or posts, or on top of crawl through tube slides.
- ✓ Slide sitting down, feet first, and one at a time. Do not slide up chutes or tubes.
- ✓ Adults – do not slide with a child on your lap. It can injure your child’s legs.
- ✓ Before letting go of overhead bars, hang down still, bend your knees a little and drop straight down with both feet.
- ✓ Swing sitting down and do not jump out while swinging. Do not twist chains.